

# Associated Consulting Services (ACS)

Saint Paul, MN 55127

-- TRAFFIC DATA --

Stinson Blvd at Hennepin Ave\_2019

Ref Pt: 013+00.538

Data Prepared By: ACS

TURNING MOVEMENT COUNT

File Name : Stinson Blvd at Hennepin Ave\_2019

Site Code :

Start Date : 5/15/2019

Page No : 1

Groups Printed- Cars - Trucks

Start Time	Stinson Blvd Southbound				Hennepin Ave Westbound				18th Ave Northbound				Hennepin Ave Eastbound				Int. Total
	Left	Thru	Right	Peds	Left	Thru	Right	Peds	Left	Thru	Right	Peds	Left	Thru	Right	Peds	
06:00	6	10	11	0	6	44	18	1	2	4	0	0	22	54	1	0	179
06:15	13	8	18	0	3	81	31	3	6	5	3	0	38	78	1	3	291
06:30	12	18	20	0	6	97	29	2	6	14	1	0	39	104	3	3	354
06:45	13	16	12	1	1	118	50	2	7	22	3	1	48	92	6	4	396
Total	44	52	61	1	16	340	128	8	21	45	7	1	147	328	11	10	1220
07:00	15	23	24	0	11	148	35	5	7	7	4	0	83	103	8	2	475
07:15	21	24	16	4	9	148	43	1	13	19	2	1	81	131	10	7	530
07:30	23	32	24	0	11	169	42	11	14	21	6	2	96	163	9	13	636
07:45	17	41	24	2	7	179	59	4	8	19	7	2	88	200	3	9	669
Total	76	120	88	6	38	644	179	21	42	66	19	5	348	597	30	31	2310
08:00	15	40	21	0	15	169	59	5	13	21	4	2	83	140	3	4	594
08:15	14	31	28	4	8	178	56	6	8	23	1	1	78	176	2	8	622
08:30	22	37	24	1	11	162	54	7	9	22	1	0	81	146	4	3	584
08:45	18	35	31	5	15	150	57	8	11	29	0	2	78	153	9	5	606
Total	69	143	104	10	49	659	226	26	41	95	6	5	320	615	18	20	2406
09:00	30	30	28	2	7	142	39	10	4	16	8	2	75	155	6	5	559
09:15	12	18	24	5	9	116	36	4	9	16	3	1	59	105	8	2	427
09:30	15	24	21	5	4	107	22	6	12	15	6	0	37	149	5	3	431
09:45	20	18	32	0	8	91	27	6	8	18	2	0	30	98	14	0	372
Total	77	90	105	12	28	456	124	26	33	65	19	3	201	507	33	10	1789
10:00	12	16	21	3	7	95	20	5	12	21	6	0	22	108	3	0	351
10:15	19	19	21	2	3	102	20	1	5	19	1	1	35	108	5	2	363
10:30	17	20	34	0	7	101	29	2	6	22	4	0	41	98	7	1	389
10:45	41	16	28	0	8	93	22	4	10	20	2	2	43	121	12	4	426
Total	89	71	104	5	25	391	91	12	33	82	13	3	141	435	27	7	1529
11:00	28	30	30	2	4	102	31	3	5	18	5	1	43	83	13	6	404
11:15	37	28	29	3	5	107	37	2	6	25	8	0	50	114	6	1	458
11:30	35	28	41	1	9	107	40	4	10	16	7	1	41	134	8	6	488
11:45	28	22	37	6	9	122	32	9	8	27	3	3	39	114	9	9	477
Total	128	108	137	12	27	438	140	18	29	86	23	5	173	445	36	22	1827
12:00	32	33	36	3	10	109	36	11	9	26	7	4	45	125	9	11	506
12:15	34	24	35	2	11	116	36	1	11	31	6	1	44	112	8	2	474
12:30	40	31	38	3	11	107	46	7	13	25	3	2	42	129	7	9	513
12:45	36	30	46	2	10	122	37	33	7	33	10	0	47	132	12	3	560
Total	142	118	155	10	42	454	155	52	40	115	26	7	178	498	36	25	2053
13:00	28	22	38	2	8	105	28	3	8	29	4	2	54	104	11	13	459
13:15	37	28	39	4	7	110	24	8	6	27	7	1	46	103	7	3	457
13:30	13	25	24	0	7	113	28	5	11	34	9	2	38	130	12	2	453
13:45	28	19	46	0	5	100	34	4	12	25	9	0	33	138	7	0	460
Total	106	94	147	6	27	428	114	20	37	115	29	5	171	475	37	18	1829
14:00	30	18	38	1	2	125	32	5	5	22	3	1	32	133	10	4	461
14:15	41	20	40	3	2	135	36	2	14	27	5	1	32	151	9	2	520
14:30	49	8	44	2	5	99	27	5	11	30	4	1	38	121	8	1	453

# Associated Consulting Services (ACS)

Saint Paul, MN 55127

-- TRAFFIC DATA --

Stinson Blvd at Hennepin Ave\_2019

Ref Pt: 013+00.538

Data Prepared By: ACS

TURNING MOVEMENT COUNT

File Name : Stinson Blvd at Hennepin Ave\_2019

Site Code :

Start Date : 5/15/2019

Page No : 2

Groups Printed- Cars - Trucks

Start Time	Stinson Blvd Southbound				Hennepin Ave Westbound				18th Ave Northbound				Hennepin Ave Eastbound				Int. Total
	Left	Thru	Right	Peds	Left	Thru	Right	Peds	Left	Thru	Right	Peds	Left	Thru	Right	Peds	
14:45	36	24	36	2	10	114	28	5	2	24	4	1	37	118	17	3	461
Total	156	70	158	8	19	473	123	17	32	103	16	4	139	523	44	10	1895
15:00	64	22	86	0	12	149	30	3	15	32	11	3	37	128	13	0	605
15:15	50	12	64	1	8	169	30	7	17	34	9	1	37	185	11	1	636
15:30	64	24	72	1	5	179	35	4	8	42	8	0	48	198	16	6	710
15:45	68	15	68	1	5	179	36	12	2	43	12	1	46	274	12	2	776
Total	246	73	290	3	30	676	131	26	42	151	40	5	168	785	52	9	2727
16:00	64	32	79	1	10	203	31	7	4	47	8	2	41	273	10	6	818
16:15	67	39	71	6	6	230	38	17	11	43	21	1	39	267	9	7	872
16:30	85	28	90	4	7	213	32	10	8	35	9	0	45	323	13	5	907
16:45	75	35	86	4	12	237	33	17	18	58	11	0	46	338	16	7	993
Total	291	134	326	15	35	883	134	51	41	183	49	3	171	1201	48	25	3590
17:00	74	43	105	3	3	243	30	16	18	40	14	1	51	313	26	6	986
17:15	65	32	66	2	19	190	38	15	15	55	11	0	55	296	11	6	876
17:30	56	27	59	3	13	170	36	14	17	39	15	1	38	263	8	8	767
17:45	40	22	50	2	11	212	32	7	18	35	9	4	49	269	14	6	780
Total	235	124	280	10	46	815	136	52	68	169	49	6	193	1141	59	26	3409
Grand Total	1659	1197	1955	98	382	6657	1681	329	459	1275	296	52	2350	7550	431	213	26584
Apprch %	33.8	24.4	39.8	2	4.2	73.6	18.6	3.6	22	61.2	14.2	2.5	22.3	71.6	4.1	2	
Total %	6.2	4.5	7.4	0.4	1.4	25	6.3	1.2	1.7	4.8	1.1	0.2	8.8	28.4	1.6	0.8	
Cars	1566	1176	1834	98	366	6113	1571	329	445	1247	281	52	2201	6950	400	213	24842
% Cars	94.4	98.2	93.8	100	95.8	91.8	93.5	100	96.9	97.8	94.9	100	93.7	92.1	92.8	100	93.4
Trucks	93	21	121	0	16	544	110	0	14	28	15	0	149	600	31	0	1742
% Trucks	5.6	1.8	6.2	0	4.2	8.2	6.5	0	3.1	2.2	5.1	0	6.3	7.9	7.2	0	6.6

# Associated Consulting Services (ACS)

Saint Paul, MN 55127

-- TRAFFIC DATA --

Stinson Blvd at Hennepin Ave\_2019

Ref Pt: 013+00.538

Data Prepared By: ACS

TURNING MOVEMENT COUNT

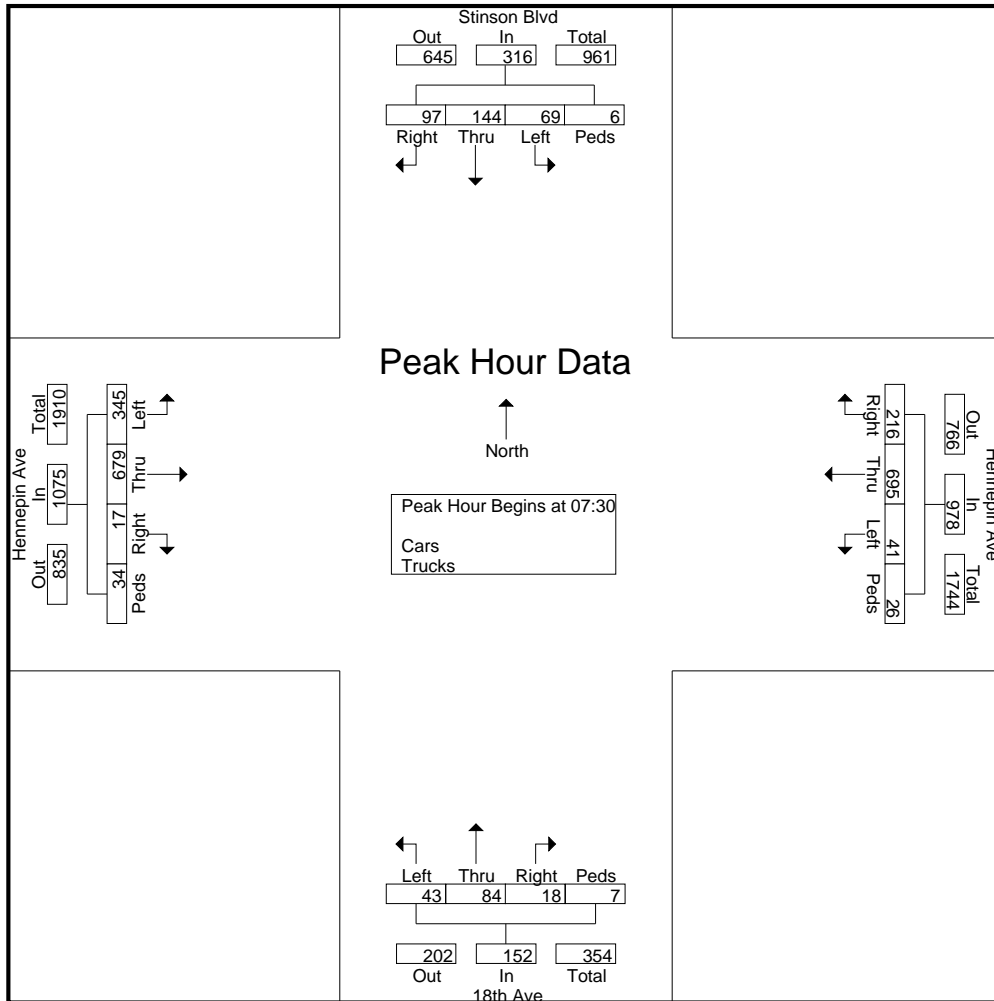
File Name : Stinson Blvd at Hennepin Ave\_2019

Site Code :

Start Date : 5/15/2019

Page No : 3

Start Time	Stinson Blvd Southbound					Hennepin Ave Westbound					18th Ave Northbound					Hennepin Ave Eastbound					Int. Total
	Left	Thru	Right	Peds	App. Total	Left	Thru	Right	Peds	App. Total	Left	Thru	Right	Peds	App. Total	Left	Thru	Right	Peds	App. Total	
Peak Hour Analysis From 06:00 to 11:45 - Peak 1 of 1																					
Peak Hour for Entire Intersection Begins at 07:30																					
07:30	23	32	24	0	79	11	169	42	11	233	14	21	6	2	43	96	163	9	13	281	636
07:45	17	41	24	2	84	7	179	59	4	249	8	19	7	2	36	88	200	3	9	300	669
08:00	15	40	21	0	76	15	169	59	5	248	13	21	4	2	40	83	140	3	4	230	594
08:15	14	31	28	4	77	8	178	56	6	248	8	23	1	1	33	78	176	2	8	264	622
Total Volume	69	144	97	6	316	41	695	216	26	978	43	84	18	7	152	345	679	17	34	1075	2521
% App. Total	21.8	45.6	30.7	1.9		4.2	71.1	22.1	2.7		28.3	55.3	11.8	4.6		32.1	63.2	1.6	3.2		
PHF	.750	.878	.866	.375	.940	.683	.971	.915	.591	.982	.768	.913	.643	.875	.884	.898	.849	.472	.654	.896	.942



# Associated Consulting Services (ACS)

Saint Paul, MN 55127

-- TRAFFIC DATA --

Stinson Blvd at Hennepin Ave\_2019

Ref Pt: 013+00.538

Data Prepared By: ACS

TURNING MOVEMENT COUNT

File Name : Stinson Blvd at Hennepin Ave\_2019

Site Code :

Start Date : 5/15/2019

Page No : 4

Start Time	Stinson Blvd Southbound					Hennepin Ave Westbound					18th Ave Northbound					Hennepin Ave Eastbound					Int. Total
	Left	Thru	Right	Peds	App. Total	Left	Thru	Right	Peds	App. Total	Left	Thru	Right	Peds	App. Total	Left	Thru	Right	Peds	App. Total	
Peak Hour Analysis From 12:00 to 17:45 - Peak 1 of 1																					
Peak Hour for Entire Intersection Begins at 16:30																					
16:30	85	28	90	4	207	7	213	32	10	262	8	35	9	0	52	45	323	13	5	386	907
16:45	75	35	86	4	200	12	237	33	17	299	18	58	11	0	87	46	338	16	7	407	993
17:00	74	43	105	3	225	3	243	30	16	292	18	40	14	1	73	51	313	26	6	396	986
17:15	65	32	66	2	165	19	190	38	15	262	15	55	11	0	81	55	296	11	6	368	876
Total Volume	299	138	347	13	797	41	883	133	58	1115	59	188	45	1	293	197	1270	66	24	1557	3762
% App. Total	37.5	17.3	43.5	1.6		3.7	79.2	11.9	5.2		20.1	64.2	15.4	0.3		12.7	81.6	4.2	1.5		
PHF	.879	.802	.826	.813	.886	.539	.908	.875	.853	.932	.819	.810	.804	.250	.842	.895	.939	.635	.857	.956	.947

