



# MINNESOTA DEPT OF TRANSPORTATION

TRAFFIC COLLECTION - METRO

Location: I-35W AT CO RD-96 WEST RAMPS

File Name : I-35W AT CO RD-96 AM PM 2006

REF.PT: 027 + 00 559

Site Code : 00000000

JAMAR#632\DR

Start Date : 7/19/2006

TURN MOVEMENT COUNT

Page No : 1

Groups Printed- Cars & Trucks

Start Time	I 35W SB RAMPS Southbound				CO RD 96 Westbound				I 35W SB RAMPS Northbound				CO RD 96 Eastbound				Int. Total
	Right	Thru	Left	Peds	Right	Thru	Left	Peds	Right	Thru	Left	Peds	Right	Thru	Left	Peds	
06:00	34	0	15	0	0	57	55	0	0	0	0	0	13	15	0	0	189
06:15	47	0	15	0	0	44	62	0	0	0	0	0	10	16	0	0	194
06:30	39	0	8	0	0	93	74	0	0	0	0	0	14	48	0	0	276
06:45	40	0	13	0	0	155	107	0	0	0	0	0	13	52	0	0	380
Total	160	0	51	0	0	349	298	0	0	0	0	0	50	131	0	0	1039
07:00	25	0	12	0	0	109	86	0	0	0	0	0	19	53	0	0	304
07:15	11	0	8	0	0	117	106	0	0	0	0	0	15	80	0	0	337
07:30	29	0	24	0	0	113	118	0	0	0	0	0	10	98	0	0	392
07:45	22	0	17	0	0	138	95	0	0	0	0	0	14	96	0	0	382
Total	87	0	61	0	0	477	405	0	0	0	0	0	58	327	0	0	1415
08:00	44	1	23	0	0	140	123	0	0	0	0	0	21	66	0	0	418
08:15	21	0	22	0	0	66	122	0	0	0	0	0	23	58	0	0	312
08:30	22	1	8	0	0	71	131	0	0	0	0	0	19	42	0	0	294
08:45	32	0	21	0	0	76	130	0	0	0	0	0	25	54	0	0	338
Total	119	2	74	0	0	353	506	0	0	0	0	0	88	220	0	0	1362
15:00	28	0	23	0	0	63	83	0	0	0	0	0	40	102	0	0	339
15:15	21	1	12	0	0	58	119	0	0	0	0	0	30	117	0	0	358
15:30	17	0	11	0	0	50	82	0	0	0	0	0	33	137	0	0	330
15:45	25	0	13	0	0	65	106	0	0	0	0	0	30	135	0	0	374
Total	91	1	59	0	0	236	390	0	0	0	0	0	133	491	0	0	1401
16:00	20	0	13	0	0	54	104	0	0	0	0	0	43	141	0	0	375
16:15	19	0	6	0	0	55	93	0	0	0	0	0	43	155	0	0	371
16:30	12	0	6	0	0	76	111	0	0	0	0	0	32	178	0	0	415
16:45	29	0	9	0	0	71	116	0	0	0	0	0	34	196	0	0	455
Total	80	0	34	0	0	256	424	0	0	0	0	0	152	670	0	0	1616
17:00	17	0	8	0	0	62	101	0	0	0	0	0	43	165	0	0	396
17:15	23	0	3	0	0	57	117	0	0	0	0	0	34	183	0	0	417
17:30	21	0	20	0	0	71	127	0	0	0	0	0	23	153	0	0	415
17:45	20	1	12	0	0	69	97	0	0	0	0	0	24	114	0	0	337
Total	81	1	43	0	0	259	442	0	0	0	0	0	124	615	0	0	1565
Grand Total	618	4	322	0	0	1930	2465	0	0	0	0	0	605	2454	0	0	8398
Apprch %	65.5	0.4	34.1	0	0	43.9	56.1	0	0	0	0	0	19.8	80.2	0	0	
Total %	7.4	0	3.8	0	0	23	29.4	0	0	0	0	0	7.2	29.2	0	0	



# MINNESOTA DEPT OF TRANSPORTATION

TRAFFIC COLLECTION - METRO

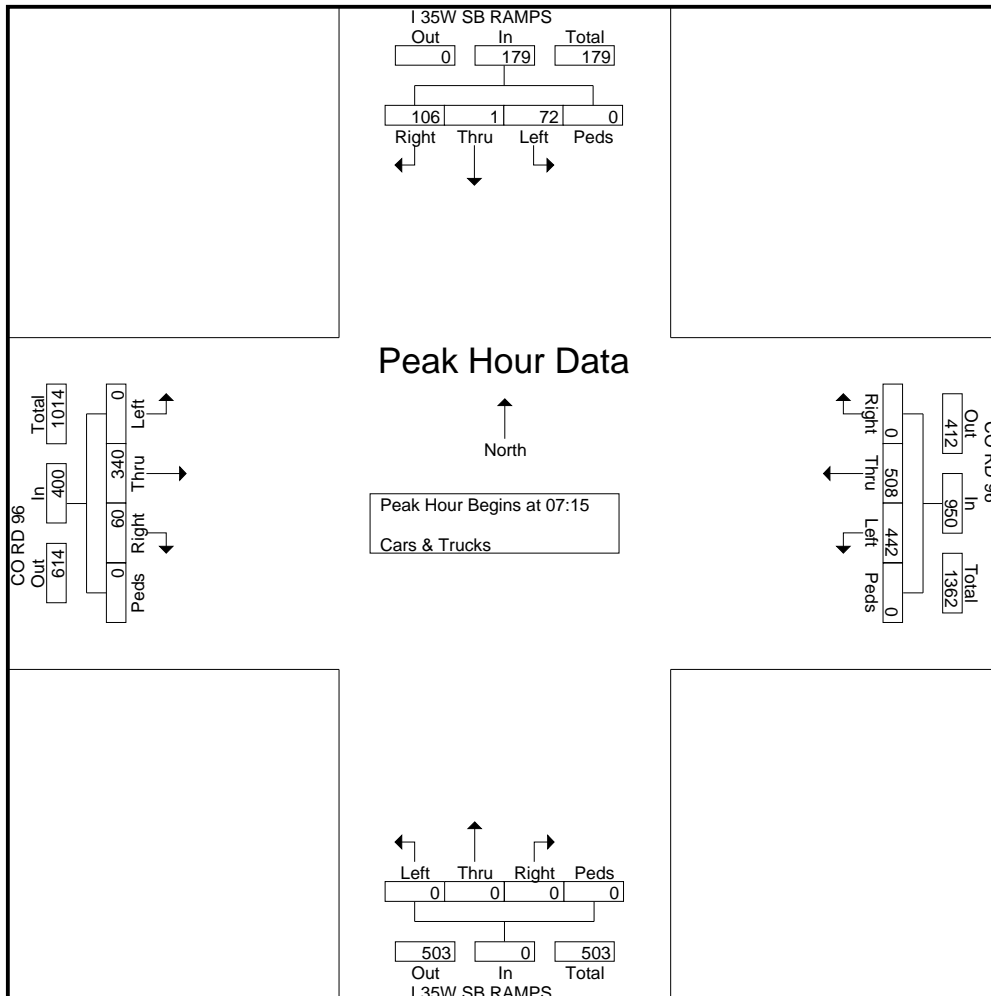
File Name : I-35W AT CO RD-96 AM PM 2006

Site Code : 00000000

Start Date : 7/19/2006

Page No : 2

Start Time	I 35W SB RAMPS Southbound					CO RD 96 Westbound					I 35W SB RAMPS Northbound					CO RD 96 Eastbound					Int. Total
	Right	Thru	Left	Peds	App. Total	Right	Thru	Left	Peds	App. Total	Right	Thru	Left	Peds	App. Total	Right	Thru	Left	Peds	App. Total	
Peak Hour Analysis From 06:00 to 08:45 - Peak 1 of 1																					
Peak Hour for Entire Intersection Begins at 07:15																					
07:15	11	0	8	0	19	0	117	106	0	223	0	0	0	0	0	15	80	0	0	95	337
07:30	29	0	<b>24</b>	0	53	0	113	118	0	231	0	0	0	0	0	10	<b>98</b>	0	0	108	392
07:45	22	0	17	0	39	0	138	95	0	233	0	0	0	0	0	14	96	0	0	<b>110</b>	382
08:00	<b>44</b>	<b>1</b>	23	0	<b>68</b>	0	<b>140</b>	<b>123</b>	0	<b>263</b>	0	0	0	0	0	<b>21</b>	66	0	0	87	<b>418</b>
Total Volume	106	1	72	0	179	0	508	442	0	950	0	0	0	0	0	60	340	0	0	400	1529
% App. Total	59.2	0.6	40.2	0		0	53.5	46.5	0		0	0	0	0		15	85	0	0		
PHF	.602	.250	.750	.000	.658	.000	.907	.898	.000	.903	.000	.000	.000	.000	.000	.714	.867	.000	.000	.909	.914





# MINNESOTA DEPT OF TRANSPORTATION

TRAFFIC COLLECTION - METRO

File Name : I-35W AT CO RD-96 AM PM 2006

Site Code : 00000000

Start Date : 7/19/2006

Page No : 3

Start Time	I 35W SB RAMPS Southbound					CO RD 96 Westbound					I 35W SB RAMPS Northbound					CO RD 96 Eastbound					Int. Total
	Right	Thru	Left	Peds	App. Total	Right	Thru	Left	Peds	App. Total	Right	Thru	Left	Peds	App. Total	Right	Thru	Left	Peds	App. Total	
16:30	12	0	6	0	18	0	<b>76</b>	111	0	<b>187</b>	0	0	0	0	0	32	178	0	0	210	415
16:45	<b>29</b>	0	<b>9</b>	0	<b>38</b>	0	71	116	0	187	0	0	0	0	0	34	<b>196</b>	0	0	<b>230</b>	<b>455</b>
17:00	17	0	8	0	25	0	62	101	0	163	0	0	0	0	0	<b>43</b>	165	0	0	208	396
17:15	23	0	3	0	26	0	57	<b>117</b>	0	174	0	0	0	0	0	34	183	0	0	217	417
Total Volume	81	0	26	0	107	0	266	445	0	711	0	0	0	0	0	143	722	0	0	865	1683
% App. Total	75.7	0	24.3	0		0	37.4	62.6	0		0	0	0	0		16.5	83.5	0	0		
PHF	.698	.000	.722	.000	.704	.000	.875	.951	.000	.951	.000	.000	.000	.000	.000	.831	.921	.000	.000	.940	.925

Peak Hour Analysis From 15:00 to 17:45 - Peak 1 of 1

Peak Hour for Entire Intersection Begins at 16:30

