



# SRF Consulting Group, Inc.

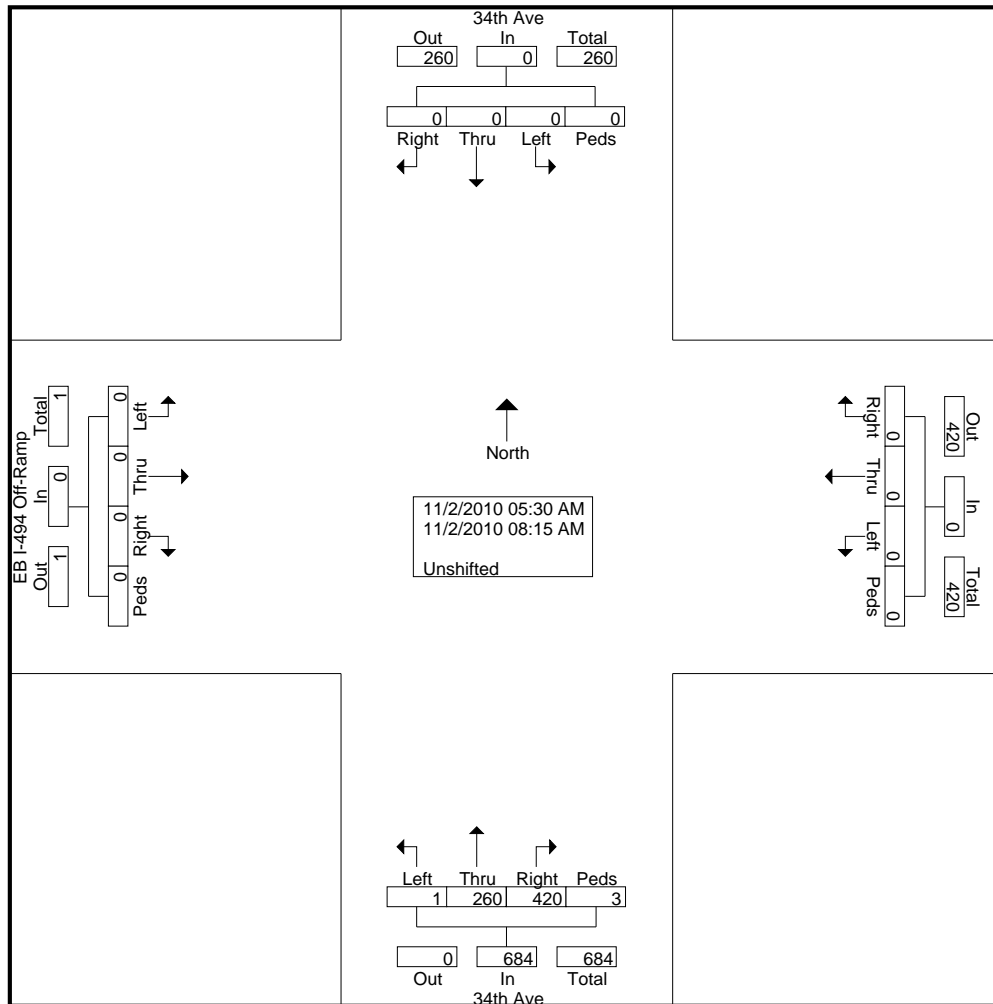
One Carlson Pkwy N, Suite 150  
 Minneapolis, MN 55447

File Name : 3\_34th Ave\_EB I-494 Ramps\_NB\_AM

Site Code : 00000002

Start Date : 11/2/2010

Page No : 2



# SRF Consulting Group, Inc.

One Carlson Pkwy N, Suite 150  
Minneapolis, MN 55447

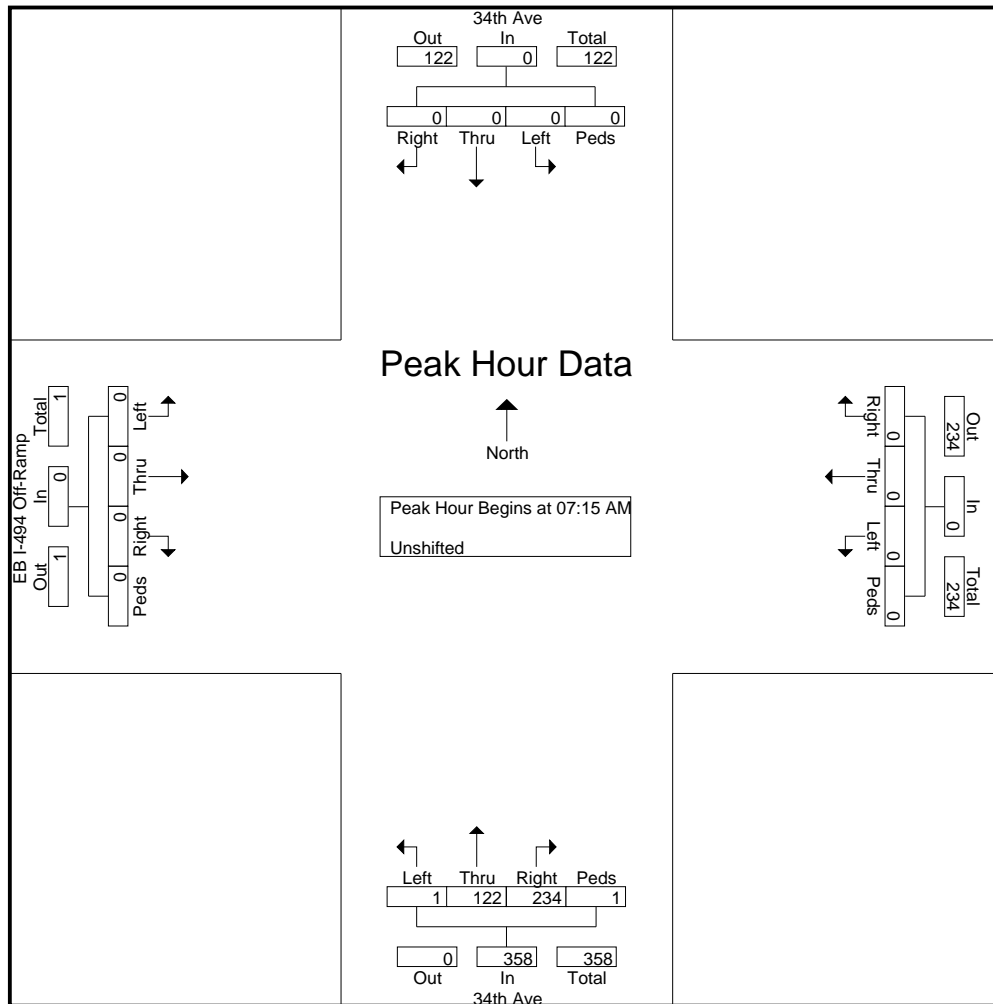
File Name : 3\_34th Ave\_EB I-494 Ramps\_NB\_AM

Site Code : 00000002

Start Date : 11/2/2010

Page No : 3

Start Time	34th Ave From South					34th Ave From North					EB I-494 Off-Ramp From West					From East					Int. Total
	Right	Thru	Left	Peds	App. Total	Right	Thru	Left	Peds	App. Total	Right	Thru	Left	Peds	App. Total	Right	Thru	Left	Peds	App. Total	
Peak Hour Analysis From 05:30 AM to 08:15 AM - Peak 1 of 1																					
Peak Hour for Entire Intersection Begins at 07:15 AM																					
07:15 AM	62	29	0	0	91	0	0	0	0	0	0	0	0	0	0	0	0	0	0	0	91
07:30 AM	51	24	0	0	75	0	0	0	0	0	0	0	0	0	0	0	0	0	0	0	75
07:45 AM	52	<b>42</b>	<b>1</b>	0	95	0	0	0	0	0	0	0	0	0	0	0	0	0	0	0	95
08:00 AM	<b>69</b>	27	0	<b>1</b>	<b>97</b>	0	0	0	0	0	0	0	0	0	0	0	0	0	0	0	<b>97</b>
Total Volume	234	122	1	1	358	0	0	0	0	0	0	0	0	0	0	0	0	0	0	0	358
% App. Total	65.4	34.1	0.3	0.3		0	0	0	0	0	0	0	0	0	0	0	0	0	0	0	
PHF	.848	.726	.250	.250	.923	.000	.000	.000	.000	.000	.000	.000	.000	.000	.000	.000	.000	.000	.000	.000	.923



Location: 34th Ave S & I-494 EB Ramps  
 SB and EB only  
 35-56 degrees, mostly sunny  
 Count By: WR

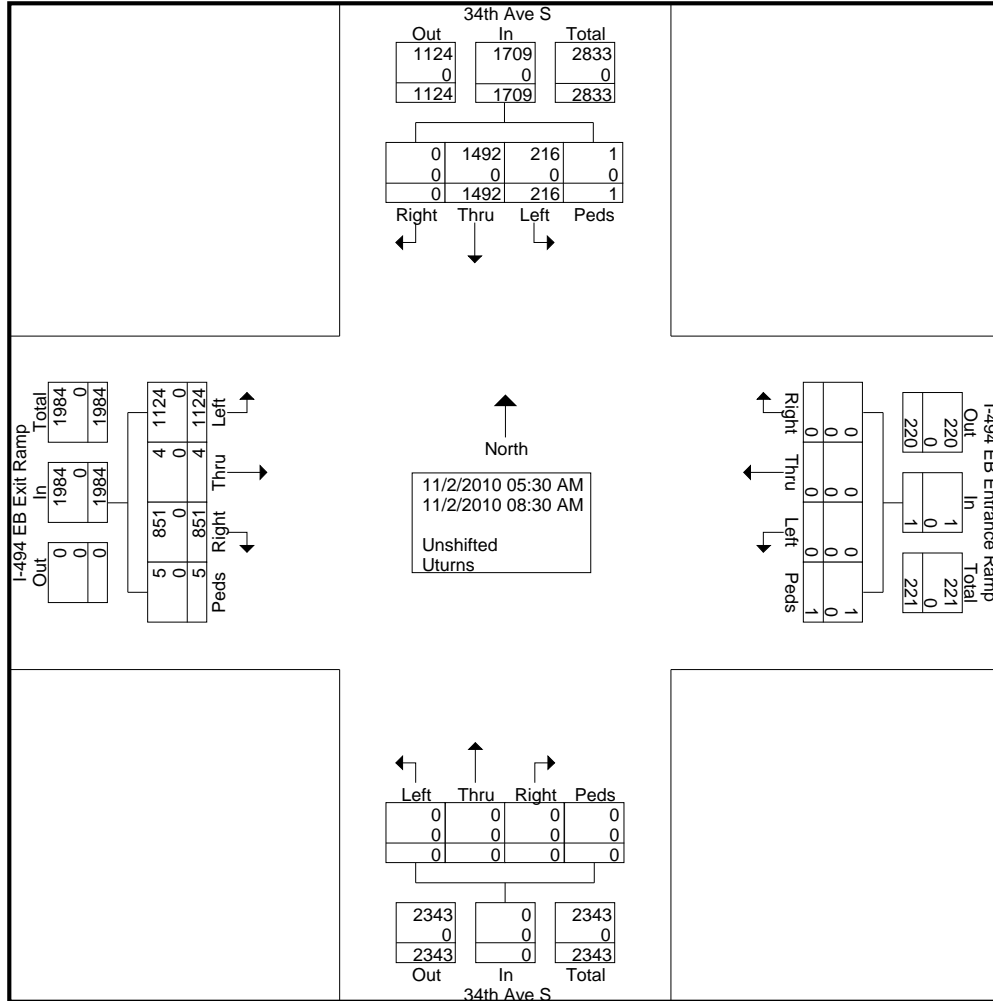
File Name : 34th\_Ave\_&\_I-494\_EB\_ramps  
 Site Code : 00000003  
 Start Date : 11/2/2010  
 Page No : 1

**Groups Printed- Unshifted - Uturns**

Start Time	34th Ave S Southbound					I-494 EB Entrance Ramp Westbound					34th Ave S Northbound					I-494 EB Exit Ramp Eastbound					Int. Total
	Left	Thru	Right	Peds	App. Total	Left	Thru	Right	Peds	App. Total	Left	Thru	Right	Peds	App. Total	Left	Thru	Right	Peds	App. Total	
Factor	1.0	1.0	1.0	1.0		1.0	1.0	1.0	1.0		1.0	1.0	1.0	1.0		1.0	1.0	1.0	1.0		
05:30 AM	19	30	0	0	49	0	0	0	1	1	0	0	0	0	0	106	3	22	0	131	181
05:45 AM	11	63	0	0	74	0	0	0	0	0	0	0	0	0	0	122	0	46	0	168	242
Total	30	93	0	0	123	0	0	0	1	1	0	0	0	0	0	228	3	68	0	299	423
06:00 AM	20	48	0	0	68	0	0	0	0	0	0	0	0	0	0	103	0	40	0	143	211
06:15 AM	24	50	0	1	75	0	0	0	0	0	0	0	0	0	0	118	0	25	0	143	218
06:30 AM	17	69	0	0	86	0	0	0	0	0	0	0	0	0	0	123	0	31	1	155	241
06:45 AM	17	97	0	0	114	0	0	0	0	0	0	0	0	0	0	115	0	52	0	167	281
Total	78	264	0	1	343	0	0	0	0	0	0	0	0	0	0	459	0	148	1	608	951
07:00 AM	28	109	0	0	137	0	0	0	0	0	0	0	0	0	0	98	0	61	2	161	298
07:15 AM	14	139	0	0	153	0	0	0	0	0	0	0	0	0	0	76	0	86	0	162	315
07:30 AM	17	203	0	0	220	0	0	0	0	0	0	0	0	0	0	67	0	109	0	176	396
07:45 AM	21	263	0	0	284	0	0	0	0	0	0	0	0	0	0	69	0	122	1	192	476
Total	80	714	0	0	794	0	0	0	0	0	0	0	0	0	0	310	0	378	3	691	1485
08:00 AM	16	224	0	0	240	0	0	0	0	0	0	0	0	0	0	61	0	143	0	204	444
08:15 AM	12	197	0	0	209	0	0	0	0	0	0	0	0	0	0	66	1	114	1	182	391
*** BREAK ***																					
Grand Total	216	1492	0	1	1709	0	0	0	1	1	0	0	0	0	0	1124	4	851	5	1984	3694
Apprch %	12.6	87.3	0	0.1		0	0	0	100		0	0	0	0		56.7	0.2	42.9	0.3		
Total %	5.8	40.4	0	0	46.3	0	0	0	0	0	0	0	0	0	0	30.4	0.1	23	0.1	53.7	
Unshifted	216	1492														1124					
% Unshifted	100	100	0	100	100	0	0	0	100	100	0	0	0	0	0	100	100	100	100	100	100
Uturns	0	0	0	0	0	0	0	0	0	0	0	0	0	0	0	0	0	0	0	0	0
% Uturns	0	0	0	0	0	0	0	0	0	0	0	0	0	0	0	0	0	0	0	0	0

Location: 34th Ave S & I-494 EB Ramps  
SB and EB only  
35-56 degrees, mostly sunny  
Count By: WR

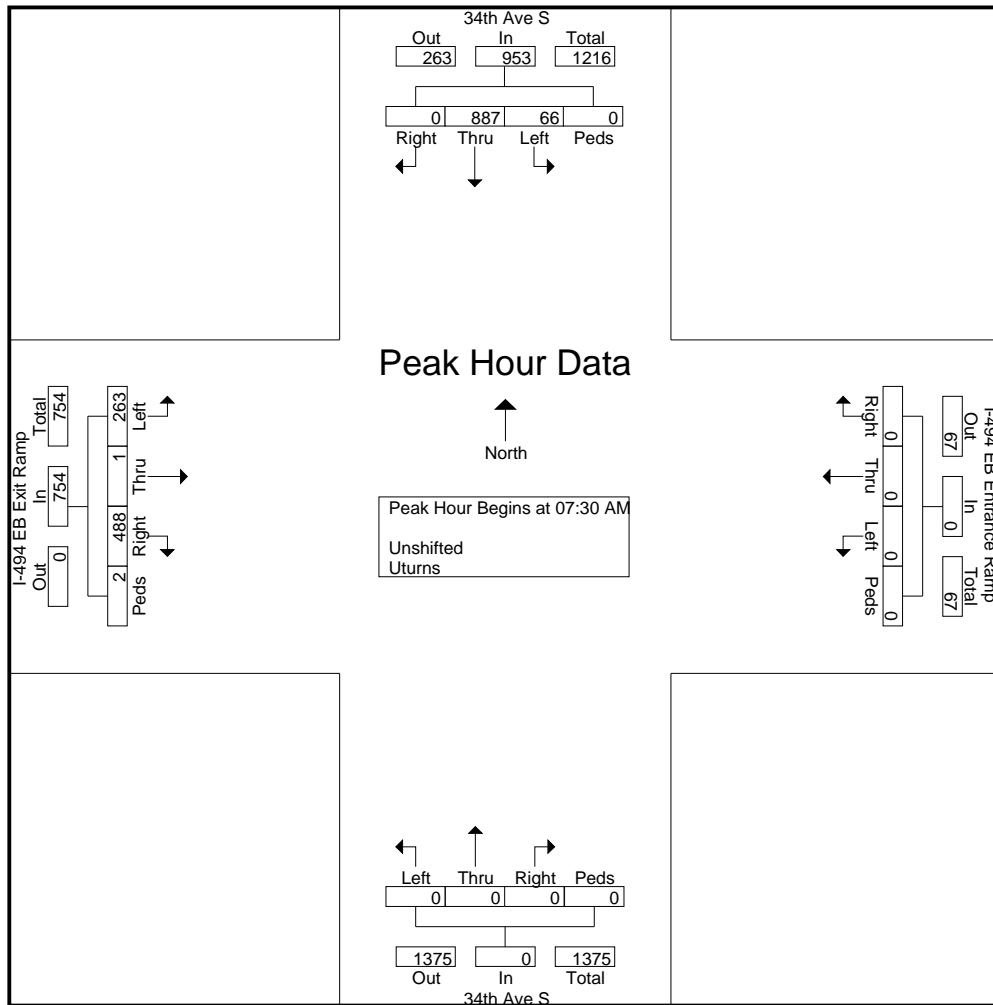
File Name : 34th\_Ave\_&\_I-494\_EB\_ramps  
Site Code : 00000003  
Start Date : 11/2/2010  
Page No : 2



Location: 34th Ave S & I-494 EB Ramps  
SB and EB only  
35-56 degrees, mostly sunny  
Count By: WR

File Name : 34th\_Ave\_&\_I-494\_EB\_ramps  
Site Code : 00000003  
Start Date : 11/2/2010  
Page No : 3

Start Time	34th Ave S Southbound					I-494 EB Entrance Ramp Westbound					34th Ave S Northbound					I-494 EB Exit Ramp Eastbound					Int. Total
	Left	Thru	Right	Peds	App. Total	Left	Thru	Right	Peds	App. Total	Left	Thru	Right	Peds	App. Total	Left	Thru	Right	Peds	App. Total	
Peak Hour Analysis From 05:30 AM to 08:15 AM - Peak 1 of 1																					
Peak Hour for Entire Intersection Begins at 07:30 AM																					
07:30 AM	17	203	0	0	220	0	0	0	0	0	0	0	0	0	0	67	0	109	0	176	396
07:45 AM	21	263	0	0	284	0	0	0	0	0	0	0	0	0	0	69	0	122	1	192	476
08:00 AM	16	224	0	0	240	0	0	0	0	0	0	0	0	0	0	61	0	143	0	204	444
08:15 AM	12	197	0	0	209	0	0	0	0	0	0	0	0	0	0	66	1	114	1	182	391
Total Volume	66	887	0	0	953	0	0	0	0	0	0	0	0	0	0	263	1	488	2	754	1707
% App. Total	6.9	93.1	0	0		0	0	0	0		0	0	0	0		34.9	0.1	64.7	0.3		
PHF	.786	.843	.000	.000	.839	.000	.000	.000	.000	.000	.000	.000	.000	.000	.000	.953	.250	.853	.500	.924	.897





# SRF Consulting Group, Inc.

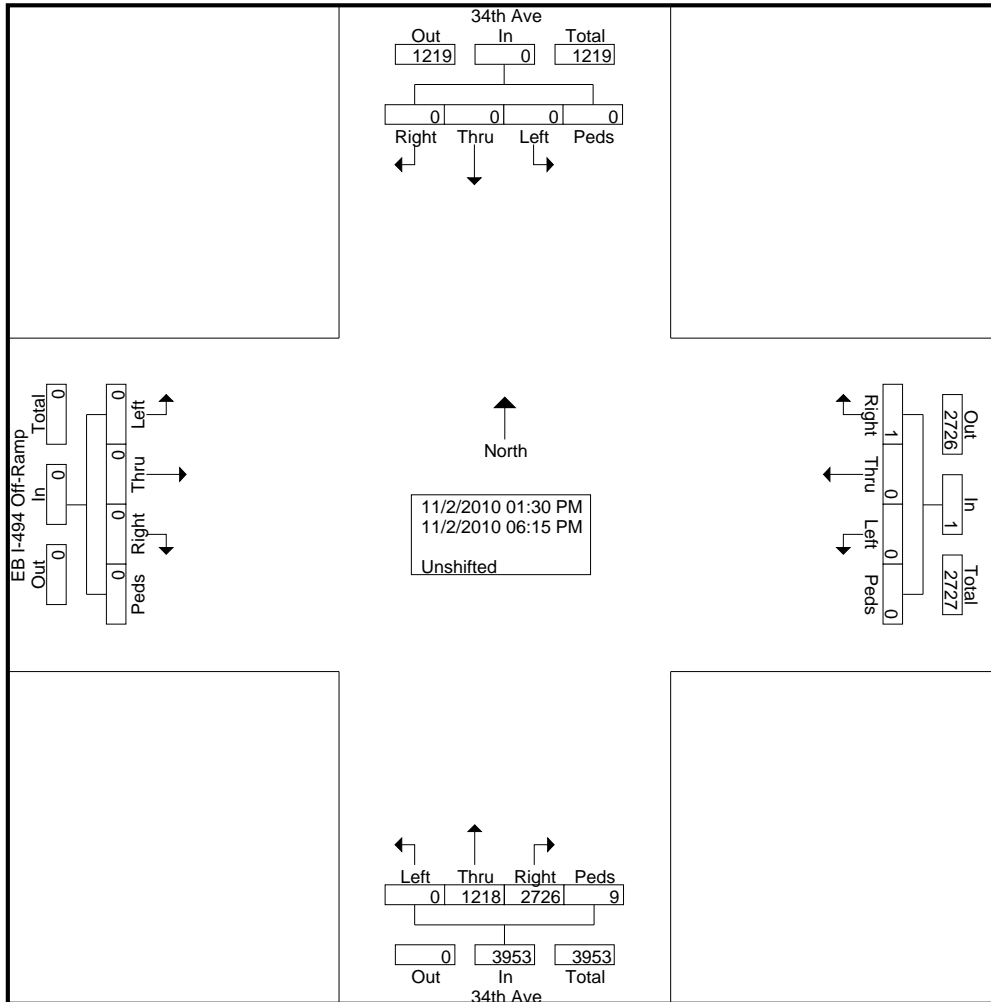
One Carlson Pkwy N, Suite 150  
 Minneapolis, MN 55447

File Name : 3\_34th Ave\_EB I-494 Ramps\_NB\_PM

Site Code : 00000002

Start Date : 11/2/2010

Page No : 2



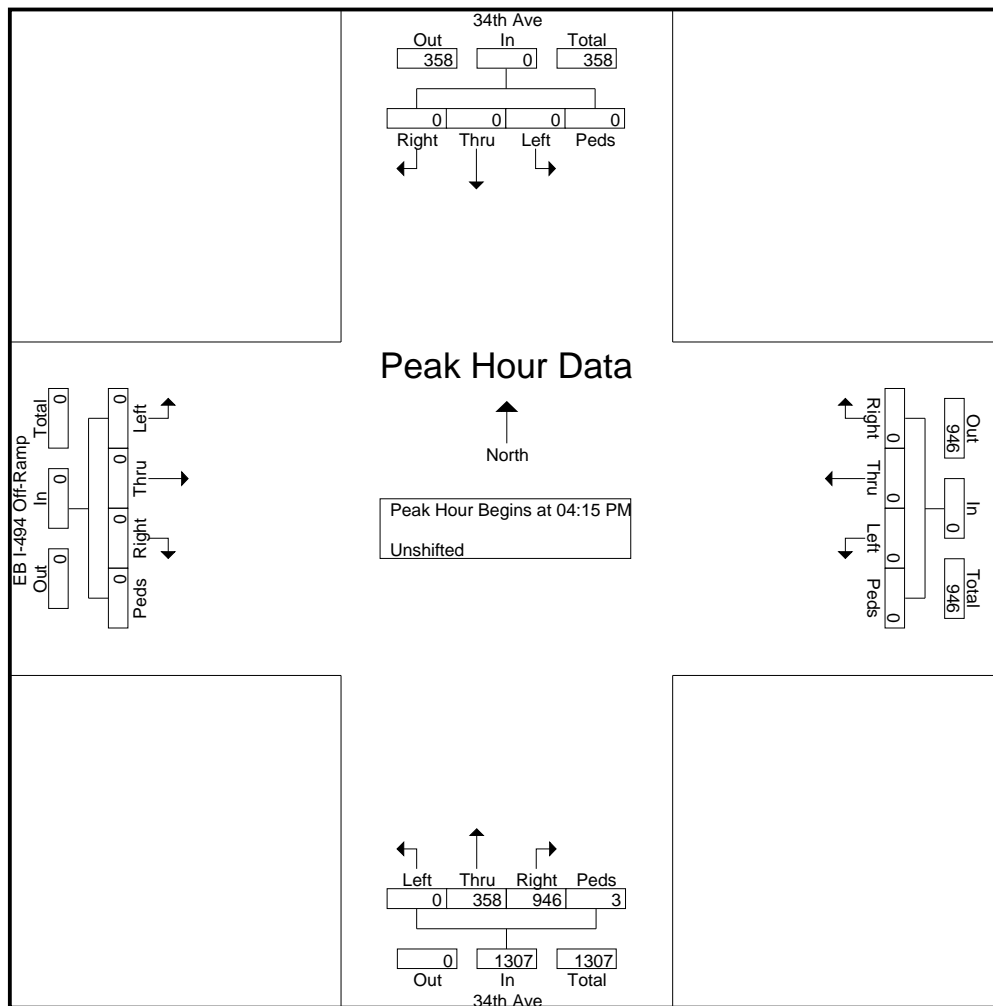


# SRF Consulting Group, Inc.

One Carlson Pkwy N, Suite 150  
Minneapolis, MN 55447

File Name : 3\_34th Ave\_EB I-494 Ramps\_NB\_PM  
Site Code : 00000002  
Start Date : 11/2/2010  
Page No : 3

Start Time	34th Ave From South					34th Ave From North					EB I-494 Off-Ramp From West					From East					Int. Total
	Right	Thru	Left	Peds	App. Total	Right	Thru	Left	Peds	App. Total	Right	Thru	Left	Peds	App. Total	Right	Thru	Left	Peds	App. Total	
Peak Hour Analysis From 01:30 PM to 06:15 PM - Peak 1 of 1																					
Peak Hour for Entire Intersection Begins at 04:15 PM																					
04:15 PM	195	74	0	2	271	0	0	0	0	0	0	0	0	0	0	0	0	0	0	0	271
04:30 PM	237	102	0	0	339	0	0	0	0	0	0	0	0	0	0	0	0	0	0	0	339
04:45 PM	229	71	0	0	300	0	0	0	0	0	0	0	0	0	0	0	0	0	0	0	300
05:00 PM	<b>285</b>	<b>111</b>	0	1	<b>397</b>	0	0	0	0	0	0	0	0	0	0	0	0	0	0	0	<b>397</b>
Total Volume	946	358	0	3	1307	0	0	0	0	0	0	0	0	0	0	0	0	0	0	0	1307
% App. Total	72.4	27.4	0	0.2		0	0	0	0	0	0	0	0	0	0	0	0	0	0	0	
PHF	.830	.806	.000	.375	.823	.000	.000	.000	.000	.000	.000	.000	.000	.000	.000	.000	.000	.000	.000	.000	.823



Location: 34th Ave S & I-494 EB Ramps  
 SB and EB only  
 35-56 degrees, mostly sunny  
 Count By: WR

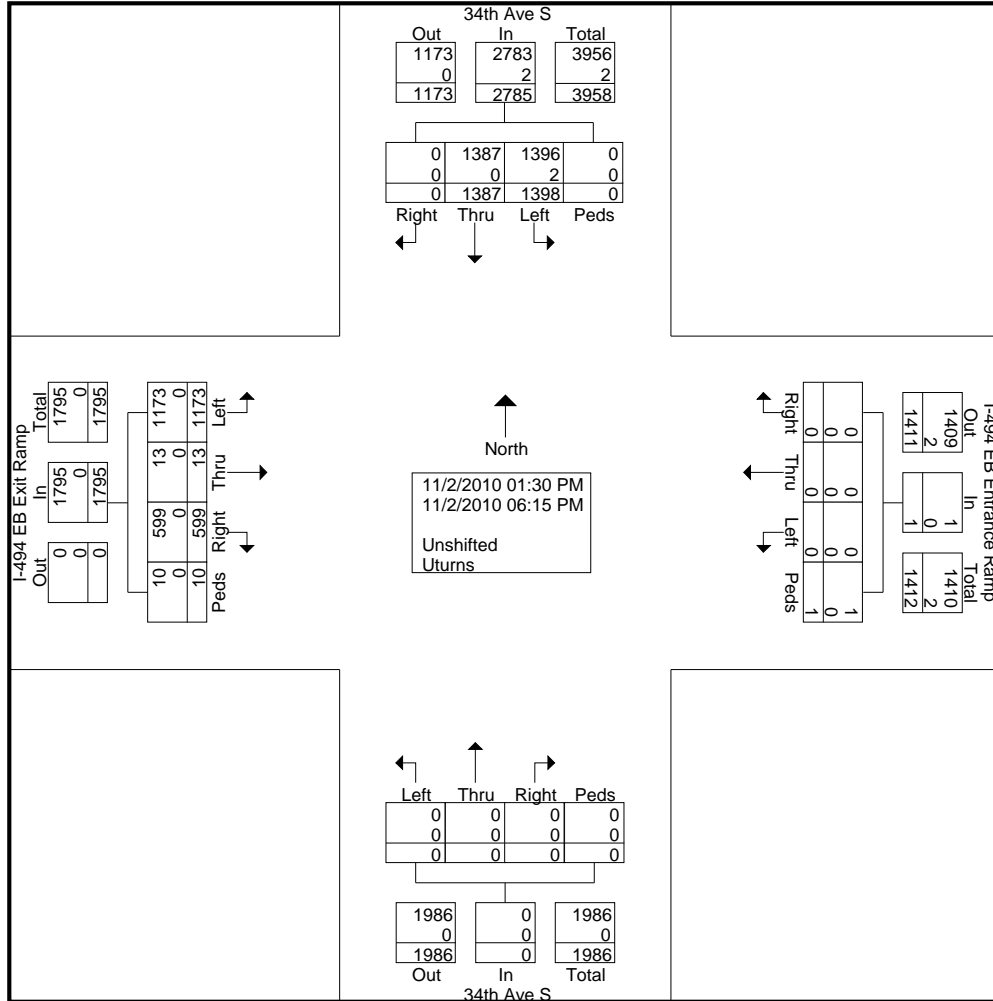
File Name : 34th\_Ave\_&\_I-494\_EB\_ramps  
 Site Code : 00000003  
 Start Date : 11/2/2010  
 Page No : 1

**Groups Printed- Unshifted - Uturns**

Start Time	34th Ave S Southbound					I-494 EB Entrance Ramp Westbound					34th Ave S Northbound					I-494 EB Exit Ramp Eastbound					Int. Total
	Left	Thru	Right	Peds	App. Total	Left	Thru	Right	Peds	App. Total	Left	Thru	Right	Peds	App. Total	Left	Thru	Right	Peds	App. Total	
Factor	1.0	1.0	1.0	1.0		1.0	1.0	1.0	1.0		1.0	1.0	1.0	1.0		1.0	1.0	1.0	1.0		
01:30 PM	41	44	0	0	85	0	0	0	1	1	0	0	0	0	0	108	0	47	0	155	241
01:45 PM	78	90	0	0	168	0	0	0	0	0	0	0	0	0	0	87	0	58	0	145	313
Total	119	134	0	0	253	0	0	0	1	1	0	0	0	0	0	195	0	105	0	300	554
02:00 PM	60	61	0	0	121	0	0	0	0	0	0	0	0	0	0	84	1	34	0	119	240
02:15 PM	64	57	0	0	121	0	0	0	0	0	0	0	0	0	0	97	0	27	0	124	245
02:30 PM	72	59	0	0	131	0	0	0	0	0	0	0	0	0	0	90	0	22	1	113	244
02:45 PM	84	74	0	0	158	0	0	0	0	0	0	0	0	0	0	87	1	34	1	123	281
Total	280	251	0	0	531	0	0	0	0	0	0	0	0	0	0	358	2	117	2	479	1010
03:00 PM	90	60	0	0	150	0	0	0	0	0	0	0	0	0	0	65	0	35	0	100	250
03:15 PM	89	54	0	0	143	0	0	0	0	0	0	0	0	0	0	64	0	25	1	90	233
03:30 PM	86	62	0	0	148	0	0	0	0	0	0	0	0	0	0	53	1	36	0	90	238
03:45 PM	103	87	0	0	190	0	0	0	0	0	0	0	0	0	0	53	0	19	1	73	263
Total	368	263	0	0	631	0	0	0	0	0	0	0	0	0	0	235	1	115	2	353	984
04:00 PM	57	68	0	0	125	0	0	0	0	0	0	0	0	0	0	39	2	36	0	77	202
04:15 PM	91	69	0	0	160	0	0	0	0	0	0	0	0	0	0	53	1	31	1	86	246
04:30 PM	93	74	0	0	167	0	0	0	0	0	0	0	0	0	0	51	0	24	0	75	242
04:45 PM	87	91	0	0	178	0	0	0	0	0	0	0	0	0	0	40	2	25	0	67	245
Total	328	302	0	0	630	0	0	0	0	0	0	0	0	0	0	183	5	116	1	305	935
05:00 PM	68	98	0	0	166	0	0	0	0	0	0	0	0	0	0	46	2	30	0	78	244
05:15 PM	74	91	0	0	165	0	0	0	0	0	0	0	0	0	0	32	1	29	2	64	229
05:30 PM	54	88	0	0	142	0	0	0	0	0	0	0	0	0	0	25	0	24	1	50	192
05:45 PM	36	81	0	0	117	0	0	0	0	0	0	0	0	0	0	33	0	22	0	55	172
Total	232	358	0	0	590	0	0	0	0	0	0	0	0	0	0	136	3	105	3	247	837
06:00 PM	31	45	0	0	76	0	0	0	0	0	0	0	0	0	0	34	1	20	1	56	132
06:15 PM	40	34	0	0	74	0	0	0	0	0	0	0	0	0	0	32	1	21	1	55	129
Grand Total	1398	1387	0	0	2785	0	0	0	1	1	0	0	0	0	0	1173	13	599	10	1795	4581
Apprch %	50.2	49.8	0	0		0	0	0	100		0	0	0	0		65.3	0.7	33.4	0.6		
Total %	30.5	30.3	0	0	60.8	0	0	0	0	0	0	0	0	0	0	25.6	0.3	13.1	0.2	39.2	
Unshifted	1396	1387														1173					
% Unshifted	99.9	100	0	0	99.9	0	0	0	100	100	0	0	0	0	0	100	100	100	100	100	100
Uturns	2	0	0	0	2	0	0	0	0	0	0	0	0	0	0	0	0	0	0	0	2
% Uturns	0.1	0	0	0	0.1	0	0	0	0	0	0	0	0	0	0	0	0	0	0	0	0

Location: 34th Ave S & I-494 EB Ramps  
SB and EB only  
35-56 degrees, mostly sunny  
Count By: WR

File Name : 34th\_Ave\_&\_I-494\_EB\_ramps  
Site Code : 00000003  
Start Date : 11/2/2010  
Page No : 2



Location: 34th Ave S & I-494 EB Ramps  
SB and EB only  
35-56 degrees, mostly sunny  
Count By: WR

File Name : 34th\_Ave\_&\_I-494\_EB\_ramps  
Site Code : 00000003  
Start Date : 11/2/2010  
Page No : 3

Start Time	34th Ave S Southbound					I-494 EB Entrance Ramp Westbound					34th Ave S Northbound					I-494 EB Exit Ramp Eastbound					Int. Total
	Left	Thru	Right	Peds	App. Total	Left	Thru	Right	Peds	App. Total	Left	Thru	Right	Peds	App. Total	Left	Thru	Right	Peds	App. Total	
Peak Hour Analysis From 01:30 PM to 06:15 PM - Peak 1 of 1																					
Peak Hour for Entire Intersection Begins at 01:45 PM																					
01:45 PM	78	90	0	0	168	0	0	0	0	0	0	0	0	0	0	87	0	58	0	145	313
02:00 PM	60	61	0	0	121	0	0	0	0	0	0	0	0	0	0	84	1	34	0	119	240
02:15 PM	64	57	0	0	121	0	0	0	0	0	0	0	0	0	0	97	0	27	0	124	245
02:30 PM	72	59	0	0	131	0	0	0	0	0	0	0	0	0	0	90	0	22	1	113	244
Total Volume	274	267	0	0	541	0	0	0	0	0	0	0	0	0	0	358	1	141	1	501	1042
% App. Total	50.6	49.4	0	0		0	0	0	0	0	0	0	0	0	0	71.5	0.2	28.1	0.2		
PHF	.878	.742	.000	.000	.805	.000	.000	.000	.000	.000	.000	.000	.000	.000	.000	.923	.250	.608	.250	.864	.832

