



MINNESOTA DEPT OF TRANSPORTATION

TRAFFIC DATA COLLECTION - METRO

I494 AND LYNDAL AVE S File Name : I494 LYNDAL AVE S @ W 77th ST AM NOON PM 2006
 @ W 77th ST 2006 Site Code : 00000000
 Jamar# 1358/MAR Start Date : 2/23/2006
 TURN MOVEMENT COUNT Page No : 1

Groups Printed- Cars & Trucks

Start Time	LYNDAL AVE S Southbound					W 77TH ST Westbound					LYNDAL AVE S Northbound					W 77TH ST Eastbound					Int. Total
	Left	Thru	Right	Peds	App. Total	Left	Thru	Right	Peds	App. Total	Left	Thru	Right	Peds	App. Total	Left	Thru	Right	Peds	App. Total	
06:00	1	24	2	0	27	5	13	3	0	21	21	17	6	0	44	0	8	4	0	12	104
06:15	3	33	1	0	37	5	23	5	0	33	36	32	3	0	71	2	6	15	0	23	164
06:30	3	40	6	0	49	5	46	2	0	53	41	36	4	0	81	3	17	11	0	31	214
06:45	12	62	3	0	77	7	55	3	0	65	82	43	13	0	138	1	26	14	0	41	321
Total	19	159	12	0	190	22	137	13	0	172	180	128	26	0	334	6	57	44	0	107	803
07:00	7	56	8	0	71	12	50	6	0	68	82	50	6	0	138	2	16	15	0	33	310
07:15	14	70	10	0	94	14	119	8	0	141	102	59	11	0	172	1	30	15	0	46	453
07:30	7	73	20	0	100	14	177	6	0	197	96	49	11	0	156	2	18	22	0	42	495
07:45	10	108	22	0	140	15	214	14	0	243	109	57	10	0	176	8	35	25	0	68	627
Total	38	307	60	0	405	55	560	34	0	649	389	215	38	0	642	13	99	77	0	189	1885
08:00	9	79	18	0	106	12	182	11	0	205	115	59	10	0	184	7	42	15	0	64	559
08:15	8	71	7	0	86	14	173	13	0	200	125	55	11	0	191	5	20	13	0	38	515
08:30	10	56	13	0	79	9	121	10	0	140	112	57	12	0	181	4	24	20	0	48	448
08:45	11	55	6	0	72	12	70	10	0	92	104	54	5	0	163	5	29	19	0	53	380
Total	38	261	44	0	343	47	546	44	0	637	456	225	38	0	719	21	115	67	0	203	1902
11:00	8	67	17	1	93	15	47	11	3	76	104	65	13	0	182	18	41	46	0	105	456
11:15	8	80	11	2	101	12	44	16	1	73	103	88	17	0	208	19	53	61	4	137	519
11:30	18	99	14	1	132	6	47	13	6	72	125	88	24	1	238	39	58	76	2	175	617
11:45	9	95	16	0	120	19	47	13	5	84	117	94	15	0	226	24	74	69	4	171	601
Total	43	341	58	4	446	52	185	53	15	305	449	335	69	1	854	100	226	252	10	588	2193
12:00	15	80	20	2	117	7	53	10	0	70	150	113	6	0	269	41	60	64	2	167	623
12:15	14	122	21	2	159	12	53	11	1	77	123	97	27	2	249	29	66	76	2	173	658
12:30	15	109	28	1	153	20	63	13	1	97	113	102	17	0	232	31	55	65	3	154	636
12:45	20	95	16	2	133	15	55	16	0	86	135	89	13	1	238	15	57	87	4	163	620
Total	64	406	85	7	562	54	224	50	2	330	521	401	63	3	988	116	238	292	11	657	2537
15:00	21	89	10	0	120	12	44	9	0	65	73	95	11	1	180	11	73	91	1	176	541
15:15	15	65	22	0	102	18	49	11	0	78	96	95	14	0	205	33	91	85	4	213	598
15:30	12	96	18	2	128	25	57	10	0	92	74	100	15	4	193	24	87	92	2	205	618
15:45	17	87	13	1	118	11	72	15	1	99	81	97	12	1	191	16	79	77	2	174	582
Total	65	337	63	3	468	66	222	45	1	334	324	387	52	6	769	84	330	345	9	768	2339
16:00	14	97	14	3	128	19	49	14	2	84	71	105	12	2	190	32	114	114	1	261	663
16:15	13	105	15	0	133	13	59	17	1	90	95	106	13	0	214	34	96	99	1	230	667
16:30	14	120	14	1	149	11	67	17	0	95	83	118	19	0	220	33	118	114	1	266	730
16:45	27	88	17	4	136	18	84	6	1	109	98	162	20	4	284	44	145	148	0	337	866
Total	68	410	60	8	546	61	259	54	4	378	347	491	64	6	908	143	473	475	3	1094	2926
17:00	15	103	26	1	145	21	71	19	1	112	101	128	18	1	248	40	154	136	1	331	836
17:15	25	100	21	3	149	13	72	14	0	99	113	114	20	0	247	57	162	122	1	342	837
17:30	19	102	16	0	137	16	60	10	1	87	104	119	13	2	238	33	145	122	0	300	762
17:45	19	122	16	3	160	17	76	15	0	108	102	146	7	1	256	38	102	92	5	237	761
Total	78	427	79	7	591	67	279	58	2	406	420	507	58	4	989	168	563	472	7	1210	3196



MINNESOTA DEPT OF TRANSPORTATION

TRAFFIC DATA COLLECTION - METRO

File Name : I494 LYNDALE AVE S @ W 77th ST AM NOON PM 2006
 Site Code : 00000000
 Start Date : 2/23/2006
 Page No : 2

Groups Printed- Cars & Trucks

	LYNDALE AVE S Southbound					W 77TH ST Westbound					LYNDALE AVE S Northbound					W 77TH ST Eastbound					Int. Total
	Left	Thru	Right	Peds	App. Total	Left	Thru	Right	Peds	App. Total	Left	Thru	Right	Peds	App. Total	Left	Thru	Right	Peds	App. Total	
Grand Total	413	2648	461	29	3551	424	2412	351	24	3211	3086	2689	408	20	6203	651	2101	2024	40	4816	17781
Apprch %	11.6	74.6	13	0.8		13.2	75.1	10.9	0.7		49.8	43.3	6.6	0.3		13.5	43.6	42	0.8		
Total %	2.3	14.9	2.6	0.2	20	2.4	13.6	2	0.1	18.1	17.4	15.1	2.3	0.1	34.9	3.7	11.8	11.4	0.2	27.1	

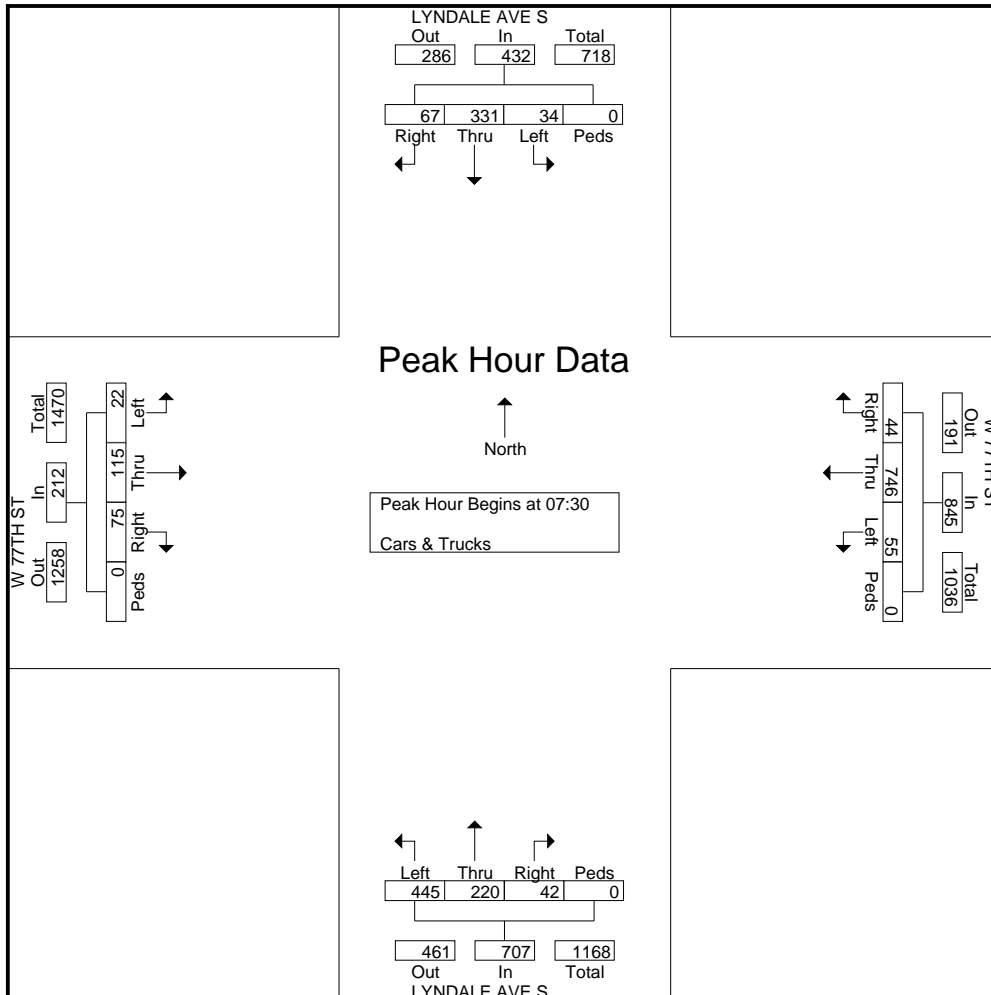


MINNESOTA DEPT OF TRANSPORTATION

TRAFFIC DATA COLLECTION - METRO

File Name : I494 LYNDALVE AVE S @ W 77th ST AM NOON PM 2006
 Site Code : 00000000
 Start Date : 2/23/2006
 Page No : 3

Start Time	LYNDALVE AVE S Southbound					W 77TH ST Westbound					LYNDALVE AVE S Northbound					W 77TH ST Eastbound					Int. Total
	Left	Thru	Right	Peds	App. Total	Left	Thru	Right	Peds	App. Total	Left	Thru	Right	Peds	App. Total	Left	Thru	Right	Peds	App. Total	
Peak Hour Analysis From 06:00 to 08:45 - Peak 1 of 1																					
Peak Hour for Entire Intersection Begins at 07:30																					
07:30	7	73	20	0	100	14	177	6	0	197	96	49	11	0	156	2	18	22	0	42	495
07:45	10	108	22	0	140	15	214	14	0	243	109	57	10	0	176	8	35	25	0	68	627
08:00	9	79	18	0	106	12	182	11	0	205	115	59	10	0	184	7	42	15	0	64	559
08:15	8	71	7	0	86	14	173	13	0	200	125	55	11	0	191	5	20	13	0	38	515
Total Volume	34	331	67	0	432	55	746	44	0	845	445	220	42	0	707	22	115	75	0	212	2196
% App. Total	7.9	76.6	15.5	0		6.5	88.3	5.2	0		62.9	31.1	5.9	0		10.4	54.2	35.4	0		
PHF	.850	.766	.761	.000	.771	.917	.871	.786	.000	.869	.890	.932	.955	.000	.925	.688	.685	.750	.000	.779	.876



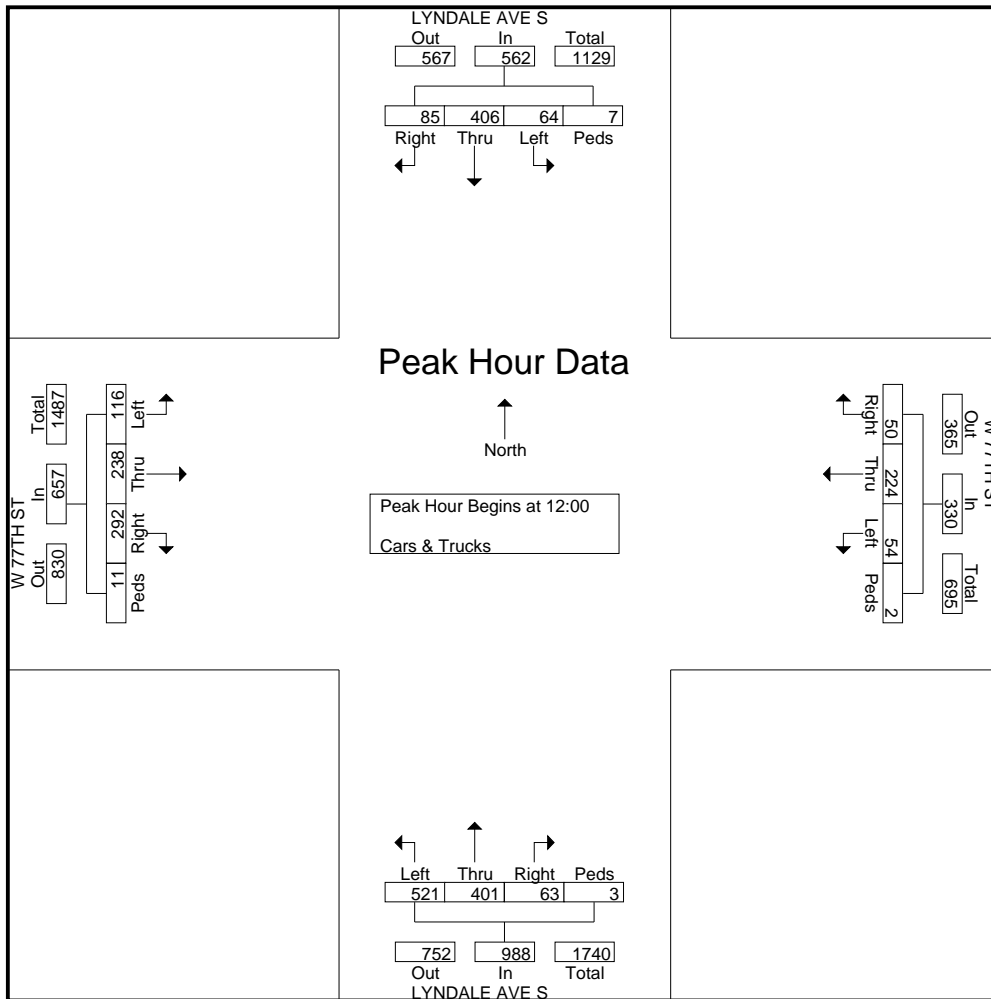


MINNESOTA DEPT OF TRANSPORTATION

TRAFFIC DATA COLLECTION - METRO

File Name : I494 LYNDALVE AVE S @ W 77th ST AM NOON PM 2006
 Site Code : 00000000
 Start Date : 2/23/2006
 Page No : 4

Start Time	LYNDALVE AVE S Southbound					W 77TH ST Westbound					LYNDALVE AVE S Northbound					W 77TH ST Eastbound					Int. Total
	Left	Thru	Right	Peds	App. Total	Left	Thru	Right	Peds	App. Total	Left	Thru	Right	Peds	App. Total	Left	Thru	Right	Peds	App. Total	
Peak Hour Analysis From 11:00 to 13:45 - Peak 1 of 1																					
Peak Hour for Entire Intersection Begins at 12:00																					
12:00	15	80	20	2	117	7	53	10	0	70	150	113	6	0	269	41	60	64	2	167	623
12:15	14	122	21	2	159	12	53	11	1	77	123	97	27	2	249	29	66	76	2	173	658
12:30	15	109	28	1	153	20	63	13	1	97	113	102	17	0	232	31	55	65	3	154	636
12:45	20	95	16	2	133	15	55	16	0	86	135	89	13	1	238	15	57	87	4	163	620
Total Volume	64	406	85	7	562	54	224	50	2	330	521	401	63	3	988	116	238	292	11	657	2537
% App. Total	11.4	72.2	15.1	1.2		16.4	67.9	15.2	0.6		52.7	40.6	6.4	0.3		17.7	36.2	44.4	1.7		
PHF	.800	.832	.759	.875	.884	.675	.889	.781	.500	.851	.868	.887	.583	.375	.918	.707	.902	.839	.688	.949	.964





MINNESOTA DEPT OF TRANSPORTATION

TRAFFIC DATA COLLECTION - METRO

File Name : I494 LYNDALE AVE S @ W 77th ST AM NOON PM 2006
 Site Code : 00000000
 Start Date : 2/23/2006
 Page No : 5

Start Time	LYNDALE AVE S Southbound					W 77TH ST Westbound					LYNDALE AVE S Northbound					W 77TH ST Eastbound					Int. Total
	Left	Thru	Right	Peds	App. Total	Left	Thru	Right	Peds	App. Total	Left	Thru	Right	Peds	App. Total	Left	Thru	Right	Peds	App. Total	
Peak Hour Analysis From 15:00 to 17:45 - Peak 1 of 1																					
Peak Hour for Entire Intersection Begins at 16:45																					
16:45	27	88	17	4	136	18	84	6	1	109	98	162	20	4	284	44	145	148	0	337	866
17:00	15	103	26	1	145	21	71	19	1	112	101	128	18	1	248	40	154	136	1	331	836
17:15	25	100	21	3	149	13	72	14	0	99	113	114	20	0	247	57	162	122	1	342	837
17:30	19	102	16	0	137	16	60	10	1	87	104	119	13	2	238	33	145	122	0	300	762
Total Volume	86	393	80	8	567	68	287	49	3	407	416	523	71	7	1017	174	606	528	2	1310	3301
% App. Total	15.2	69.3	14.1	1.4		16.7	70.5	12	0.7		40.9	51.4	7	0.7		13.3	46.3	40.3	0.2		
PHF	.796	.954	.769	.500	.951	.810	.854	.645	.750	.908	.920	.807	.888	.438	.895	.763	.935	.892	.500	.958	.953

