



701 Xenia Ave S, Suite 300
 Minneapolis, MN 55416

Tamarack Rd & Tamberwood Trl
 24 hours
 vehicles, heavy trucks, bikes, peds
 Woodbury, MN

File Name : Tamarack Rd & Tamberwood Trl
 Site Code : 6
 Start Date : 1/9/2024
 Page No : 1

Groups Printed- vehicles & peds - heavy trucks & bikes

Start Time	Tamberwood Trl From North					Tamarack Rd From East					Tamberwood Trl From South					Tamarack Rd From West					Int. Total
	Right	Thru	Left	bikes	App. Total	Right	Thru	Left	bikes	App. Total	Right	Thru	Left	bikes	App. Total	Right	Thru	Left	bikes	App. Total	
12:00 AM	0	0	0	0	0	1	7	0	0	8	0	0	2	0	2	1	5	3	0	9	19
12:15 AM	1	0	0	0	1	0	5	0	0	5	0	0	1	0	1	0	4	2	0	6	13
12:30 AM	1	0	0	0	1	0	6	0	0	6	0	0	0	0	0	3	4	0	0	7	14
12:45 AM	0	0	0	0	0	0	5	0	0	5	0	0	0	0	0	0	1	3	0	4	9
Total	2	0	0	0	2	1	23	0	0	24	0	0	3	0	3	4	14	8	0	26	55
01:00 AM	0	0	0	0	0	0	2	0	0	2	0	0	0	0	0	0	4	0	0	4	6
01:15 AM	1	0	0	0	1	0	5	0	0	5	0	0	0	0	0	0	3	0	0	3	9
01:30 AM	0	0	0	0	0	1	3	0	0	4	0	0	0	0	0	0	3	1	0	4	8
01:45 AM	0	0	0	0	0	0	1	0	0	1	0	0	0	0	0	0	3	1	0	4	5
Total	1	0	0	0	1	1	11	0	0	12	0	0	0	0	0	0	13	2	0	15	28
02:00 AM	0	0	0	0	0	0	3	0	0	3	0	0	0	0	0	0	0	0	0	0	3
02:15 AM	2	0	0	0	2	0	3	0	0	3	0	0	0	0	0	0	4	1	0	5	10
02:30 AM	0	0	0	0	0	0	0	0	0	0	0	0	0	0	0	2	0	0	0	2	2
02:45 AM	1	0	0	0	1	0	0	0	0	0	0	0	1	0	1	0	0	1	0	1	3
Total	3	0	0	0	3	0	6	0	0	6	0	0	1	0	1	2	4	2	0	8	18
03:00 AM	1	0	0	0	1	0	0	0	0	0	0	0	0	0	0	0	2	0	0	2	3
03:15 AM	0	0	0	0	0	0	4	0	0	4	0	0	0	0	0	0	1	0	0	1	5
03:30 AM	0	0	1	0	1	0	4	0	0	4	0	0	0	0	0	1	1	1	0	3	8
03:45 AM	0	0	0	0	0	0	6	0	0	6	0	0	0	0	0	0	1	1	0	2	8
Total	1	0	1	0	2	0	14	0	0	14	0	0	0	0	0	1	5	2	0	8	24
04:00 AM	2	1	0	0	3	0	4	0	0	4	0	0	0	0	0	0	4	1	0	5	12
04:15 AM	3	0	0	0	3	0	3	0	0	3	0	0	0	0	0	0	3	1	0	4	10
04:30 AM	3	0	0	0	3	0	8	0	0	8	0	0	0	0	0	0	4	0	0	4	15
04:45 AM	1	0	0	0	1	1	5	0	0	6	0	0	2	0	2	0	10	1	0	11	20
Total	9	1	0	0	10	1	20	0	0	21	0	0	2	0	2	0	21	3	0	24	57
05:00 AM	4	1	0	0	5	1	13	0	0	14	1	0	2	0	3	0	5	1	0	6	28
05:15 AM	2	0	0	0	2	0	25	0	0	25	2	0	5	0	7	1	4	1	0	6	40
05:30 AM	5	1	0	0	6	0	22	1	0	23	0	1	5	0	6	0	15	1	0	16	51
05:45 AM	5	1	1	0	7	0	22	0	0	22	2	0	5	0	7	1	27	2	0	30	66
Total	16	3	1	0	20	1	82	1	0	84	5	1	17	0	23	2	51	5	0	58	185
06:00 AM	10	1	1	0	12	0	38	0	0	38	0	0	7	0	7	1	17	0	0	18	75
06:15 AM	11	0	3	0	14	0	50	0	0	50	1	0	7	0	8	3	15	0	0	18	90
06:30 AM	12	1	1	0	14	0	43	0	0	43	0	0	21	0	21	5	23	6	0	34	112
06:45 AM	10	0	3	0	13	0	56	1	0	57	2	0	10	1	13	6	50	2	0	58	141
Total	43	2	8	0	53	0	187	1	0	188	3	0	45	1	49	15	105	8	0	128	418
07:00 AM	14	1	4	0	19	3	68	1	0	72	3	0	34	1	38	4	46	4	2	56	185
07:15 AM	12	0	5	0	17	1	85	0	0	86	1	1	36	0	38	5	42	7	2	56	197
07:30 AM	17	1	3	0	21	3	104	0	0	107	2	1	33	0	36	8	81	4	1	94	258
07:45 AM	14	0	7	0	21	2	90	0	0	92	2	0	27	0	29	9	105	8	0	122	264
Total	57	2	19	0	78	9	347	1	0	357	8	2	130	1	141	26	274	23	5	328	904
08:00 AM	15	0	1	0	16	4	74	0	0	78	2	2	31	0	35	7	85	6	0	98	227
08:15 AM	12	1	6	0	19	3	100	0	0	103	6	2	33	0	41	11	81	5	0	97	260
08:30 AM	10	1	8	0	19	3	77	4	0	84	4	0	20	0	24	13	86	4	0	103	230
08:45 AM	11	0	5	0	16	5	90	1	0	96	7	1	17	0	25	17	109	7	0	133	270
Total	48	2	20	0	70	15	341	5	0	361	19	5	101	0	125	48	361	22	0	431	987
09:00 AM	7	1	8	0	16	2	88	5	0	95	6	1	13	0	20	7	99	2	0	108	239
09:15 AM	6	1	2	1	10	7	104	1	0	112	1	1	19	1	22	7	103	3	1	114	258
09:30 AM	7	0	1	0	8	3	102	1	0	106	2	2	12	0	16	10	109	1	0	120	250
09:45 AM	8	2	2	0	12	2	120	6	0	128	3	0	13	0	16	5	116	4	0	125	281
Total	28	4	13	1	46	14	414	13	0	441	12	4	57	1	74	29	427	10	1	467	1028



701 Xenia Ave S, Suite 300
 Minneapolis, MN 55416

Tamarack Rd & Tamberwood Trl
 24 hours
 vehicles, heavy trucks, bikes, peds
 Woodbury, MN

File Name : Tamarack Rd & Tamberwood Trl
 Site Code : 6
 Start Date : 1/9/2024
 Page No : 2

Groups Printed- vehicles & peds - heavy trucks & bikes

Start Time	Tamberwood Trl From North					Tamarack Rd From East					Tamberwood Trl From South					Tamarack Rd From West					Int. Total
	Right	Thru	Left	bikes	App. Total	Right	Thru	Left	bikes	App. Total	Right	Thru	Left	bikes	App. Total	Right	Thru	Left	bikes	App. Total	
10:00 AM	7	1	2	0	10	4	119	2	0	125	0	1	14	0	15	3	103	6	0	112	262
10:15 AM	4	2	2	0	8	3	93	3	0	99	3	1	7	1	12	9	141	4	0	154	273
10:30 AM	13	1	5	0	19	5	115	1	0	121	6	1	13	0	20	6	108	2	0	116	276
10:45 AM	4	0	2	0	6	5	135	4	0	144	3	1	11	0	15	9	148	8	0	165	330
Total	28	4	11	0	43	17	462	10	0	489	12	4	45	1	62	27	500	20	0	547	1141
11:00 AM	6	2	2	0	10	5	134	3	0	142	5	0	13	0	18	10	118	5	0	133	303
11:15 AM	10	1	5	0	16	3	139	4	0	146	5	0	14	0	19	7	141	4	0	152	333
11:30 AM	6	1	5	0	12	5	163	0	0	168	5	1	17	0	23	8	131	4	0	143	346
11:45 AM	4	1	3	0	8	2	188	1	1	192	4	0	12	1	17	10	151	4	0	165	382
Total	26	5	15	0	46	15	624	8	1	648	19	1	56	1	77	35	541	17	0	593	1364
12:00 PM	13	0	2	0	15	5	164	2	0	171	2	0	12	0	14	15	150	9	0	174	374
12:15 PM	8	0	2	0	10	2	160	5	0	167	5	2	12	0	19	9	149	2	0	160	356
12:30 PM	7	0	3	0	10	4	150	2	0	156	5	0	9	0	14	14	150	7	0	171	351
12:45 PM	9	1	6	0	16	5	168	2	0	175	13	2	6	0	21	19	163	8	0	190	402
Total	37	1	13	0	51	16	642	11	0	669	25	4	39	0	68	57	612	26	0	695	1483
01:00 PM	10	0	3	0	13	5	159	5	0	169	1	2	9	1	13	11	156	10	0	177	372
01:15 PM	5	0	3	0	8	4	147	5	0	156	3	0	9	1	13	13	165	5	0	183	360
01:30 PM	2	1	8	0	11	7	175	6	0	188	7	1	11	1	20	21	148	6	0	175	394
01:45 PM	8	0	0	0	8	2	146	4	0	152	5	1	11	0	17	13	148	6	0	167	344
Total	25	1	14	0	40	18	627	20	0	665	16	4	40	3	63	58	617	27	0	702	1470
02:00 PM	5	1	3	0	9	5	169	5	0	179	5	0	13	1	19	15	129	2	0	146	353
02:15 PM	13	0	2	0	15	10	159	4	0	173	6	2	8	1	17	8	174	12	1	195	400
02:30 PM	8	2	6	0	16	5	162	3	0	170	4	1	10	0	15	19	174	13	0	206	407
02:45 PM	10	1	4	0	15	2	160	5	0	167	3	1	9	2	15	17	167	11	2	197	394
Total	36	4	15	0	55	22	650	17	0	689	18	4	40	4	66	59	644	38	3	744	1554
03:00 PM	11	1	4	0	16	5	154	4	0	163	7	0	15	2	24	20	177	12	0	209	412
03:15 PM	10	1	3	0	14	7	184	5	0	196	4	0	16	0	20	27	218	15	0	260	490
03:30 PM	7	0	8	0	15	4	159	4	0	167	4	5	14	0	23	16	183	11	0	210	415
03:45 PM	6	5	11	0	22	7	173	3	0	183	5	0	7	1	13	25	212	9	0	246	464
Total	34	7	26	0	67	23	670	16	0	709	20	5	52	3	80	88	790	47	0	925	1781
04:00 PM	14	1	3	0	18	12	184	9	0	205	6	0	10	0	16	32	230	14	0	276	515
04:15 PM	8	1	5	0	14	4	202	8	0	214	7	1	20	0	28	29	217	15	1	262	518
04:30 PM	9	1	6	0	16	13	203	3	0	219	7	0	12	0	19	23	194	16	1	234	488
04:45 PM	7	1	5	0	13	8	190	5	0	203	7	1	15	1	24	30	223	14	2	269	509
Total	38	4	19	0	61	37	779	25	0	841	27	2	57	1	87	114	864	59	4	1041	2030
05:00 PM	13	0	5	0	18	14	218	6	0	238	8	2	19	0	29	27	184	12	0	223	508
05:15 PM	11	0	2	0	13	9	164	10	0	183	6	0	14	0	20	35	216	13	0	264	480
05:30 PM	5	0	9	0	14	5	157	9	0	171	2	0	12	0	14	24	196	9	0	229	428
05:45 PM	4	0	6	0	10	6	172	8	0	186	3	1	15	0	19	18	155	11	0	184	399
Total	33	0	22	0	55	34	711	33	0	778	19	3	60	0	82	104	751	45	0	900	1815
06:00 PM	6	0	9	0	15	4	151	2	0	157	5	1	11	0	17	26	129	8	0	163	352
06:15 PM	9	1	4	0	14	12	144	5	0	161	4	0	16	0	20	17	121	11	0	149	344
06:30 PM	10	1	3	0	14	5	130	2	0	137	4	0	5	0	9	11	91	8	0	110	270
06:45 PM	2	1	1	0	4	8	133	6	0	147	2	0	8	0	10	11	82	11	0	104	265
Total	27	3	17	0	47	29	558	15	0	602	15	1	40	0	56	65	423	38	0	526	1231
07:00 PM	3	0	4	0	7	7	135	5	0	147	0	0	8	0	8	10	84	11	0	105	267
07:15 PM	6	0	0	0	6	6	105	2	0	113	3	0	11	0	14	11	71	10	0	92	225
07:30 PM	5	1	1	0	7	1	111	4	0	116	5	0	4	0	9	11	90	4	0	105	237
07:45 PM	6	0	2	0	8	3	90	2	0	95	2	0	11	0	13	13	69	4	0	86	202
Total	20	1	7	0	28	17	441	13	0	471	10	0	34	0	44	45	314	29	0	388	931



701 Xenia Ave S, Suite 300
 Minneapolis, MN 55416

Tamarack Rd & Tamberwood Trl
 24 hours
 vehicles, heavy trucks, bikes, peds
 Woodbury, MN

File Name : Tamarack Rd & Tamberwood Trl
 Site Code : 6
 Start Date : 1/9/2024
 Page No : 3

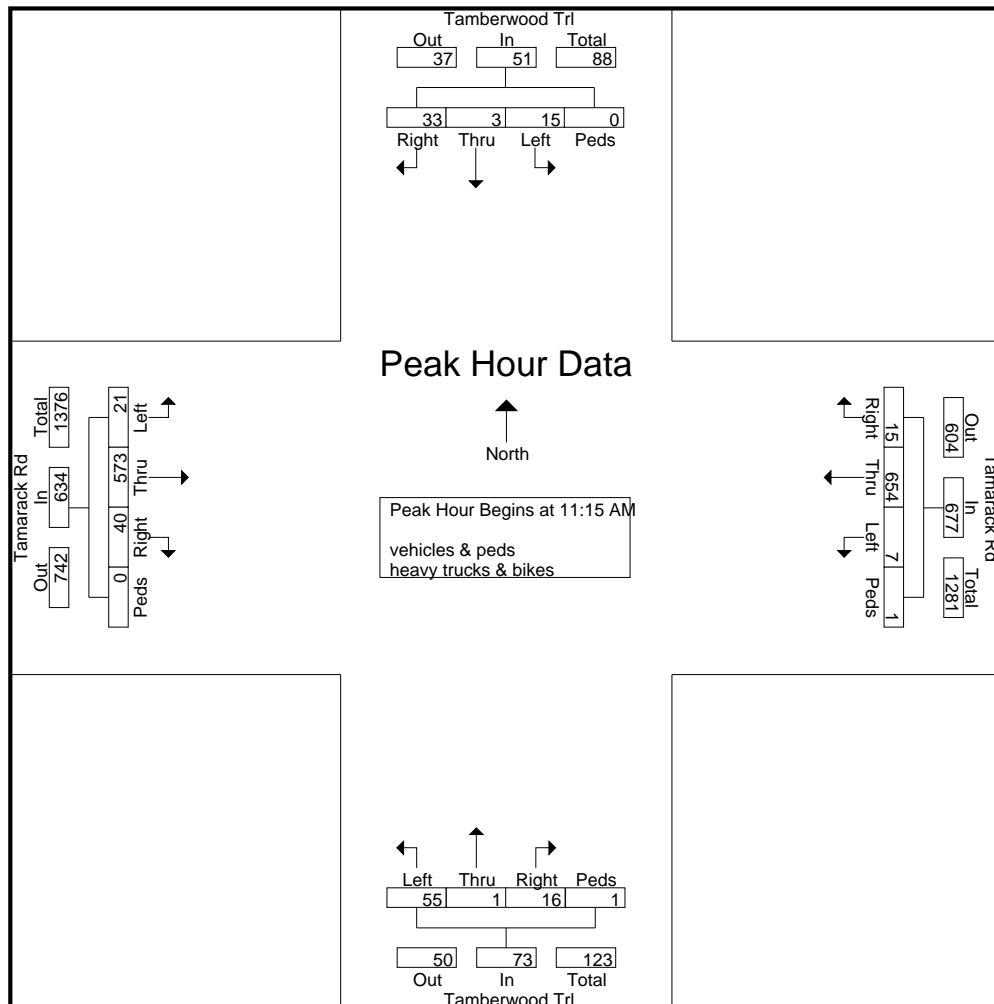
Groups Printed- vehicles & peds - heavy trucks & bikes

Start Time	Tamberwood Trl From North					Tamarack Rd From East					Tamberwood Trl From South					Tamarack Rd From West					Int. Total
	Right	Thru	Left	bikes	App. Total	Right	Thru	Left	bikes	App. Total	Right	Thru	Left	bikes	App. Total	Right	Thru	Left	bikes	App. Total	
08:00 PM	2	0	2	0	4	1	81	6	0	88	1	0	7	0	8	14	67	7	0	88	188
08:15 PM	1	0	2	0	3	4	84	1	0	89	1	0	4	0	5	15	53	8	0	76	173
08:30 PM	6	0	1	0	7	3	57	2	0	62	0	0	7	0	7	14	53	10	0	77	153
08:45 PM	5	0	2	0	7	6	53	1	0	60	1	0	7	0	8	12	58	8	0	78	153
Total	14	0	7	0	21	14	275	10	0	299	3	0	25	0	28	55	231	33	0	319	667
09:00 PM	2	0	0	0	2	4	70	4	0	78	3	2	3	0	8	10	37	7	0	54	142
09:15 PM	1	0	1	0	2	5	37	1	0	43	0	0	1	0	1	5	29	5	0	39	85
09:30 PM	0	1	1	0	2	2	41	0	0	43	0	0	1	0	1	8	31	2	0	41	87
09:45 PM	2	0	0	0	2	2	26	0	0	28	1	0	2	0	3	10	20	5	0	35	68
Total	5	1	2	0	8	13	174	5	0	192	4	2	7	0	13	33	117	19	0	169	382
10:00 PM	4	0	0	0	4	5	32	2	0	39	0	0	0	0	0	4	18	3	0	25	68
10:15 PM	2	0	0	0	2	0	11	1	0	12	0	0	4	0	4	3	19	0	0	22	40
10:30 PM	1	0	0	0	1	1	20	0	0	21	0	0	0	0	0	2	18	6	0	26	48
10:45 PM	1	0	0	0	1	3	19	4	0	26	1	0	0	0	1	6	11	2	0	19	47
Total	8	0	0	0	8	9	82	7	0	98	1	0	4	0	5	15	66	11	0	92	203
11:00 PM	1	0	0	0	1	1	18	0	0	19	0	0	1	0	1	1	9	2	0	12	33
11:15 PM	0	0	0	0	0	1	8	1	0	10	0	0	1	0	1	1	2	2	0	5	16
11:30 PM	0	0	1	0	1	0	10	0	0	10	0	0	0	0	0	3	7	0	0	10	21
11:45 PM	1	0	0	0	1	1	6	0	0	7	0	0	0	0	0	0	10	2	0	12	20
Total	2	0	1	0	3	3	42	1	0	46	0	0	2	0	2	5	28	6	0	39	90
12:00 AM	0	0	0	0	0	0	0	0	0	0	0	0	0	0	0	0	0	0	0	0	0
Grand Total	541	45	231	1	818	309	8182	212	1	8704	236	42	857	16	1151	887	7773	500	13	9173	19846
Apprch %	66.1	5.5	28.2	0.1		3.6	94	2.4	0		20.5	3.6	74.5	1.4		9.7	84.7	5.5	0.1		
Total %	2.7	0.2	1.2	0	4.1	1.6	41.2	1.1	0	43.9	1.2	0.2	4.3	0.1	5.8	4.5	39.2	2.5	0.1	46.2	
vehicles & peds	540	45	231	0	816	309	8162	212	1	8684	236	42	857	15	1150	887	7764	499	12	9162	19812
% vehicles & peds	99.8	100	100	0	99.8	100	99.8	100	100	99.8	100	100	100	93.8	99.9	100	99.9	99.8	92.3	99.9	99.8
heavy trucks & bikes	1	0	0	1	2	0	20	0	0	20	0	0	0	1	1	0	9	1	1	11	34
% heavy trucks & bikes	0.2	0	0	100	0.2	0	0.2	0	0	0.2	0	0	0	6.2	0.1	0	0.1	0.2	7.7	0.1	0.2

Tamarack Rd & Tamberwood Trl
24 hours
vehicles, heavy trucks, bikes, peds
Woodbury, MN

File Name : Tamarack Rd & Tamberwood Trl
Site Code : 6
Start Date : 1/9/2024
Page No : 4

Start Time	Tamberwood Trl From North					Tamarack Rd From East					Tamberwood Trl From South					Tamarack Rd From West					Int. Total
	Rig ht	Thr u	Left	bike s	App. Total	Rig ht	Thr u	Left	bike s	App. Total	Rig ht	Thr u	Left	bike s	App. Total	Rig ht	Thr u	Left	bike s	App. Total	
Peak Hour Analysis From 12:00 AM to 12:00 PM - Peak 1 of 1																					
Peak Hour for Entire Intersection Begins at 11:15 AM																					
11:15 AM	10	1	5	0	16	3	139	4	0	146	5	0	14	0	19	7	141	4	0	152	333
11:30 AM	6	1	5	0	12	5	163	0	0	168	5	1	17	0	23	8	131	4	0	143	346
11:45 AM	4	1	3	0	8	2	188	1	1	192	4	0	12	1	17	10	151	4	0	165	382
12:00 PM	13	0	2	0	15	5	164	2	0	171	2	0	12	0	14	15	150	9	0	174	374
Total Volume	33	3	15	0	51	15	654	7	1	677	16	1	55	1	73	40	573	21	0	634	1435
% App. Total	64.7	5.9	29.4	0		2.2	96.6	1	0.1		21.9	1.4	75.3	1.4		6.3	90.4	3.3	0		
PHF	.635	.750	.750	.000	.797	.750	.870	.438	.250	.882	.800	.250	.809	.250	.793	.667	.949	.583	.000	.911	.939



Tamarack Rd & Tamberwood Trl
24 hours
vehicles, heavy trucks, bikes, peds
Woodbury, MN

File Name : Tamarack Rd & Tamberwood Trl
Site Code : 6
Start Date : 1/9/2024
Page No : 5

Start Time	Tamberwood Trl From North					Tamarack Rd From East					Tamberwood Trl From South					Tamarack Rd From West					Int. Total
	Rig ht	Thr u	Left	bike s	App. Total	Rig ht	Thr u	Left	bike s	App. Total	Right	Thr u	Left	bikes	App. Total	Right	Thr u	Left	bikes	App. Total	
Peak Hour Analysis From 12:15 PM to 12:00 AM - Peak 1 of 1																					
Peak Hour for Entire Intersection Begins at 04:00 PM																					
04:00 PM	14	1	3	0	18	12	184	9	0	205	6	0	10	0	16	32	230	14	0	276	515
04:15 PM	8	1	5	0	14	4	202	8	0	214	7	1	20	0	28	29	217	15	1	262	518
04:30 PM	9	1	6	0	16	13	203	3	0	219	7	0	12	0	19	23	194	16	1	234	488
04:45 PM	7	1	5	0	13	8	190	5	0	203	7	1	15	1	24	30	223	14	2	269	509
Total Volume	38	4	19	0	61	37	779	25	0	841	27	2	57	1	87	114	864	59	4	1041	2030
% App. Total	62.3	6.6	31.1	0		4.4	92.6	3	0		31	2.3	65.5	1.1		11	83	5.7	0.4		
PHF	.679	1.00	.792	.000	.847	.712	.959	.694	.000	.960	.964	.500	.713	.250	.777	.891	.939	.922	.500	.943	.980

