



# MINNESOTA DEPT OF TRANSPORTATION

## TRAFFIC DATA COLLECTION - METRO

I-494 AT 5th AVE , NORTH RAMPS  
 REF.PT.: 065.106  
 JAMAR # 631 RE  
 TURN MOVEMENT COUNT

File Name : I-494 AT 5TH AVE N RAMP 2006  
 Site Code : 00000000  
 Start Date : 9/27/2006  
 Page No : 1

### Groups Printed- Cars & Trucks

Start Time	5TH AVE Southbound				Ramp from I-494 WB Westbound				5TH AVE Northbound				Frontage Rd - one way (WB) Eastbound				Int. Total	
	Left	Thru	Right	Peds	Left	Thru	Right	Peds	Left	Thru	Right	Peds	Left	Thru	Right	Peds		
06:00	0	24	3	0	14	5	6	0	2	11	0	0	0	0	0	0	0	65
06:15	0	33	3	0	12	10	14	0	4	12	0	0	0	0	0	0	0	88
06:30	0	39	2	0	11	9	10	0	5	13	0	0	0	0	0	0	0	89
06:45	0	45	4	1	25	5	11	0	2	21	0	3	0	0	0	0	0	117
Total	0	141	12	1	62	29	41	0	13	57	0	3	0	0	0	0	0	359
07:00	0	48	0	0	32	5	21	0	3	54	0	2	0	0	0	0	0	165
07:15	0	58	6	0	18	5	15	0	9	57	0	0	0	0	0	0	0	168
07:30	0	72	3	0	27	4	24	0	10	29	0	0	0	0	0	0	0	169
07:45	0	77	6	0	28	4	15	1	6	42	0	0	0	0	0	0	0	179
Total	0	255	15	0	105	18	75	1	28	182	0	2	0	0	0	0	0	681
08:00	0	37	6	1	30	9	19	0	4	20	0	0	0	0	0	0	0	126
08:15	0	49	3	3	20	8	12	0	3	27	0	0	0	0	0	0	0	125
08:30	0	55	4	0	22	9	11	0	5	21	0	0	0	0	0	0	0	127
08:45	0	66	2	0	25	9	11	0	15	49	0	0	0	0	0	0	0	177
Total	0	207	15	4	97	35	53	0	27	117	0	0	0	0	0	0	0	555
*** BREAK ***																		
15:00	0	60	3	3	35	17	22	0	12	41	0	2	0	0	0	0	0	195
15:15	0	60	2	2	39	18	22	0	5	41	0	1	0	0	0	0	0	190
15:30	0	66	2	0	32	21	15	0	11	72	0	4	0	0	0	0	0	223
15:45	0	53	7	1	44	15	32	1	13	76	0	10	0	0	0	0	0	252
Total	0	239	14	6	150	71	91	1	41	230	0	17	0	0	0	0	0	860
16:00	0	68	7	5	39	10	25	0	9	57	0	4	0	0	0	0	3	227
16:15	0	60	5	0	43	14	33	0	6	55	0	0	0	0	0	0	0	216
16:30	0	59	5	4	41	24	35	0	8	47	0	2	0	0	0	0	0	225
16:45	0	50	6	2	45	13	20	0	5	62	0	5	0	0	0	0	0	208
Total	0	237	23	11	168	61	113	0	28	221	0	11	0	0	0	0	3	876
17:00	0	64	4	1	44	14	33	0	3	63	0	4	0	0	0	0	0	230
17:15	0	63	7	0	44	13	48	0	15	72	0	2	0	0	0	0	0	264
17:30	0	85	8	4	47	8	27	0	14	47	0	3	0	0	0	0	0	243
17:45	0	65	8	3	44	11	28	0	2	51	0	0	0	0	0	0	0	212
Total	0	277	27	8	179	46	136	0	34	233	0	9	0	0	0	0	0	949
Grand Total	0	1356	106	30	761	260	509	2	171	1040	0	42	0	0	0	3		4280
Apprch %	0	90.9	7.1	2	49.7	17	33.2	0.1	13.6	83	0	3.4	0	0	0	100		
Total %	0	31.7	2.5	0.7	17.8	6.1	11.9	0	4	24.3	0	1	0	0	0	0.1		



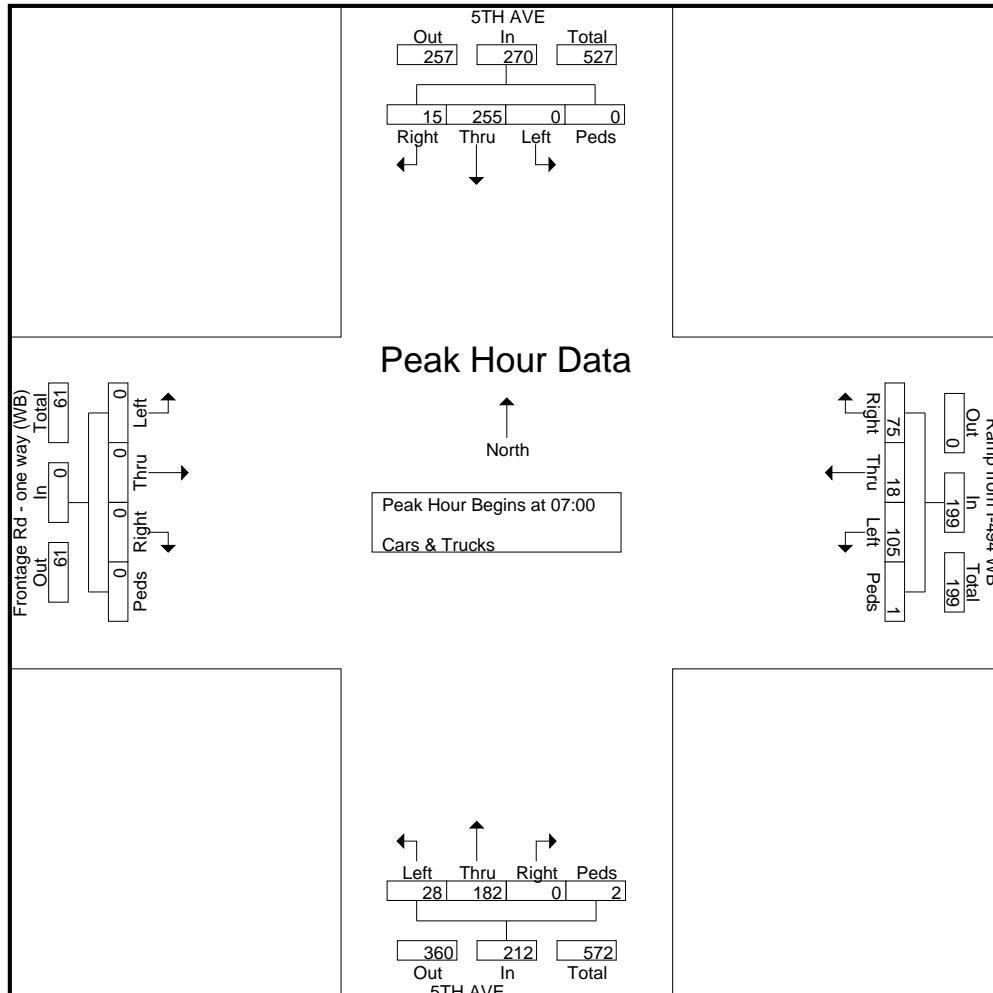
# MINNESOTA DEPT OF TRANSPORTATION

## TRAFFIC DATA COLLECTION - METRO

I-494 AT 5th AVE , NORTH RAMPS  
 REF.PT.: 065.106  
 JAMAR # 631 RE  
 TURN MOVEMENT COUNT

File Name : I-494 AT 5TH AVE N RAMP 2006  
 Site Code : 00000000  
 Start Date : 9/27/2006  
 Page No : 2

Start Time	5TH AVE Southbound					Ramp from I-494 WB Westbound					5TH AVE Northbound					Frontage Rd - one way (WB) Eastbound					Int. Total
	Left	Thru	Right	Peds	App. Total	Left	Thru	Right	Peds	App. Total	Left	Thru	Right	Peds	App. Total	Left	Thru	Right	Peds	App. Total	
Peak Hour Analysis From 06:00 to 08:45 - Peak 1 of 1																					
Peak Hour for Entire Intersection Begins at 07:00																					
07:00	0	48	0	0	48	32	5	21	0	58	3	54	0	2	59	0	0	0	0	0	165
07:15	0	58	6	0	64	18	5	15	0	38	9	57	0	0	66	0	0	0	0	0	168
07:30	0	72	3	0	75	27	4	24	0	55	10	29	0	0	39	0	0	0	0	0	169
07:45	0	77	6	0	83	28	4	15	1	48	6	42	0	0	48	0	0	0	0	0	179
Total Volume	0	255	15	0	270	105	18	75	1	199	28	182	0	2	212	0	0	0	0	0	681
% App. Total	0	94.4	5.6	0		52.8	9	37.7	0.5		13.2	85.8	0	0.9		0	0	0	0		
PHF	.000	.828	.625	.000	.813	.820	.900	.781	.250	.858	.700	.798	.000	.250	.803	.000	.000	.000	.000	.000	.951





# MINNESOTA DEPT OF TRANSPORTATION

## TRAFFIC DATA COLLECTION - METRO

I-494 AT 5th AVE , NORTH RAMPS  
 REF.PT.: 065.106  
 JAMAR # 631 RE  
 TURN MOVEMENT COUNT

File Name : I-494 AT 5TH AVE N RAMP 2006  
 Site Code : 00000000  
 Start Date : 9/27/2006  
 Page No : 3

Start Time	5TH AVE Southbound					Ramp from I-494 WB Westbound					5TH AVE Northbound					Frontage Rd - one way (WB) Eastbound					Int. Total
	Left	Thru	Right	Peds	App. Total	Left	Thru	Right	Peds	App. Total	Left	Thru	Right	Peds	App. Total	Left	Thru	Right	Peds	App. Total	
Peak Hour Analysis From 15:00 to 17:45 - Peak 1 of 1																					
Peak Hour for Entire Intersection Begins at 17:00																					
17:00	0	64	4	1	69	44	14	33	0	91	3	63	0	4	70	0	0	0	0	0	230
17:15	0	63	7	0	70	44	13	48	0	105	15	72	0	2	89	0	0	0	0	0	264
17:30	0	85	8	4	97	47	8	27	0	82	14	47	0	3	64	0	0	0	0	0	243
17:45	0	65	8	3	76	44	11	28	0	83	2	51	0	0	53	0	0	0	0	0	212
Total Volume	0	277	27	8	312	179	46	136	0	361	34	233	0	9	276	0	0	0	0	0	949
% App. Total	0	88.8	8.7	2.6		49.6	12.7	37.7	0		12.3	84.4	0	3.3		0	0	0	0	0	
PHF	.000	.815	.844	.500	.804	.952	.821	.708	.000	.860	.567	.809	.000	.563	.775	.000	.000	.000	.000	.000	.899

