

Alliant Inc

CSAH 10 and Hallmark Ave
 Ref Pt. 057+00.365
 Alliant Engineering
 TURN MOVEMENT COUNT

File Name : 403_CSAH 10 & Hallmark Ave
 Site Code : 00000000
 Start Date : 5/24/2016
 Page No : 1

Groups Printed- Cars

Start Time	Hallmark Ave Southbound				CSAH 10 Westbound				Hallmark Ave Northbound				CSAH 10 Eastbound				Int. Total
	Peds	Left	Thru	Right	Peds	Left	Thru	Right	Peds	Left	Thru	Right	Peds	Left	Thru	Right	
06:00	0	15	1	4	0	19	56	14	0	1	2	14	0	4	92	4	226
06:15	0	11	0	9	0	17	75	19	0	1	1	16	0	6	137	7	299
06:30	0	13	3	8	0	15	115	18	0	2	0	16	0	4	155	3	352
06:45	0	20	1	12	0	29	167	30	0	1	0	8	0	10	128	5	411
Total	0	59	5	33	0	80	413	81	0	5	3	54	0	24	512	19	1288
07:00	0	22	1	6	0	22	155	24	0	0	2	20	0	9	153	4	418
07:15	0	17	0	11	0	29	174	27	0	4	2	20	0	9	182	5	480
07:30	0	22	1	14	0	37	250	32	0	0	2	18	0	6	171	9	562
07:45	0	23	1	19	0	43	275	30	0	4	6	19	0	4	152	10	586
Total	0	84	3	50	0	131	854	113	0	8	12	77	0	28	658	28	2046
08:00	0	25	2	11	0	24	268	27	0	5	1	20	0	8	153	9	553
08:15	0	22	1	11	0	23	156	31	0	3	2	15	0	7	160	11	442
08:30	0	30	3	9	0	21	148	30	0	5	4	14	0	10	124	15	413
08:45	0	26	2	17	0	36	135	41	0	7	3	21	0	9	143	15	455
Total	0	103	8	48	0	104	707	129	0	20	10	70	0	34	580	50	1863
09:00	0	23	7	13	0	36	111	23	0	6	2	24	0	12	141	13	411
09:15	0	21	2	10	0	29	112	27	0	4	5	14	0	7	137	10	378
09:30	0	19	2	8	0	23	87	30	0	7	2	26	0	11	115	23	353
09:45	0	20	3	11	0	36	106	43	0	7	6	27	0	9	117	14	399
Total	0	83	14	42	0	124	416	123	0	24	15	91	0	39	510	60	1541
10:00	0	23	1	6	0	29	105	18	0	3	3	22	0	8	109	21	348
10:15	0	19	3	17	0	23	79	29	0	4	5	22	0	5	131	15	352
10:30	0	19	7	10	0	29	79	33	0	10	3	19	0	17	113	17	356
10:45	0	26	9	14	0	45	84	42	0	6	1	30	0	7	127	22	413
Total	0	87	20	47	0	126	347	122	0	23	12	93	0	37	480	75	1469
11:00	0	23	6	5	0	38	95	39	0	5	7	26	1	11	111	13	380
11:15	0	25	7	11	0	44	95	34	0	11	5	41	0	18	157	28	476
11:30	0	41	4	12	0	39	101	38	0	16	10	42	0	18	144	30	495
11:45	0	16	3	14	0	73	119	38	0	17	5	51	0	23	150	26	535
Total	0	105	20	42	0	194	410	149	0	49	27	160	1	70	562	97	1886
12:00	0	37	3	24	0	50	124	41	0	15	9	50	0	17	115	28	513
12:15	0	40	4	14	0	37	110	31	0	10	4	49	0	18	150	31	498
12:30	0	25	5	15	0	48	110	44	0	12	7	55	0	18	139	18	496
12:45	0	37	8	27	0	46	121	44	0	11	2	32	0	13	138	18	497
Total	0	139	20	80	0	181	465	160	0	48	22	186	0	66	542	95	2004
13:00	0	37	5	23	0	45	143	43	0	9	5	39	0	11	120	17	497
13:15	0	39	7	14	0	39	107	31	0	9	1	41	0	7	122	23	440
13:30	0	33	4	14	0	40	131	32	0	12	4	33	0	13	131	18	465
13:45	0	33	2	9	0	45	138	38	0	9	4	27	0	15	155	21	496
Total	0	142	18	60	0	169	519	144	0	39	14	140	0	46	528	79	1898
14:00	0	30	3	21	0	41	116	34	0	14	7	46	0	16	142	24	494
14:15	0	28	6	12	0	49	174	46	0	12	3	46	0	14	146	21	557
14:30	0	26	5	16	0	32	142	50	0	13	4	41	0	12	127	21	489
14:45	0	43	4	22	0	58	175	50	0	16	8	53	0	16	171	21	637
Total	0	127	18	71	0	180	607	180	0	55	22	186	0	58	586	87	2177
15:00	0	44	5	20	0	38	178	39	0	12	6	41	0	12	225	21	641
15:15	0	35	8	7	0	62	191	47	0	15	5	49	0	12	192	27	650
15:30	0	28	2	18	0	52	157	34	0	10	7	49	0	18	262	21	658
15:45	0	45	2	14	0	53	220	60	0	18	6	56	0	18	232	18	742
Total	0	152	17	59	0	205	746	180	0	55	24	195	0	60	911	87	2691
16:00	0	42	1	18	0	50	212	45	0	11	8	64	0	15	247	15	728

Alliant Inc

CSAH 10 and Hallmark Ave
 Ref Pt. 057+00.365
 Alliant Engineering
 TURN MOVEMENT COUNT

File Name : 403_CSAH 10 & Hallmark Ave
 Site Code : 00000000
 Start Date : 5/24/2016
 Page No : 2

Groups Printed- Cars

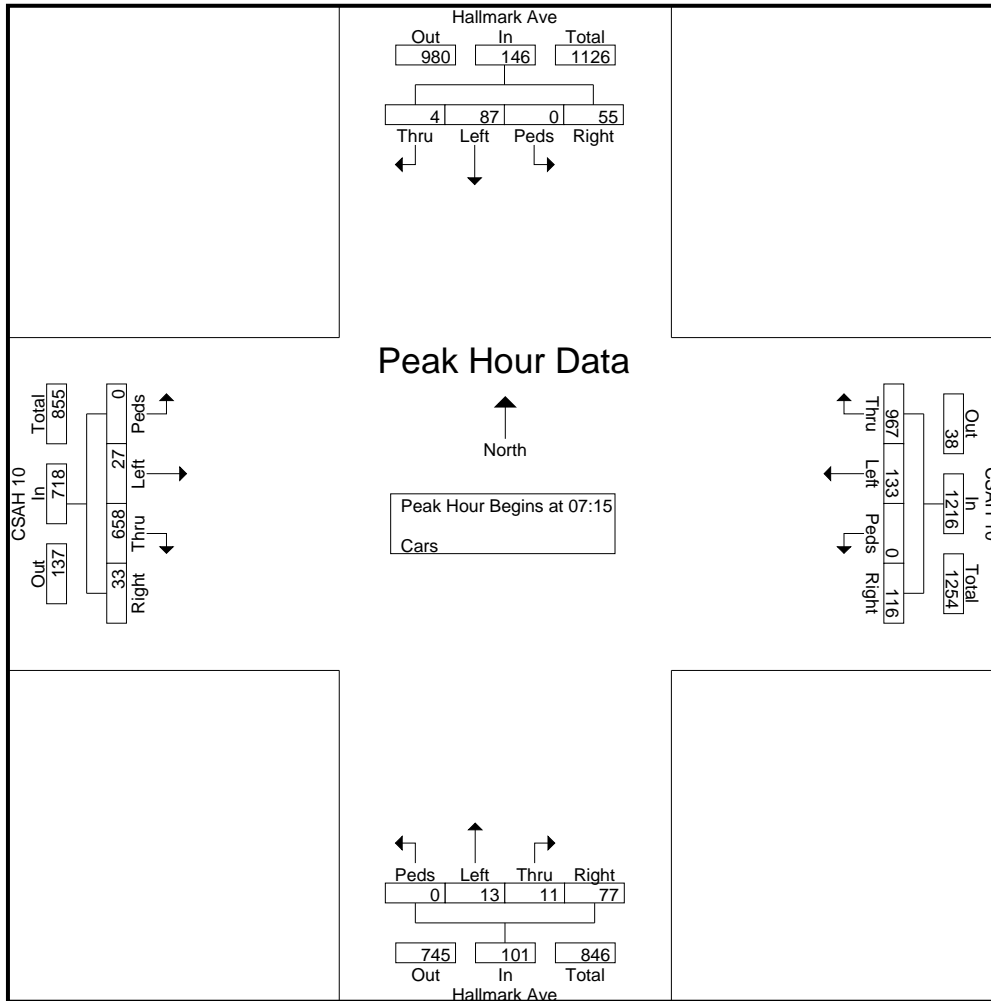
Start Time	Hallmark Ave Southbound				CSAH 10 Westbound				Hallmark Ave Northbound				CSAH 10 Eastbound				Int. Total
	Peds	Left	Thru	Right	Peds	Left	Thru	Right	Peds	Left	Thru	Right	Peds	Left	Thru	Right	
16:15	0	46	4	15	0	38	184	40	0	10	9	49	0	14	282	20	711
16:30	0	49	4	15	0	61	223	49	0	12	6	41	0	13	279	22	774
16:45	0	36	1	13	0	41	211	49	0	16	13	47	0	19	286	25	757
Total	0	173	10	61	0	190	830	183	0	49	36	201	0	61	1094	82	2970
17:00	0	31	2	19	0	40	196	45	0	3	10	55	0	15	275	27	718
17:15	0	29	4	24	0	53	189	43	0	14	7	54	0	17	272	19	725
17:30	0	31	4	18	0	56	166	54	0	19	5	55	0	20	228	21	677
17:45	0	28	8	17	0	48	188	49	0	10	4	54	0	23	217	28	674
Total	0	119	18	78	0	197	739	191	0	46	26	218	0	75	992	95	2794
18:00	0	42	5	17	0	54	213	51	0	8	4	53	0	18	198	23	686
18:15	0	40	3	19	0	48	145	40	0	13	5	47	0	13	207	34	614
18:30	0	34	3	14	0	49	167	54	0	10	2	56	0	15	151	29	584
18:45	0	35	2	6	0	33	134	45	0	18	5	35	0	15	163	21	512
Total	0	151	13	56	0	184	659	190	0	49	16	191	0	61	719	107	2396
Grand Total	0	1524	184	727	0	2065	7712	1945	0	470	239	1862	1	659	8674	961	27023
Apprch %	0	62.6	7.6	29.9	0	17.6	65.8	16.6	0	18.3	9.3	72.4	0	6.4	84.3	9.3	
Total %	0	5.6	0.7	2.7	0	7.6	28.5	7.2	0	1.7	0.9	6.9	0	2.4	32.1	3.6	

Alliant Inc

CSAH 10 and Hallmark Ave
 Ref Pt. 057+00.365
 Alliant Engineering
 TURN MOVEMENT COUNT

File Name : 403_CSAH 10 & Hallmark Ave
 Site Code : 00000000
 Start Date : 5/24/2016
 Page No : 3

Start Time	Hallmark Ave Southbound					CSAH 10 Westbound					Hallmark Ave Northbound					CSAH 10 Eastbound					Int. Total
	Peds	Left	Thru	Right	App. Total	Peds	Left	Thru	Right	App. Total	Peds	Left	Thru	Right	App. Total	Peds	Left	Thru	Right	App. Total	
Peak Hour Analysis From 06:00 to 11:45 - Peak 1 of 1																					
Peak Hour for Entire Intersection Begins at 07:15																					
07:15	0	17	0	11	28	0	29	174	27	230	0	4	2	20		0	6	171	9	186	480
07:30	0	22	1	14	37	0	37	250	32	319	0	0	2	18	20	0	6	171	9	186	562
07:45	0	23	1	19	43	0	43	275		348	0	4	6	19	29	0	4	152	10		586
08:00	0	25	2									5									
Total Volume	0	87	4	55	146	0	133	967	116	1216	0	13	11	77	101	0	27	658	33	718	2181
% App. Total	0	59.6	2.7	37.7		0	10.9	79.5	9.5		0	12.9	10.9	76.2		0	3.8	91.6	4.6		
PHF	.000	.870	.500	.724	.849	.000	.773	.879	.906	.874	.000	.650	.458	.963	.871	.000	.750	.904	.825	.916	.930



Alliant Inc

CSAH 10 and Hallmark Ave
 Ref Pt. 057+00.365
 Alliant Engineering
 TURN MOVEMENT COUNT

File Name : 403_CSAH 10 & Hallmark Ave
 Site Code : 00000000
 Start Date : 5/24/2016
 Page No : 4

Start Time	Hallmark Ave Southbound					CSAH 10 Westbound					Hallmark Ave Northbound					CSAH 10 Eastbound					Int. Total
	Peds	Left	Thru	Right	App. Total	Peds	Left	Thru	Right	App. Total	Peds	Left	Thru	Right	App. Total	Peds	Left	Thru	Right	App. Total	
Peak Hour Analysis From 12:00 to 18:45 - Peak 1 of 1																					
Peak Hour for Entire Intersection Begins at 16:30																					
16:30	0	49	4		68	0	61	223	49	333	0	12	6	41	59	0	13	279	22	314	774
16:45	0	36	1	13	50	0	41	211	49	301	0	16	13	47	76	0	19	286		330	757
17:00	0	31	2	19	52	0	40	196	45	281	0	3	10	55					27		
17:15	0	29	4	24	57	0	53	189	43	285	0	14	7	54	75	0	17	272	19	308	725
Total Volume	0	145	11	71	227	0	195	819	186	1200	0	45	36	197	278	0	64	1112	93	1269	2974
% App. Total																					
PHF	.000	.740	.688	.740	.835	.000	.799	.918	.949	.901	.000	.703	.692	.895	.914	.000	.842	.972	.861	.961	.961

