



MINNESOTA DEPT OF TRANSPORTATION

TRAFFIC DATA COLLECTION - METRO

TH-10 AT RAMSEY BLVD NW
 REF.PT.: 221.449
 JAMAR # 631/632 RE/DR
 TURN MOVEMENT COUNT

File Name : TH-10 at Ramsey Blvd 2006
 Site Code : 00000000
 Start Date : 11/28/2006
 Page No : 1

Groups Printed- Cars & Trucks

Start Time	RAMSEY BLVD NW Southbound				TH-10 Westbound				RIVERSIDE DR NW Northbound				TH-10 Eastbound				Int. Total
	Left	Thru	Right	Peds	Left	Thru	Right	Peds	Left	Thru	Right	Peds	Left	Thru	Right	Peds	
06:00	71	0	4	0	1	118	9	0	1	2	0	0	9	453	0	0	668
06:15	32	0	5	0	1	152	10	0	3	1	0	0	11	556	0	0	771
06:30	48	2	4	0	1	208	20	0	3	2	1	0	19	467	1	0	776
06:45	39	2	0	0	3	195	49	0	3	1	1	0	18	388	3	0	702
Total	190	4	13	0	6	673	88	0	10	6	2	0	57	1864	4	0	2917
07:00	53	4	4	0	1	170	28	0	1	0	0	0	5	443	1	0	710
07:15	53	2	5	0	2	227	33	0	3	3	1	0	15	456	2	0	802
07:30	35	1	7	0	6	275	28	0	4	0	0	0	17	473	0	0	846
07:45	35	5	14	0	1	250	44	0	1	2	0	0	21	364	2	0	739
Total	176	12	30	0	10	922	133	0	9	5	1	0	58	1736	5	0	3097
08:00	39	0	3	0	3	214	53	0	2	2	3	0	18	376	1	0	714
08:15	47	0	0	0	3	168	56	0	1	0	0	0	13	338	2	0	628
08:30	43	1	6	0	5	220	20	0	0	0	0	0	14	365	1	0	675
08:45	41	5	8	0	4	156	20	0	1	1	0	0	14	352	1	0	603
Total	170	6	17	0	15	758	149	0	4	3	3	0	59	1431	5	0	2620
*** BREAK ***																	
11:00	20	0	6	0	7	8	31	0	2	1	0	0	9	259	3	0	346
11:15	47	1	10	0	5	233	33	0	4	1	1	0	6	234	5	0	580
11:30	44	2	5	0	9	245	29	0	8	6	0	0	11	232	3	0	594
11:45	36	13	8	0	13	247	24	0	4	2	2	0	5	241	4	0	599
Total	147	16	29	0	34	733	117	0	18	10	3	0	31	966	15	0	2119
12:00	39	3	10	0	6	238	53	0	7	3	0	0	6	255	2	0	622
12:15	33	3	6	0	5	267	47	0	5	4	0	0	14	261	5	0	650
12:30	35	0	9	0	2	270	23	0	4	2	2	0	12	241	1	0	601
12:45	33	0	14	0	6	255	33	0	2	1	0	0	10	222	3	0	579
Total	140	6	39	0	19	1030	156	0	18	10	2	0	42	979	11	0	2452
*** BREAK ***																	
15:00	52	2	14	0	7	481	31	0	1	1	4	0	10	240	4	0	847
15:15	33	4	7	0	9	508	63	0	9	3	6	0	9	296	0	0	947
15:30	65	2	26	0	3	469	58	0	3	1	2	0	11	256	6	0	902
15:45	59	4	21	0	4	524	52	0	8	1	0	0	14	316	11	0	1014
Total	209	12	68	0	23	1982	204	0	21	6	12	0	44	1108	21	0	3710
16:00	43	0	20	0	9	522	51	0	5	3	0	0	11	293	2	0	959
16:15	29	5	10	0	9	486	67	0	4	0	2	0	8	306	2	0	928
16:30	50	8	28	0	9	511	65	0	6	2	2	0	11	319	5	0	1016
16:45	43	4	11	0	9	474	39	0	2	3	0	0	8	292	4	0	889
Total	165	17	69	0	36	1993	222	0	17	8	4	0	38	1210	13	0	3792
17:00	37	5	14	0	9	531	59	0	7	7	3	0	6	336	6	0	1020
17:15	33	3	10	0	2	491	58	0	6	3	2	0	11	294	4	0	917
17:30	40	5	11	0	6	449	68	0	2	4	2	0	6	251	3	0	847
17:45	25	3	8	0	8	504	68	0	3	4	4	0	10	231	1	0	869
Total	135	16	43	0	25	1975	253	0	18	18	11	0	33	1112	14	0	3653
Grand Total	1332	89	308	0	168	10066	1322	0	115	66	38	0	362	10406	88	0	24360
Apprch %	77	5.1	17.8	0	1.5	87.1	11.4	0	52.5	30.1	17.4	0	3.3	95.9	0.8	0	
Total %	5.5	0.4	1.3	0	0.7	41.3	5.4	0	0.5	0.3	0.2	0	1.5	42.7	0.4	0	



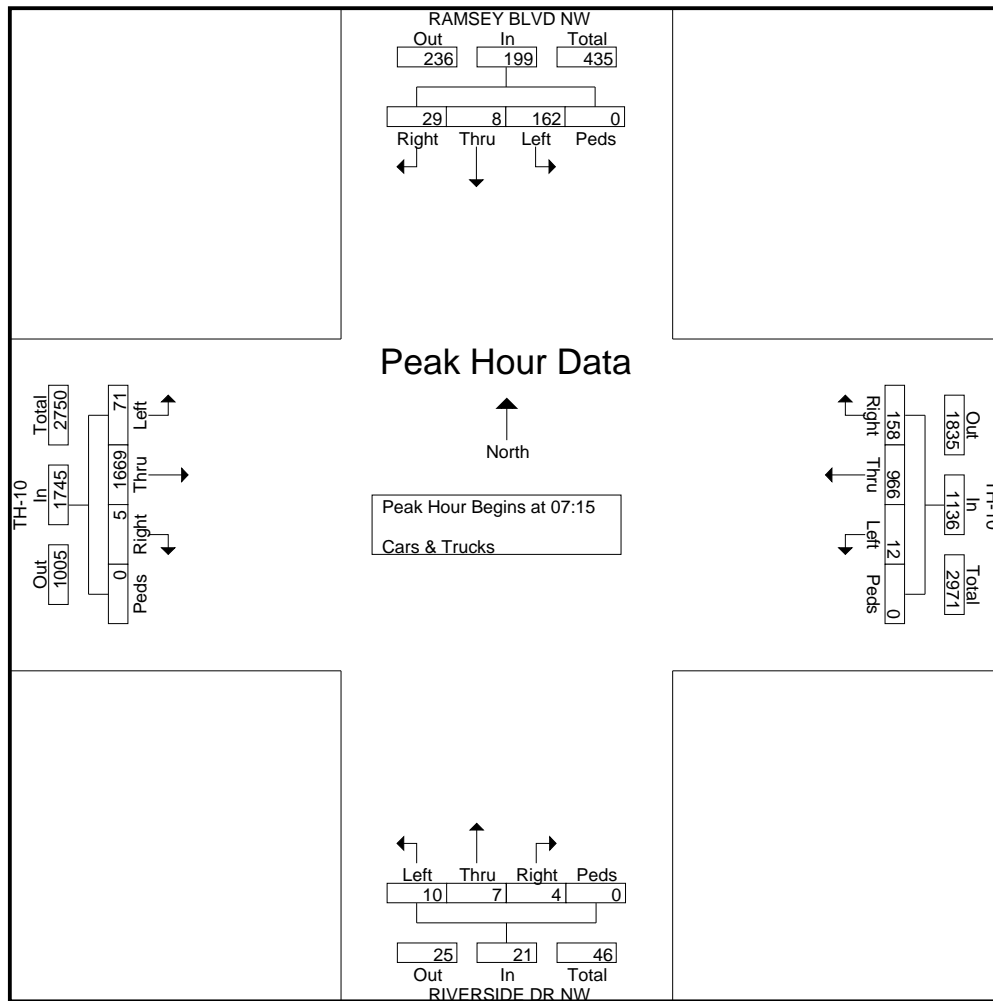
MINNESOTA DEPT OF TRANSPORTATION

TRAFFIC DATA COLLECTION - METRO

TH-10 AT RAMSEY BLVD NW
 REF.PT.: 221.449
 JAMAR # 631/632 RE/DR
 TURN MOVEMENT COUNT

File Name : TH-10 at Ramsey Blvd 2006
 Site Code : 00000000
 Start Date : 11/28/2006
 Page No : 2

Start Time	RAMSEY BLVD NW Southbound					TH-10 Westbound					RIVERSIDE DR NW Northbound					TH-10 Eastbound					Int. Total
	Left	Thru	Right	Peds	App. Total	Left	Thru	Right	Peds	App. Total	Left	Thru	Right	Peds	App. Total	Left	Thru	Right	Peds	App. Total	
Peak Hour Analysis From 06:00 to 08:45 - Peak 1 of 1																					
Peak Hour for Entire Intersection Begins at 07:15																					
07:15	53	2	5	0	60	2	227	33	0	262	3	3	1	0	7	15	456	2	0	473	802
07:30	35	1	7	0	43	6	275	28	0	309	4	0	0	0	4	17	473	0	0	490	846
07:45	35	5	14	0	54	1	250	44	0	295	1	2	0	0	3	21	364	2	0	387	739
08:00	39	0	3	0	42	3	214	53	0	270	2	2	3	0	7	18	376	1	0	395	714
Total Volume	162	8	29	0	199	12	966	158	0	1136	10	7	4	0	21	71	1669	5	0	1745	3101
% App. Total	81.4	4	14.6	0		1.1	85	13.9	0		47.6	33.3	19	0		4.1	95.6	0.3	0		
PHF	.764	.400	.518	.000	.829	.500	.878	.745	.000	.919	.625	.583	.333	.000	.750	.845	.882	.625	.000	.890	.916





MINNESOTA DEPT OF TRANSPORTATION

TRAFFIC DATA COLLECTION - METRO

TH-10 AT RAMSEY BLVD NW
 REF.PT.: 221.449
 JAMAR # 631/632 RE/DR
 TURN MOVEMENT COUNT

File Name : TH-10 at Ramsey Blvd 2006
 Site Code : 00000000
 Start Date : 11/28/2006
 Page No : 3

Start Time	RAMSEY BLVD NW Southbound					TH-10 Westbound					RIVERSIDE DR NW Northbound					TH-10 Eastbound					Int. Total
	Left	Thru	Right	Peds	App. Total	Left	Thru	Right	Peds	App. Total	Left	Thru	Right	Peds	App. Total	Left	Thru	Right	Peds	App. Total	
Peak Hour Analysis From 15:00 to 17:45 - Peak 1 of 1																					
Peak Hour for Entire Intersection Begins at 15:45																					
15:45	59	4	21	0	84	4	524	52	0	580	8	1	0	0	9	14	316	11	0	341	1014
16:00	43	0	20	0	63	9	522	51	0	582	5	3	0	0	8	11	293	2	0	306	959
16:15	29	5	10	0	44	9	486	67	0	562	4	0	2	0	6	8	306	2	0	316	928
16:30	50	8	28	0	86	9	511	65	0	585	6	2	2	0	10	11	319	5	0	335	1016
Total Volume	181	17	79	0	277	31	2043	235	0	2309	23	6	4	0	33	44	1234	20	0	1298	3917
% App. Total	65.3	6.1	28.5	0		1.3	88.5	10.2	0		69.7	18.2	12.1	0		3.4	95.1	1.5	0		
PHF	.767	.531	.705	.000	.805	.861	.975	.877	.000	.987	.719	.500	.500	.000	.825	.786	.967	.455	.000	.952	.964

