

MN Dept of Transportation

TRAFFIC DATA COLLECTION - Metro

TH-13 at CSAH-12
 Ref Pt.083+00.956
 Video by KM
 TURN MOVEMENT COUNT

File Name : TH-13 at CSAH-12
 Site Code :
 Start Date : 9/21/2016
 Page No : 1

Groups Printed- Cars +

Start Time	TH-13 Southbound				CSAH-12 Westbound				TH-13 Northbound				CSAH-12 Eastbound				Int. Total
	Left	Thru	Right	Peds	Left	Thru	Right	Peds	Left	Thru	Right	Peds	Left	Thru	Right	Peds	
06:00	0	19	6	0	0	0	0	0	0	73	0	0	19	0	1	0	118
06:15	0	20	6	0	0	0	0	0	0	88	0	0	26	0	1	0	141
06:30	0	29	13	0	0	1	0	0	1	109	0	0	35	0	1	0	189
06:45	0	46	12	0	0	0	0	1	2	132	0	0	43	0	2	0	238
Total	0	114	37	0	0	1	0	1	3	402	0	0	123	0	5	0	686
07:00	1	41	21	0	0	0	0	0	2	116	0	0	46	0	0	0	227
07:15	1	51	12	0	0	0	0	0	1	115	0	0	48	0	1	0	229
07:30	0	72	23	0	0	0	0	0	0	133	0	0	43	0	2	0	273
07:45	0	61	15	0	0	0	0	0	3	133	0	0	61	0	1	0	274
Total	2	225	71	0	0	0	0	0	6	497	0	0	198	0	4	0	1003
08:00	0	56	19	0	0	0	0	0	0	106	0	0	35	0	5	0	221
08:15	0	70	21	0	0	0	0	0	1	105	0	0	41	0	2	0	240
08:30	0	41	26	0	0	0	0	0	1	107	0	0	42	0	2	0	219
08:45	0	51	15	0	0	0	0	0	0	95	0	0	37	0	3	0	201
Total	0	218	81	0	0	0	0	0	2	413	0	0	155	0	12	0	881
09:00	0	50	15	0	0	0	0	0	2	64	0	0	28	0	0	0	159
09:15	1	44	7	0	0	0	0	0	0	59	0	0	25	0	0	0	136
09:30	0	54	20	0	0	0	0	0	0	55	0	0	24	0	0	0	153
09:45	0	47	21	0	0	0	0	0	0	52	0	0	26	0	0	0	146
Total	1	195	63	0	0	0	0	0	2	230	0	0	103	0	0	0	594
10:00	0	42	14	0	0	0	0	0	3	63	0	0	28	0	2	0	152
10:15	0	35	15	0	0	0	0	0	1	55	0	0	20	0	0	0	126
10:30	0	45	13	0	0	0	0	0	1	61	0	0	23	0	0	0	143
10:45	1	45	23	0	0	0	0	0	1	51	0	0	23	0	0	0	144
Total	1	167	65	0	0	0	0	0	6	230	0	0	94	0	2	0	565
11:00	0	45	17	0	0	0	0	0	3	53	0	0	36	0	1	0	155
11:15	0	36	25	0	0	0	0	0	0	39	0	0	29	0	0	0	129
11:30	0	42	28	0	0	0	0	0	1	51	0	0	26	0	0	0	148
11:45	0	42	28	0	0	0	0	0	1	53	0	0	23	0	1	0	148
Total	0	165	98	0	0	0	0	0	5	196	0	0	114	0	2	0	580
12:00	0	55	19	0	0	0	0	0	1	55	0	0	14	0	0	0	144
12:15	0	79	30	0	0	0	0	0	0	52	0	0	19	0	1	0	181
12:30	1	59	23	0	0	0	0	0	0	50	0	0	26	0	1	0	160
12:45	0	53	26	0	0	0	0	0	1	48	0	0	29	0	0	0	157
Total	1	246	98	0	0	0	0	0	2	205	0	0	88	0	2	0	642
13:00	0	47	32	0	0	0	0	0	1	55	0	0	21	0	1	0	157
13:15	0	62	24	0	0	0	0	0	0	48	0	0	15	0	2	0	151
13:30	0	50	27	0	0	0	0	0	1	51	0	0	30	0	1	0	160
13:45	0	66	23	0	0	0	0	0	2	46	0	0	20	0	2	0	159
Total	0	225	106	0	0	0	0	0	4	200	0	0	86	0	6	0	627
14:00	0	72	25	0	0	0	0	0	3	50	0	0	24	0	0	0	174
14:15	0	69	36	1	0	0	0	0	1	46	0	0	20	0	0	0	173
14:30	0	86	35	0	0	0	0	0	1	61	0	0	29	0	0	0	212
14:45	0	60	30	0	0	0	0	0	2	60	0	0	35	0	0	0	187
Total	0	287	126	1	0	0	0	0	7	217	0	0	108	0	0	0	746
15:00	0	80	33	0	0	0	0	0	1	57	0	0	22	0	2	0	195
15:15	0	100	52	0	0	0	0	0	1	50	0	0	32	0	1	0	236
15:30	0	88	50	0	0	0	0	0	3	77	0	0	42	0	0	0	260

MN Dept of Transportation

TRAFFIC DATA COLLECTION - Metro

TH-13 at CSAH-12
 Ref Pt.083+00.956
 Video by KM
 TURN MOVEMENT COUNT

File Name : TH-13 at CSAH-12
 Site Code :
 Start Date : 9/21/2016
 Page No : 2

Groups Printed- Cars +

Start Time	TH-13 Southbound				CSAH-12 Westbound				TH-13 Northbound				CSAH-12 Eastbound				Int. Total
	Left	Thru	Right	Peds	Left	Thru	Right	Peds	Left	Thru	Right	Peds	Left	Thru	Right	Peds	
15:45	0	96	38	0	0	0	0	0	2	77	0	0	33	0	4	0	250
Total	0	364	173	0	0	0	0	0	7	261	0	0	129	0	7	0	941
16:00	0	122	45	0	0	0	0	0	2	70	0	0	38	0	0	0	277
16:15	1	117	68	0	0	0	0	0	5	89	0	0	43	0	3	0	326
16:30	0	128	62	0	0	0	0	0	2	88	0	0	37	0	2	0	319
16:45	0	139	47	0	0	0	0	0	0	102	0	0	39	0	4	0	331
Total	1	506	222	0	0	0	0	0	9	349	0	0	157	0	9	0	1253
17:00	0	119	57	0	0	0	0	0	2	91	0	0	46	0	2	0	317
17:15	0	127	58	0	0	0	0	0	1	93	0	0	39	0	1	0	319
17:30	0	139	69	0	0	0	0	0	2	110	0	0	32	0	4	0	356
17:45	0	143	64	0	0	0	0	0	0	103	0	0	43	0	1	0	354
Total	0	528	248	0	0	0	0	0	5	397	0	0	160	0	8	0	1346
Grand Total	6	3240	1388	1	0	1	0	1	58	3597	0	0	1515	0	57	0	9864
Apprch %	0.1	69.9	29.9	0	0	50	0	50	1.6	98.4	0	0	96.4	0	3.6	0	
Total %	0.1	32.8	14.1	0	0	0	0	0	0.6	36.5	0	0	15.4	0	0.6	0	

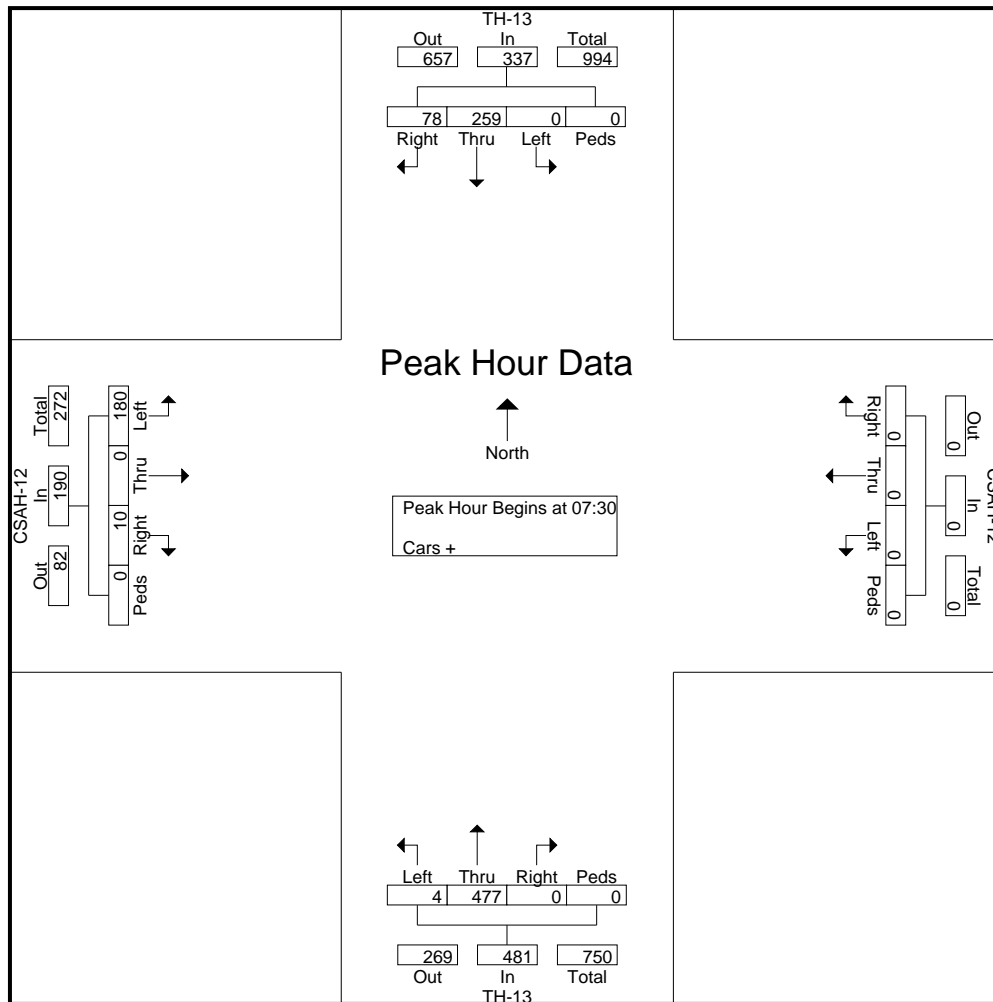
MN Dept of Transportation

TRAFFIC DATA COLLECTION - Metro

TH-13 at CSAH-12
 Ref Pt.083+00.956
 Video by KM
 TURN MOVEMENT COUNT

File Name : TH-13 at CSAH-12
 Site Code :
 Start Date : 9/21/2016
 Page No : 3

Start Time	TH-13 Southbound					CSAH-12 Westbound					TH-13 Northbound					CSAH-12 Eastbound					Int. Total
	Left	Thru	Right	Peds	App. Total	Left	Thru	Right	Peds	App. Total	Left	Thru	Right	Peds	App. Total	Left	Thru	Right	Peds	App. Total	
Peak Hour Analysis From 06:00 to 11:45 - Peak 1 of 1																					
Peak Hour for Entire Intersection Begins at 07:30																					
07:30	0	72	23	0	95	0	0	0	0	0	0	133	0	0	136	61	0	1	0	62	274
07:45	0	61	15	0	76	0	0	0	0	0	3	133	0	0	136	35	0	5	0	62	274
08:00	0	56	19	0	75	0	0	0	0	0	0	106	0	0	106	0	0	0	0	0	0
08:15	0	70	21	0	91	0	0	0	0	0	1	105	0	0	106	41	0	2	0	43	240
Total Volume	0	259	78	0	337	0	0	0	0	0	4	477	0	0	481	180	0	10	0	190	1008
% App. Total	0	76.9	23.1	0		0	0	0	0	0	0.8	99.2	0	0		94.7	0	5.3	0		
PHF	.000	.899	.848	.000	.887	.000	.000	.000	.000	.000	.333	.897	.000	.000	.884	.738	.000	.500	.000	.766	.920



MN Dept of Transportation

TRAFFIC DATA COLLECTION - Metro

TH-13 at CSAH-12
 Ref Pt.083+00.956
 Video by KM
 TURN MOVEMENT COUNT

File Name : TH-13 at CSAH-12
 Site Code :
 Start Date : 9/21/2016
 Page No : 4

Start Time	TH-13 Southbound					CSAH-12 Westbound					TH-13 Northbound					CSAH-12 Eastbound					Int. Total
	Left	Thru	Right	Peds	App. Total	Left	Thru	Right	Peds	App. Total	Left	Thru	Right	Peds	App. Total	Left	Thru	Right	Peds	App. Total	
Peak Hour Analysis From 12:00 to 17:45 - Peak 1 of 1																					
Peak Hour for Entire Intersection Begins at 17:00																					
17:00	0	119	57	0	176	0	0	0	0	0	2				46					48	317
17:15	0	127	58	0	185	0	0	0	0	0	1	93	0	0	94	39	0	1	0	40	319
17:30	0	139	69	0	208	0	0	0	0	0	2	110	0	0	112	32	0	4	0	36	356
17:45	0	143	64	0	207	0	0	0	0	0	0	103	0	0	103	43	0	1	0	44	354
Total Volume	0	528	248	0	776	0	0	0	0	0	5	397	0	0	402	160	0	8	0	168	1346
% App. Total	0	68	32	0		0	0	0	0		1.2	98.8	0	0		95.2	0	4.8	0		
PHF	.000	.923	.899	.000	.933	.000	.000	.000	.000	.000	.625	.902	.000	.000	.897	.870	.000	.500	.000	.875	.945

