

# TRAFFIC DATA INC.

3268 Xenwood Ave S  
St Louis Park, MN 55416

TH-13 at CSAH-44 / 160th St SE  
Ref.Pt.: 085.564  
PRIOR LAKE  
TURN MOVEMENT COUNT

File Name : TH-13 at CSAH-44 160th ST 2009  
Site Code : 00182916  
Start Date : 4/30/2009  
Page No : 1

### Groups Printed- Unshifted

Start Time	TH-13 Southbound				CSAH-44 / 160th St SE Westbound				TH-13 Northbound				CSAH-44 / 160th St SE Eastbound				Int. Total
	Left	Thru	Right	Peds	Left	Thru	Right	Peds	Left	Thru	Right	Peds	Left	Thru	Right	Peds	
06:00	1	10	4	0	3	0	1	0	0	75	17	0	5	4	3	0	123
06:15	0	15	0	0	5	0	0	0	0	84	12	0	9	11	2	0	138
06:30	0	19	6	0	9	6	5	0	3	103	47	0	15	24	2	0	239
06:45	0	30	6	0	19	15	5	0	2	131	87	0	50	57	0	0	402
Total	1	74	16	0	36	21	11	0	5	393	163	0	79	96	7	0	902
07:00	2	32	8	0	35	28	4	0	0	99	38	0	34	42	0	0	322
07:15	1	38	8	0	22	20	8	0	1	96	56	0	17	33	1	0	301
07:30	3	37	13	0	45	28	7	0	1	96	50	0	20	37	7	0	344
07:45	5	33	13	0	24	14	6	0	3	101	45	0	24	30	3	0	301
Total	11	140	42	0	126	90	25	0	5	392	189	0	95	142	11	0	1268
08:00	5	35	17	0	16	12	3	0	2	77	27	0	22	25	3	0	244
08:15	7	34	12	0	22	13	8	0	1	98	37	0	24	24	2	0	282
08:30	3	42	11	0	36	20	4	0	5	65	26	0	20	22	3	0	257
08:45	6	61	15	0	16	15	4	0	1	90	28	0	23	17	3	0	279
Total	21	172	55	0	90	60	19	0	9	330	118	0	89	88	11	0	1062
*** BREAK ***																	
11:00	6	66	15	0	24	16	5	0	3	70	28	0	22	8	4	0	267
11:15	7	69	18	0	17	8	5	0	0	86	29	0	24	10	6	0	279
11:30	2	73	14	0	24	10	6	0	3	79	25	0	22	18	1	0	277
11:45	8	68	20	0	30	17	5	0	0	62	25	0	18	13	4	1	271
Total	23	276	67	0	95	51	21	0	6	297	107	0	86	49	15	1	1094
12:00	3	92	17	0	25	14	17	0	3	73	19	0	25	17	1	0	306
12:15	3	72	16	0	34	18	7	1	4	78	31	0	15	11	4	0	294
12:30	4	80	17	0	24	14	6	0	4	72	29	0	14	14	1	0	279
12:45	2	69	14	0	38	16	4	0	4	70	28	0	18	22	2	0	287
Total	12	313	64	0	121	62	34	1	15	293	107	0	72	64	8	0	1166
*** BREAK ***																	
15:00	7	116	14	0	58	28	4	0	2	81	30	0	21	18	2	1	382
15:15	7	107	21	0	50	29	4	1	4	83	31	0	24	18	2	0	381
15:30	9	139	21	2	67	36	11	0	4	92	34	0	33	21	2	0	471
15:45	7	110	32	1	54	39	7	0	3	104	46	0	43	43	2	0	491
Total	30	472	88	3	229	132	26	1	13	360	141	0	121	100	8	1	1725
16:00	9	129	29	0	52	41	7	0	4	88	35	0	32	35	3	0	464
16:15	6	98	25	1	46	41	7	0	6	99	26	0	38	32	2	3	430
16:30	10	106	24	4	60	31	6	0	4	88	41	0	23	31	4	1	433
16:45	2	162	33	0	50	35	8	3	3	108	38	0	22	34	1	0	499
Total	27	495	111	5	208	148	28	3	17	383	140	0	115	132	10	4	1826
17:00	9	126	36	2	53	44	4	0	3	77	24	1	34	28	3	0	444
17:15	7	130	33	0	44	29	10	0	9	87	32	0	30	23	2	0	436
17:30	9	122	34	0	52	34	8	0	3	91	28	1	24	28	4	0	438
17:45	7	150	39	0	67	52	6	1	6	86	37	0	16	33	6	0	506
Total	32	528	142	2	216	159	28	1	21	341	121	2	104	112	15	0	1824
Grand Total	157	2470	585	10	1121	723	192	6	91	2789	1086	2	761	783	85	6	10867
Apprch %	4.9	76.7	18.2	0.3	54.9	35.4	9.4	0.3	2.3	70.3	27.4	0.1	46.5	47.9	5.2	0.4	
Total %	1.4	22.7	5.4	0.1	10.3	6.7	1.8	0.1	0.8	25.7	10	0	7	7.2	0.8	0.1	

# TRAFFIC DATA INC.

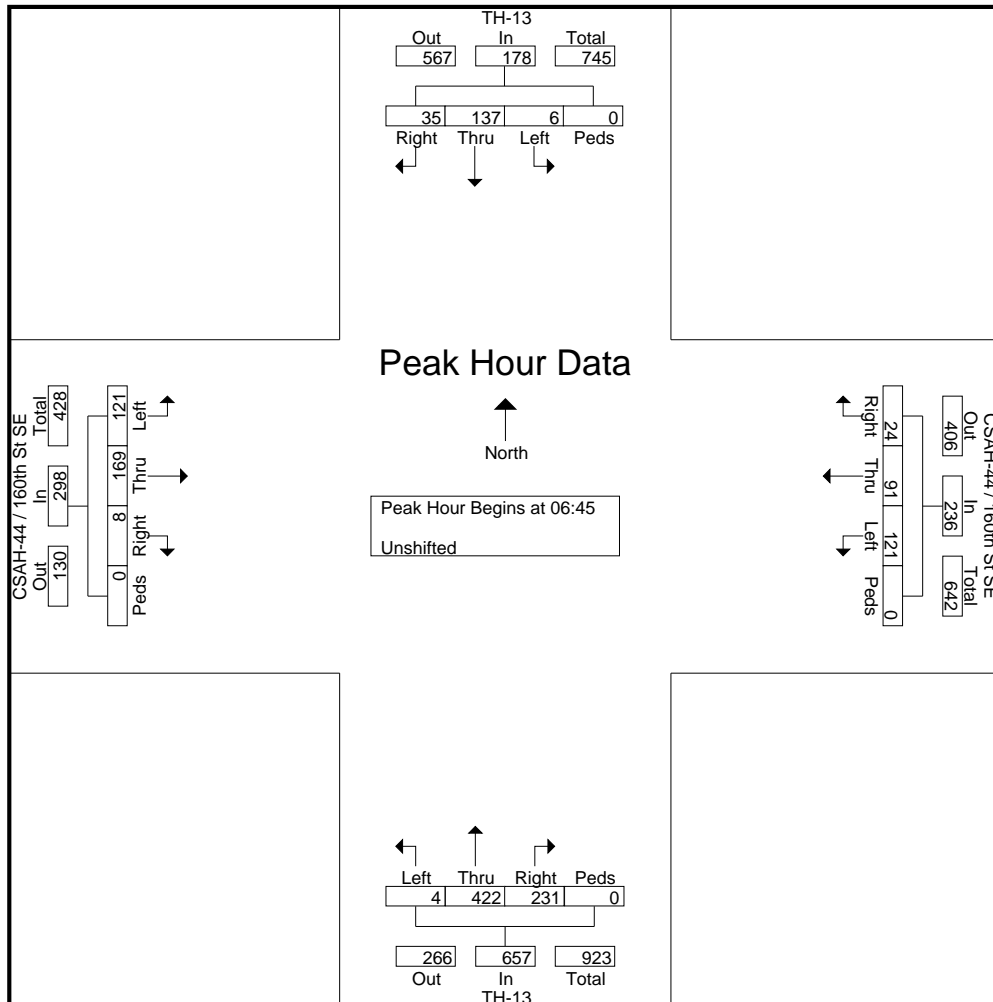
3268 Xenwood Ave S  
St Louis Park, MN 55416

TH-13 at CSAH-44 / 160th St SE  
Ref.Pt.: 085.564  
PRIOR LAKE  
TURN MOVEMENT COUNT

File Name : TH-13 at CSAH-44 160th ST 2009  
Site Code : 00182916  
Start Date : 4/30/2009  
Page No : 2

Start Time	TH-13 Southbound					CSAH-44 / 160th St SE Westbound					TH-13 Northbound					CSAH-44 / 160th St SE Eastbound					Int. Total
	Left	Thru	Right	Peds	App. Total	Left	Thru	Right	Peds	App. Total	Left	Thru	Right	Peds	App. Total	Left	Thru	Right	Peds	App. Total	
06:45	0	30	6	0	36	19	15	5	0	39	2	131	87	0	220	50	57	0	0	107	402
07:00	2	32	8	0	42	35	28	4	0	67	0	99	38	0	137	34	42	0	0	76	322
07:15	1	38	8	0	47	22	20	8	0	50	1	96	56	0	153	17	33	1	0	51	301
07:30	3	37	13	0	53	45	28	7	0	80	1	96	50	0	147	20	37	7	0	64	344
Total Volume	6	137	35	0	178	121	91	24	0	236	4	422	231	0	657	121	169	8	0	298	1369
% App. Total	3.4	77	19.7	0		51.3	38.6	10.2	0		0.6	64.2	35.2	0		40.6	56.7	2.7	0		
PHF	.500	.901	.673	.000	.840	.672	.813	.750	.000	.738	.500	.805	.664	.000	.747	.605	.741	.286	.000	.696	.851

Peak Hour Analysis From 06:00 to 08:45 - Peak 1 of 1  
Peak Hour for Entire Intersection Begins at 06:45



# TRAFFIC DATA INC.

3268 Xenwood Ave S  
St Louis Park, MN 55416

TH-13 at CSAH-44 / 160th St SE  
Ref.Pt.: 085.564  
PRIOR LAKE  
TURN MOVEMENT COUNT

File Name : TH-13 at CSAH-44 160th ST 2009  
Site Code : 00182916  
Start Date : 4/30/2009  
Page No : 3

Start Time	TH-13 Southbound					CSAH-44 / 160th St SE Westbound					TH-13 Northbound					CSAH-44 / 160th St SE Eastbound					Int. Total
	Left	Thru	Right	Peds	App. Total	Left	Thru	Right	Peds	App. Total	Left	Thru	Right	Peds	App. Total	Left	Thru	Right	Peds	App. Total	
15:30	9	139	21	2	171	67	36	11	0	114	4	92	34	0	130	33	21	2	0	56	471
15:45	7	110	32	1	150	54	39	7	0	100	3	104	46	0	153	43	43	2	0	88	491
16:00	9	129	29	0	167	52	41	7	0	100	4	88	35	0	127	32	35	3	0	70	464
16:15	6	98	25	1	130	46	41	7	0	94	6	99	26	0	131	38	32	2	3	75	430
Total Volume	31	476	107	4	618	219	157	32	0	408	17	383	141	0	541	146	131	9	3	289	1856
% App. Total	5	77	17.3	0.6		53.7	38.5	7.8	0		3.1	70.8	26.1	0		50.5	45.3	3.1	1		
PHF	.861	.856	.836	.500	.904	.817	.957	.727	.000	.895	.708	.921	.766	.000	.884	.849	.762	.750	.250	.821	.945

Peak Hour Analysis From 15:00 to 17:45 - Peak 1 of 1

Peak Hour for Entire Intersection Begins at 15:30

