

# TRAFFIC DATA INC.

3268 Xenwood Ave S  
St Louis Park, MN 55416

CSAH-42 at Quebec Ave S.  
SAVAGE  
Data by: Traffic Data Inc  
TURN MOVEMENT COUNT

File Name : CSAH-42 at Quebec Ave 2009  
Site Code : 01829111  
Start Date : 5/5/2009  
Page No : 1

### Groups Printed- Unshifted

Start Time	Quebec Ave Southbound				CSAH-42 Westbound				Quebec Ave Northbound				CSAH-42 Eastbound				Int. Total
	Left	Thru	Right	Peds	Left	Thru	Right	Peds	Left	Thru	Right	Peds	Left	Thru	Right	Peds	
06:00	0	0	0	0	4	57	0	0	14	0	11	0	0	62	4	0	152
06:15	0	0	2	0	5	68	0	0	16	0	9	0	0	68	1	0	169
06:30	0	0	2	0	12	115	1	0	14	0	13	0	1	92	1	0	251
06:45	2	0	1	0	10	129	0	0	16	0	11	0	0	118	3	0	290
Total	2	0	5	0	31	369	1	0	60	0	44	0	1	340	9	0	862
07:00	1	0	1	0	9	155	0	0	21	1	17	0	1	126	2	0	334
07:15	0	1	5	0	17	166	0	0	28	0	19	0	2	149	4	0	391
07:30	1	0	5	0	21	149	0	0	40	0	17	0	5	167	3	0	408
07:45	2	0	0	0	14	144	0	0	26	0	16	0	3	167	5	0	377
Total	4	1	11	0	61	614	0	0	115	1	69	0	11	609	14	0	1510
08:00	1	2	3	0	17	115	1	0	29	0	15	0	1	111	5	0	300
08:15	2	2	0	0	32	122	1	0	10	0	23	0	1	128	6	0	327
08:30	0	0	1	0	22	131	1	0	33	0	20	0	6	134	5	0	353
08:45	1	0	1	0	15	110	1	0	23	0	20	0	1	124	9	0	305
Total	4	4	5	0	86	478	4	0	95	0	78	0	9	497	25	0	1285
*** BREAK ***																	
11:00	3	1	3	0	28	123	1	0	25	1	23	0	4	114	5	0	331
11:15	0	0	2	0	27	131	0	0	37	0	22	0	3	99	5	0	326
11:30	2	0	5	0	27	130	3	0	34	2	17	0	2	137	1	0	360
11:45	1	0	3	0	27	140	0	0	36	3	32	0	9	117	6	0	374
Total	6	1	13	0	109	524	4	0	132	6	94	0	18	467	17	0	1391
12:00	0	1	0	0	21	154	2	0	36	1	18	0	66	70	6	0	375
12:15	1	0	1	0	36	149	0	0	21	0	24	0	1	116	12	0	361
12:30	0	0	0	0	26	154	1	0	45	3	21	0	5	153	4	0	412
12:45	0	0	0	0	23	156	2	0	34	1	28	0	1	104	6	0	355
Total	1	1	1	0	106	613	5	0	136	5	91	0	73	443	28	0	1503
*** BREAK ***																	
15:00	1	1	1	0	28	161	2	0	20	0	29	0	2	168	14	2	429
15:15	2	0	3	0	48	176	1	0	42	2	13	0	6	145	30	2	470
15:30	2	0	1	0	29	172	3	0	28	0	24	0	3	203	6	0	471
15:45	3	1	2	0	41	199	4	0	24	2	24	0	3	198	9	0	510
Total	8	2	7	0	146	708	10	0	114	4	90	0	14	714	59	4	1880
16:00	1	0	3	0	44	201	4	0	36	0	30	0	11	176	7	0	513
16:15	4	1	3	0	50	209	1	0	34	1	31	0	10	216	11	0	571
16:30	2	0	2	0	43	224	3	0	37	4	26	0	5	220	9	0	575
16:45	1	0	1	0	39	218	2	0	47	0	32	0	4	246	10	0	600
Total	8	1	9	0	176	852	10	0	154	5	119	0	30	858	37	0	2259
17:00	2	1	0	0	53	225	3	0	52	2	35	0	9	232	15	0	629
17:15	1	0	1	0	33	250	5	0	41	2	43	0	9	263	10	0	658
17:30	5	5	5	0	44	203	3	0	33	4	43	0	9	208	10	0	572
17:45	4	1	3	0	40	201	2	0	48	3	35	0	2	223	17	0	579
Total	12	7	9	0	170	879	13	0	174	11	156	0	29	926	52	0	2438
Grand Total	45	17	60	0	885	5037	47	0	980	32	741	0	185	4854	241	4	13128
Apprch %	36.9	13.9	49.2	0	14.8	84.4	0.8	0	55.9	1.8	42.3	0	3.5	91.9	4.6	0.1	
Total %	0.3	0.1	0.5	0	6.7	38.4	0.4	0	7.5	0.2	5.6	0	1.4	37	1.8	0	

# TRAFFIC DATA INC.

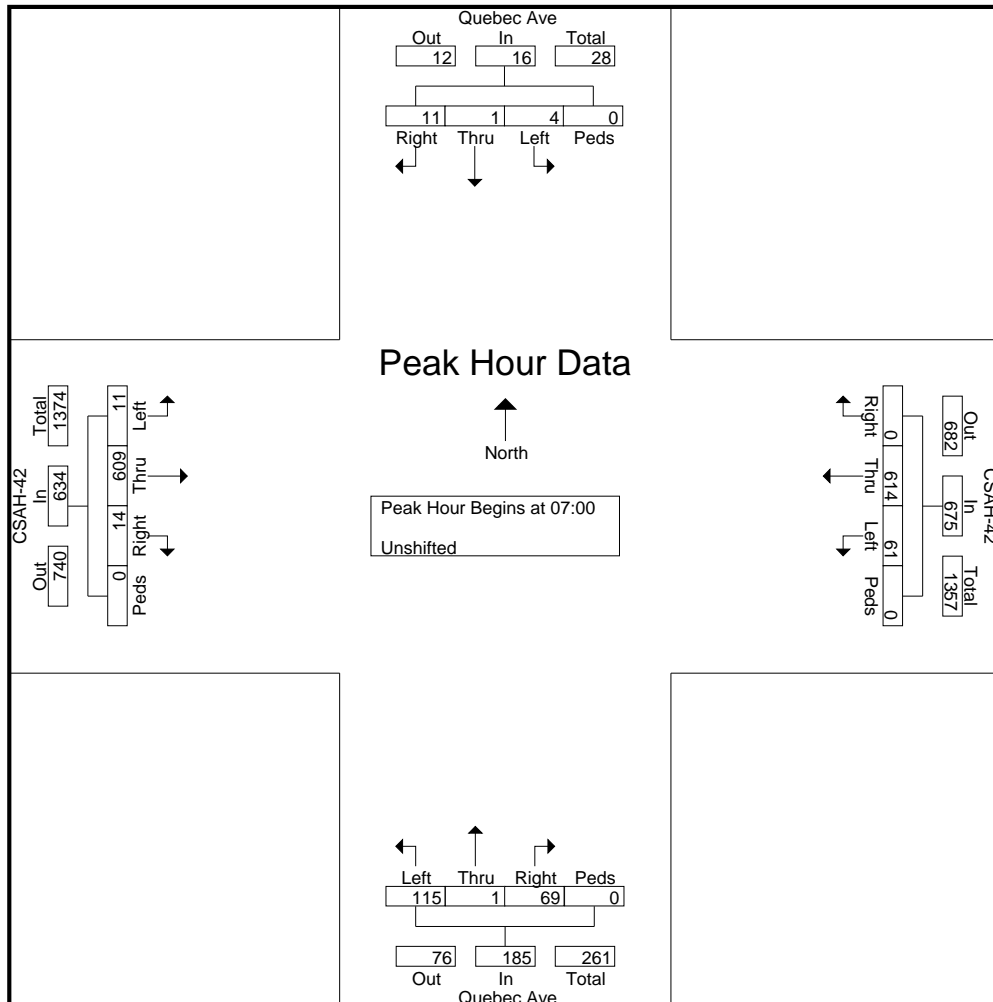
3268 Xenwood Ave S  
St Louis Park, MN 55416

CSAH-42 at Quebec Ave S.  
SAVAGE  
Data by: Traffic Data Inc  
TURN MOVEMENT COUNT

File Name : CSAH-42 at Quebec Ave 2009  
Site Code : 01829111  
Start Date : 5/5/2009  
Page No : 2

Start Time	Quebec Ave Southbound					CSAH-42 Westbound					Quebec Ave Northbound					CSAH-42 Eastbound					Int. Total
	Left	Thru	Right	Peds	App. Total	Left	Thru	Right	Peds	App. Total	Left	Thru	Right	Peds	App. Total	Left	Thru	Right	Peds	App. Total	
07:00	1	0	1	0	2	9	155	0	0	164	21	1	17	0	39	1	126	2	0	129	334
07:15	0	1	5	0	6	17	166	0	0	183	28	0	19	0	47	2	149	4	0	155	391
07:30	1	0	5	0	6	21	149	0	0	170	40	0	17	0	57	5	167	3	0	175	408
07:45	2	0	0	0	2	14	144	0	0	158	26	0	16	0	42	3	167	5	0	175	377
Total Volume	4	1	11	0	16	61	614	0	0	675	115	1	69	0	185	11	609	14	0	634	1510
% App. Total	25	6.2	68.8	0		9	91	0	0		62.2	0.5	37.3	0		1.7	96.1	2.2	0		
PHF	.500	.250	.550	.000	.667	.726	.925	.000	.000	.922	.719	.250	.908	.000	.811	.550	.912	.700	.000	.906	.925

Peak Hour Analysis From 06:00 to 08:45 - Peak 1 of 1  
Peak Hour for Entire Intersection Begins at 07:00



# TRAFFIC DATA INC.

3268 Xenwood Ave S  
St Louis Park, MN 55416

CSAH-42 at Quebec Ave S.  
SAVAGE  
Data by: Traffic Data Inc  
TURN MOVEMENT COUNT

File Name : CSAH-42 at Quebec Ave 2009  
Site Code : 01829111  
Start Date : 5/5/2009  
Page No : 3

Start Time	Quebec Ave Southbound					CSAH-42 Westbound					Quebec Ave Northbound					CSAH-42 Eastbound					Int. Total
	Left	Thru	Right	Peds	App. Total	Left	Thru	Right	Peds	App. Total	Left	Thru	Right	Peds	App. Total	Left	Thru	Right	Peds	App. Total	

Peak Hour Analysis From 15:00 to 17:45 - Peak 1 of 1  
Peak Hour for Entire Intersection Begins at 16:30

16:30	2	0	2	0	4	43	224	3	0	270	37	4	26	0	67	5	220	9	0	234	575
16:45	1	0	1	0	2	39	218	2	0	259	47	0	32	0	79	4	246	10	0	260	600
17:00	2	1	0	0	3	53	225	3	0	281	52	2	35	0	89	9	232	15	0	256	629
17:15	1	0	1	0	2	33	250	5	0	288	41	2	43	0	86	9	263	10	0	282	658
Total Volume	6	1	4	0	11	168	917	13	0	1098	177	8	136	0	321	27	961	44	0	1032	2462
% App. Total	54.5	9.1	36.4	0		15.3	83.5	1.2	0		55.1	2.5	42.4	0		2.6	93.1	4.3	0		
PHF	.750	.250	.500	.000	.688	.792	.917	.650	.000	.953	.851	.500	.791	.000	.902	.750	.913	.733	.000	.915	.935

