

SEH CONSULTING  
Traffic Data Collection  
TURN MOVEMENT COUNT

Nicollet Avenue at 134th St E /Woodcrest  
AM, MID, PM Peaks 7/10/2007  
data by SEH  
TURN MOVEMENT COUNT

File Name : Nicollet Ave at 134th St E 2007  
Site Code : 00000001  
Start Date : 7/10/2007  
Page No : 1

Groups Printed- Unshifted - Heavy Veh

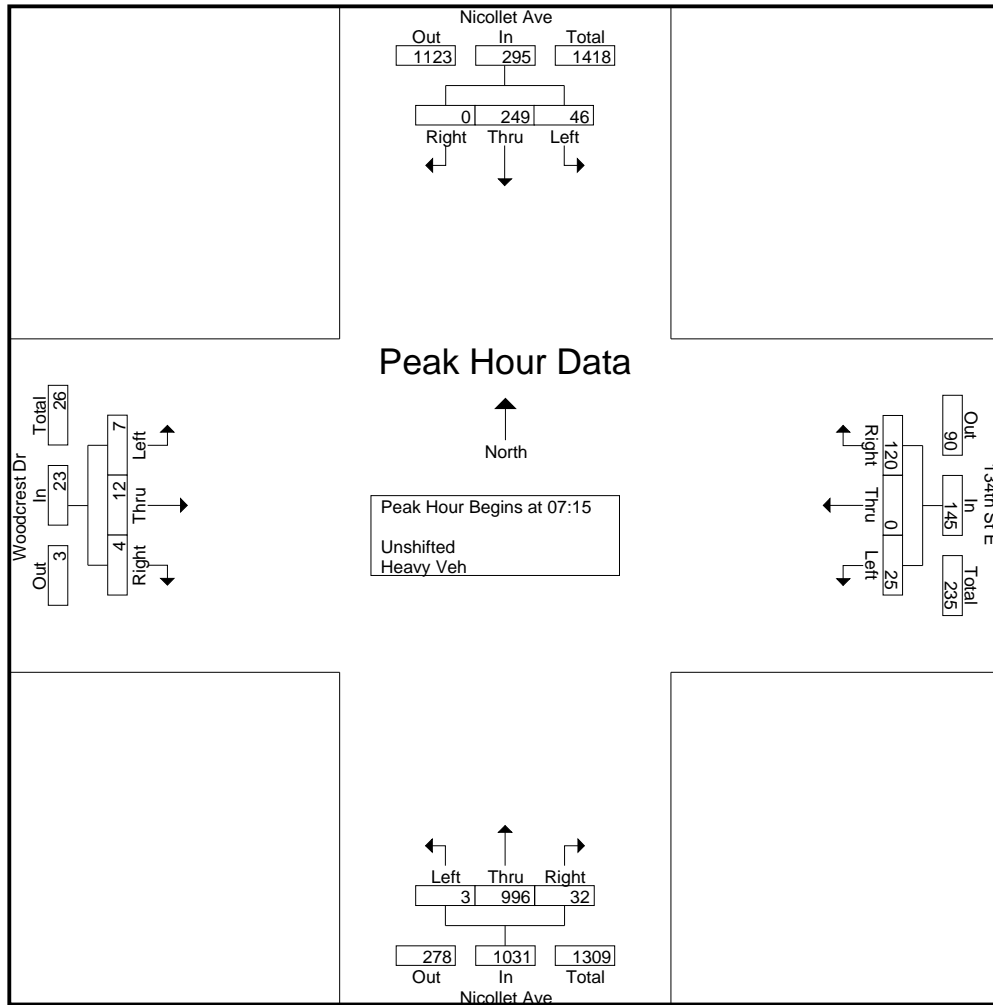
Start Time	Nicollet Ave Southbound				134th St E Westbound				Nicollet Ave Northbound				Woodcrest Dr Eastbound				Exclu. Total	Inclu. Total	Int. Total	
	Left	Thru	Right	Peds	Left	Thru	Right	Peds	Left	Thru	Right	Peds	Left	Thru	Right	Peds				
06:00	1	11	1	0	1	0	19	0	1	54	1	0	0	1	1	0	0	0	91	91
06:15	3	18	0	0	1	1	21	0	1	76	2	0	6	0	0	0	0	0	129	129
06:30	6	21	0	0	1	0	23	0	0	111	7	0	1	0	0	0	0	0	170	170
06:45	7	40	0	0	5	1	27	0	0	158	4	0	3	0	1	0	0	0	246	246
Total	17	90	1	0	8	2	90	0	2	399	14	0	10	1	2	0	0	0	636	636
07:00	13	39	0	0	2	0	25	0	0	189	5	0	3	0	3	0	0	0	279	279
07:15	11	43	0	0	4	0	41	0	0	228	5	0	2	6	1	0	0	0	341	341
07:30	10	65	0	0	4	0	27	0	0	297	8	0	0	3	0	0	0	0	414	414
07:45	7	80	0	0	13	0	29	0	2	263	12	0	1	2	2	0	0	0	411	411
Total	41	227	0	0	23	0	122	0	2	977	30	0	6	11	6	0	0	0	1445	1445
08:00	18	61	0	0	4	0	23	0	1	208	7	0	4	1	1	0	0	0	328	328
08:15	10	51	2	0	4	2	16	0	1	138	5	0	1	4	1	0	0	0	235	235
08:30	11	67	0	0	4	0	14	0	1	134	3	0	2	0	0	0	0	0	236	236
08:45	18	85	1	0	7	0	22	0	1	114	4	0	3	3	2	0	0	0	260	260
Total	57	264	3	0	19	2	75	0	4	594	19	0	10	8	4	0	0	0	1059	1059
*** BREAK ***																				
11:00	22	161	2	0	18	0	18	0	0	172	0	0	0	0	0	0	0	0	393	393
11:15	10	119	0	0	7	2	13	0	2	114	5	0	0	1	0	0	0	0	273	273
11:30	9	148	0	0	5	0	15	0	0	109	5	0	1	0	0	0	0	0	292	292
11:45	14	153	2	0	10	0	13	0	0	136	13	0	0	1	2	0	0	0	344	344
Total	55	581	4	0	40	2	59	0	2	531	23	0	1	2	2	0	0	0	1302	1302
12:00	15	151	2	0	12	1	13	0	2	150	9	0	5	0	2	0	0	0	362	362
12:15	11	150	2	0	17	1	12	0	3	152	2	0	4	0	2	0	0	0	356	356
12:30	13	151	3	0	8	1	12	0	0	144	7	0	1	1	2	0	0	0	343	343
12:45	18	125	1	0	11	0	11	0	3	131	20	0	1	1	1	0	0	0	323	323
Total	57	577	8	0	48	3	48	0	8	577	38	0	11	2	7	0	0	0	1384	1384
*** BREAK ***																				
15:00	23	150	1	0	3	0	17	0	4	139	9	0	0	1	0	0	0	0	347	347
15:15	14	137	1	0	7	0	17	0	0	121	5	0	1	0	4	0	0	0	307	307
15:30	19	168	1	0	9	0	18	0	0	133	7	0	2	0	1	1	1	1	358	359
15:45	25	161	0	0	18	0	19	0	2	113	7	0	0	0	2	0	0	0	347	347
Total	81	616	3	0	37	0	71	0	6	506	28	0	3	1	7	1	1	1	1359	1360
16:00	22	149	0	0	18	0	15	0	1	143	6	0	3	0	4	0	0	0	361	361
16:15	31	164	0	0	7	1	10	0	0	129	10	0	1	0	2	0	0	0	355	355
16:30	33	222	5	0	16	6	12	0	0	125	4	0	0	3	2	0	0	0	428	428
16:45	22	202	1	0	17	3	27	0	1	137	11	0	0	0	7	0	0	0	428	428
Total	108	737	6	0	58	10	64	0	2	534	31	0	4	3	15	0	0	0	1572	1572
17:00	24	201	2	0	8	1	18	0	0	117	9	0	0	0	0	0	0	0	380	380
17:15	36	197	1	0	21	2	16	0	1	130	6	0	0	0	0	0	0	0	410	410
17:30	36	188	3	0	13	2	28	0	1	115	17	0	4	0	0	0	0	0	407	407
17:45	50	183	2	0	17	3	24	0	2	115	11	0	0	0	0	0	0	0	407	407
Total	146	769	8	0	59	8	86	0	4	477	43	0	4	0	0	0	0	0	1604	1604
Grand Total	562	3861	33	0	292	27	615	0	30	4595	226	0	49	28	43	1	1	1	10361	10362
Apprch %	12.6	86.6	0.7		31.3	2.9	65.8		0.6	94.7	4.7		40.8	23.3	35.8					
Total %	5.4	37.3	0.3		2.8	0.3	5.9		0.3	44.3	2.2		0.5	0.3	0.4				100	
Unshifted	559	3855	33		292	27	612		30	4590	226		49	28	43				0	10345
% Unshifted	99.5	99.8	100		100	100	99.5		100	99.9	100		100	100	100				0	99.8
Heavy Veh	3	6	0		0	0	3		0	5	0		0	0	0				0	17
% Heavy Veh	0.5	0.2	0		0	0	0.5		0	0.1	0		0	0	0				0	0.2

SEH CONSULTING  
Traffic Data Collection  
TURN MOVEMENT COUNT

Nicollet Avenue at 134th St E /Woodcrest  
AM, MID, PM Peaks 7/10/2007  
data by SEH  
TURN MOVEMENT COUNT

File Name : Nicollet Ave at 134th St E 2007  
Site Code : 00000001  
Start Date : 7/10/2007  
Page No : 2

Start Time	Nicollet Ave Southbound				134th St E Westbound				Nicollet Ave Northbound				Woodcrest Dr Eastbound				Int. Total
	Left	Thru	Right	App. Total	Left	Thru	Right	App. Total	Left	Thru	Right	App. Total	Left	Thru	Right	App. Total	
Peak Hour Analysis From 06:00 to 08:45 - Peak 1 of 1																	
Peak Hour for Entire Intersection Begins at 07:15																	
07:15	11	43	0	54	4	0	41	45	0	228	5	233	2	6	1	9	341
07:30	10	65	0	75	4	0	27	31	0	297	8	305	0	3	0	3	414
07:45	7	80	0	87	13	0	29	42	2	263	12	277	1	2	2	5	411
08:00	18	61	0	79	4	0	23	27	1	208	7	216	4	1	1	6	328
Total Volume	46	249	0	295	25	0	120	145	3	996	32	1031	7	12	4	23	1494
% App. Total	15.6	84.4	0		17.2	0	82.8		0.3	96.6	3.1		30.4	52.2	17.4		
PHF	.639	.778	.000	.848	.481	.000	.732	.806	.375	.838	.667	.845	.438	.500	.500	.639	.902



SEH CONSULTING  
Traffic Data Collection  
TURN MOVEMENT COUNT

Nicollet Avenue at 134th St E /Woodcrest  
AM, MID, PM Peaks 7/10/2007  
data by SEH  
TURN MOVEMENT COUNT

File Name : Nicollet Ave at 134th St E 2007  
Site Code : 00000001  
Start Date : 7/10/2007  
Page No : 3

Start Time	Nicollet Ave Southbound				134th St E Westbound				Nicollet Ave Northbound				Woodcrest Dr Eastbound				Int. Total
	Left	Thru	Right	App. Total	Left	Thru	Right	App. Total	Left	Thru	Right	App. Total	Left	Thru	Right	App. Total	
Peak Hour Analysis From 15:00 to 17:45 - Peak 1 of 1																	
Peak Hour for Entire Intersection Begins at 16:30																	
16:30	33	222	5	260	16	6	12	34	0	125	4	129	0	3	2	5	428
16:45	22	202	1	225	17	3	27	47	1	137	11	149	0	0	7	7	428
17:00	24	201	2	227	8	1	18	27	0	117	9	126	0	0	0	0	380
17:15	36	197	1	234	21	2	16	39	1	130	6	137	0	0	0	0	410
Total Volume	115	822	9	946	62	12	73	147	2	509	30	541	0	3	9	12	1646
% App. Total	12.2	86.9	1		42.2	8.2	49.7		0.4	94.1	5.5		0	25	75		
PHF	.799	.926	.450	.910	.738	.500	.676	.782	.500	.929	.682	.908	.000	.250	.321	.429	.961

