

SEH CONSULTING
Traffic Data Collection
TURN MOVEMENT COUNT

Nicollet Avenue at Travelers Trail
6/26/07 (MID), 6/27/07 (AM), 7/11/07 (PM)
data by SEH
TURN MOVEMENT COUNT

File Name : Nicollet Ave at Travelers Trail 2007
Site Code : 00000007
Start Date : 7/11/2007
Page No : 1

Groups Printed- Vehicles - 3+ Axles - MVTA Busses

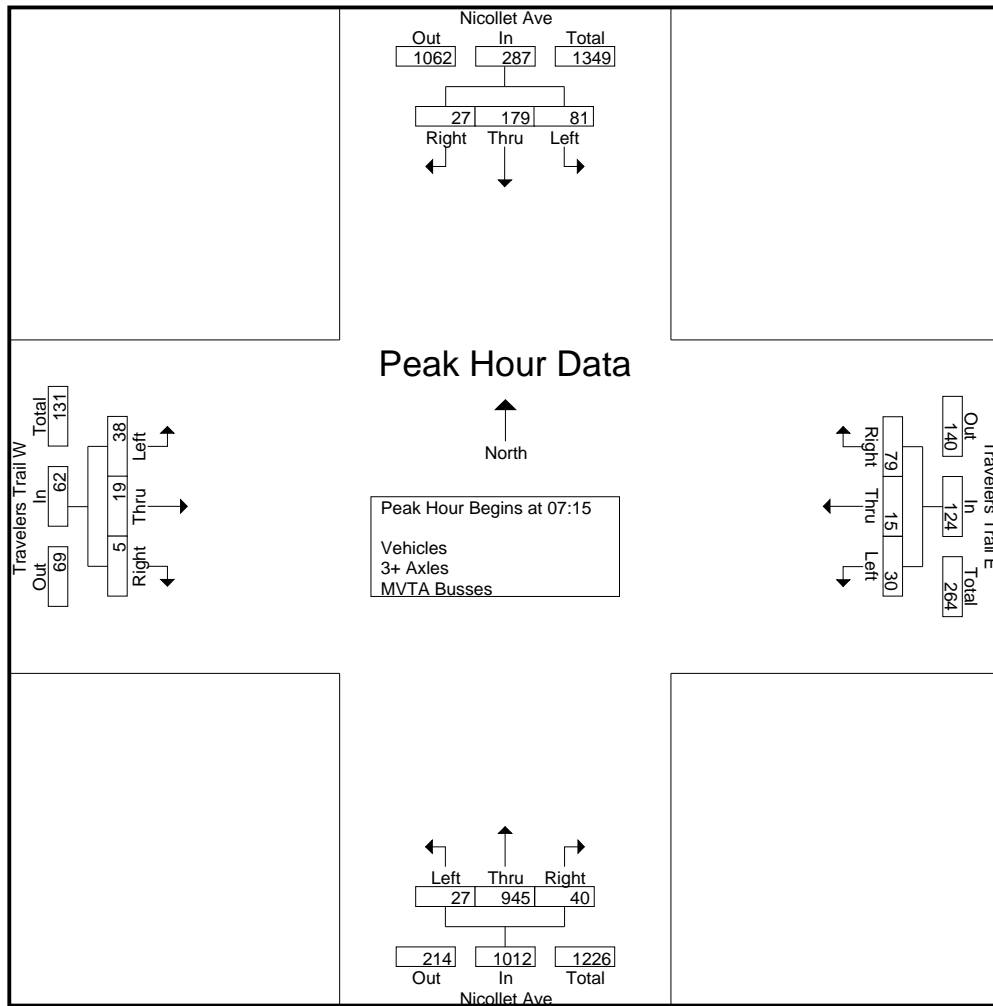
Start Time	Nicollet Ave Southbound				Travelers Trail E Westbound				Nicollet Ave Northbound				Travelers Trail W Eastbound				Exclu. Total	Inclu. Total	Int. Total
	Left	Thru	Right	Peds	Left	Thru	Right	Peds	Left	Thru	Right	Peds	Left	Thru	Right	Peds			
06:00	12	17	0	0	2	0	22	0	2	96	3	0	11	0	0	0	0	165	165
06:15	4	19	3	0	5	2	17	0	5	122	6	0	7	1	0	0	0	191	191
06:30	12	22	4	0	4	1	18	0	6	186	6	0	5	0	1	0	0	265	265
06:45	10	31	3	0	4	4	23	0	1	213	10	0	13	1	1	0	0	314	314
Total	38	89	10	0	15	7	80	0	14	617	25	0	36	2	2	0	0	935	935
07:00	11	35	6	0	5	2	16	0	5	249	7	0	10	1	0	0	0	347	347
07:15	22	27	3	0	6	3	21	0	6	291	8	0	9	0	3	0	0	399	399
07:30	17	49	4	0	4	3	17	0	5	239	8	0	8	10	1	0	0	365	365
07:45	17	59	7	0	12	1	16	0	5	219	11	0	13	5	1	0	0	366	366
Total	67	170	20	0	27	9	70	0	21	998	34	0	40	16	5	0	0	1477	1477
08:00	25	44	13	0	8	8	25	0	11	196	13	0	8	4	0	0	0	355	355
08:15	14	57	4	0	11	5	24	0	4	147	12	0	10	0	2	0	0	290	290
08:30	31	47	7	0	16	4	32	0	5	125	19	0	8	3	3	0	0	300	300
08:45	26	62	6	0	18	8	23	0	4	114	12	0	8	6	2	0	0	289	289
Total	96	210	30	0	53	25	104	0	24	582	56	0	34	13	7	0	0	1234	1234
*** BREAK ***																			
11:00	19	74	7	0	28	6	19	0	4	64	21	0	12	5	2	0	0	261	261
11:15	37	74	11	0	26	6	28	0	2	73	28	0	15	6	7	0	0	313	313
11:30	34	100	10	0	31	7	19	0	4	74	23	0	11	5	4	0	0	322	322
11:45	40	97	3	0	27	9	29	0	11	99	31	0	14	11	4	0	0	375	375
Total	130	345	31	0	112	28	95	0	21	310	103	0	52	27	17	0	0	1271	1271
12:00	41	107	5	0	40	7	28	0	13	82	36	0	16	10	1	0	0	386	386
12:15	41	76	7	0	31	14	31	0	3	83	31	0	12	8	3	0	0	340	340
12:30	41	99	10	0	24	13	37	0	7	112	39	0	18	4	2	0	0	406	406
12:45	43	94	10	0	30	6	36	0	4	114	25	0	12	5	0	0	0	379	379
Total	166	376	32	0	125	40	132	0	27	391	131	0	58	27	6	0	0	1511	1511
*** BREAK ***																			
15:00	44	119	3	0	26	1	30	0	8	70	35	0	8	5	3	0	0	352	352
15:15	43	90	3	0	32	2	30	0	6	94	33	0	7	6	2	0	0	348	348
15:30	54	109	1	0	31	8	28	0	7	78	28	0	8	6	6	0	0	364	364
15:45	44	82	10	0	34	2	20	0	10	60	27	0	12	9	1	0	0	311	311
Total	185	400	17	0	123	13	108	0	31	302	123	0	35	26	12	0	0	1375	1375
16:00	56	128	14	0	39	8	26	0	7	86	31	0	11	8	3	0	0	417	417
16:15	47	149	5	0	37	9	25	0	8	87	30	0	19	4	3	0	0	423	423
16:30	54	164	10	0	31	7	22	0	6	91	34	0	10	5	6	0	0	440	440
16:45	56	153	5	0	43	11	32	0	9	94	26	0	8	7	3	0	0	447	447
Total	213	594	34	0	150	35	105	0	30	358	121	0	48	24	15	0	0	1727	1727
17:00	40	156	6	0	59	16	38	0	10	81	39	0	11	8	5	0	0	469	469
17:15	54	175	4	0	51	12	39	0	12	87	28	0	14	11	5	0	0	492	492
17:30	44	178	11	0	37	8	25	0	11	88	28	0	14	8	3	0	0	455	455
17:45	49	170	7	0	33	10	27	0	6	90	32	0	6	2	8	0	0	440	440
Total	187	679	28	0	180	46	129	0	39	346	127	0	45	29	21	0	0	1856	1856
Grand Total	1082	2863	202	0	785	203	823	0	207	3904	720	0	348	164	85	0	0	11386	11386
Apprch %	26.1	69	4.9		43.3	11.2	45.4		4.3	80.8	14.9		58.3	27.5	14.2				
Total %	9.5	25.1	1.8		6.9	1.8	7.2		1.8	34.3	6.3		3.1	1.4	0.7		0	100	
Vehicles	1077	2838	200		785	203	820		206	3880	719		346	164	84		0	0	11322
% Vehicles	99.5	99.1	99	0	100	100	99.6	0	99.5	99.4	99.9	0	99.4	100	98.8	0	0	0	99.4
3+ Axles	5	8	2		0	0	3		1	17	1		1	0	1		0	0	39
% 3+ Axles	0.5	0.3	1	0	0	0	0.4	0	0.5	0.4	0.1	0	0.3	0	1.2	0	0	0	0.3
MVTA Busses	0	17	0		0	0	0		0	7	0		1	0	0		0	0	25
% MVTA Busses	0	0.6	0	0	0	0	0	0	0	0.2	0	0	0.3	0	0	0	0	0	0.2

SEH CONSULTING
Traffic Data Collection
TURN MOVEMENT COUNT

Nicollet Avenue at Travelers Trail
6/26/07 (MID), 6/27/07 (AM), 7/11/07 (PM)
data by SEH
TURN MOVEMENT COUNT

File Name : Nicollet Ave at Travelers Trail 2007
Site Code : 00000007
Start Date : 7/11/2007
Page No : 2

Start Time	Nicollet Ave Southbound				Travelers Trail E Westbound				Nicollet Ave Northbound				Travelers Trail W Eastbound				Int. Total
	Left	Thru	Right	App. Total	Left	Thru	Right	App. Total	Left	Thru	Right	App. Total	Left	Thru	Right	App. Total	
Peak Hour Analysis From 06:00 to 08:45 - Peak 1 of 1																	
Peak Hour for Entire Intersection Begins at 07:15																	
07:15	22	27	3	52	6	3	21	30	6	291	8	305	9	0	3	12	399
07:30	17	49	4	70	4	3	17	24	5	239	8	252	8	10	1	19	365
07:45	17	59	7	83	12	1	16	29	5	219	11	235	13	5	1	19	366
08:00	25	44	13	82	8	8	25	41	11	196	13	220	8	4	0	12	355
Total Volume	81	179	27	287	30	15	79	124	27	945	40	1012	38	19	5	62	1485
% App. Total	28.2	62.4	9.4		24.2	12.1	63.7		2.7	93.4	4		61.3	30.6	8.1		
PHF	.810	.758	.519	.864	.625	.469	.790	.756	.614	.812	.769	.830	.731	.475	.417	.816	.930



SEH CONSULTING
Traffic Data Collection
TURN MOVEMENT COUNT

Nicollet Avenue at Travelers Trail
6/26/07 (MID), 6/27/07 (AM), 7/11/07 (PM)
data by SEH
TURN MOVEMENT COUNT

File Name : Nicollet Ave at Travelers Trail 2007
Site Code : 00000007
Start Date : 7/11/2007
Page No : 3

Start Time	Nicollet Ave Southbound				Travelers Trail E Westbound				Nicollet Ave Northbound				Travelers Trail W Eastbound				Int. Total
	Left	Thru	Right	App. Total	Left	Thru	Right	App. Total	Left	Thru	Right	App. Total	Left	Thru	Right	App. Total	
Peak Hour Analysis From 15:00 to 17:45 - Peak 1 of 1																	
Peak Hour for Entire Intersection Begins at 16:45																	
16:45	56	153	5	214	43	11	32	86	9	94	26	129	8	7	3	18	447
17:00	40	156	6	202	59	16	38	113	10	81	39	130	11	8	5	24	469
17:15	54	175	4	233	51	12	39	102	12	87	28	127	14	11	5	30	492
17:30	44	178	11	233	37	8	25	70	11	88	28	127	14	8	3	25	455
Total Volume	194	662	26	882	190	47	134	371	42	350	121	513	47	34	16	97	1863
% App. Total	22	75.1	2.9		51.2	12.7	36.1		8.2	68.2	23.6		48.5	35.1	16.5		
PHF	.866	.930	.591	.946	.805	.734	.859	.821	.875	.931	.776	.987	.839	.773	.800	.808	.947

