

TRAFFIC DATA INC.

3268 Xenwood Ave S
St Louis Park, MN 55416

Silver Bell Rd at Cedarvale Blvd
EAGAN
data by : Traffic Data Inc.
TURN MOVEMENT COUNT

File Name : Silver Bell Rd at Cedarvale Blvd 2009
Site Code : 01829141
Start Date : 5/12/2009
Page No : 1

Groups Printed- Unshifted

Start Time	Cedarvale Blvd Southbound				Silver Bell Rd Westbound				Cedarvale Blvd Northbound				Silver Bell Rd Eastbound				Int. Total
	Left	Thru	Right	Peds	Left	Thru	Right	Peds	Left	Thru	Right	Peds	Left	Thru	Right	Peds	
06:00	2	0	54	1	0	8	3	0	3	4	0	0	22	9	3	0	109
06:15	3	1	67	1	0	25	8	0	2	2	0	0	18	7	1	0	135
06:30	2	3	93	0	0	38	7	0	1	1	0	0	18	4	0	0	167
06:45	3	4	104	1	0	52	9	1	13	1	0	0	36	2	3	0	229
Total	10	8	318	3	0	123	27	1	19	8	0	0	94	22	7	0	640
07:00	1	3	111	0	0	46	5	0	10	5	0	0	29	3	4	0	217
07:15	1	7	126	0	0	48	8	0	8	8	0	0	24	3	4	0	237
07:30	3	3	112	1	1	77	8	0	17	5	0	0	33	7	4	0	271
07:45	2	6	121	1	0	73	16	0	19	5	0	0	39	9	3	0	294
Total	7	19	470	2	1	244	37	0	54	23	0	0	125	22	15	0	1019
08:00	3	5	95	2	0	56	9	0	11	2	1	0	37	7	1	0	229
08:15	5	6	92	0	0	35	5	0	11	2	0	0	32	8	13	0	209
08:30	3	7	67	0	0	41	8	0	6	2	0	1	32	9	9	0	185
08:45	5	3	76	0	0	28	6	0	10	5	0	0	41	17	4	0	195
Total	16	21	330	2	0	160	28	0	38	11	1	1	142	41	27	0	818
*** BREAK ***																	
11:00	11	4	47	1	0	13	10	0	2	3	0	0	38	28	15	0	172
11:15	5	3	43	1	0	14	8	0	9	6	1	0	46	27	13	0	176
11:30	6	7	46	1	0	21	13	0	4	5	0	0	74	38	9	0	224
11:45	8	6	60	0	0	24	13	0	14	2	0	0	60	29	9	0	225
Total	30	20	196	3	0	72	44	0	29	16	1	0	218	122	46	0	797
12:00	12	8	52	1	0	17	11	0	8	4	1	0	105	31	41	0	291
12:15	12	4	83	1	0	22	19	2	14	16	0	0	77	29	25	0	304
12:30	15	9	50	1	0	39	22	0	15	9	1	0	47	29	27	0	264
12:45	8	10	81	0	2	27	13	0	16	5	2	0	65	22	29	0	280
Total	47	31	266	3	2	105	65	2	53	34	4	0	294	111	122	0	1139
*** BREAK ***																	
15:00	7	3	50	1	0	20	12	0	9	4	1	0	48	37	21	1	214
15:15	3	2	36	1	0	17	9	0	14	7	1	0	54	34	6	1	185
15:30	11	4	40	0	0	17	10	0	10	2	0	0	86	47	10	0	237
15:45	11	7	47	2	1	20	12	0	9	9	0	0	69	42	8	0	237
Total	32	16	173	4	1	74	43	0	42	22	2	0	257	160	45	2	873
16:00	10	4	36	0	1	13	7	0	5	6	0	0	86	45	14	0	227
16:15	11	6	48	1	0	20	8	0	8	2	0	0	98	61	17	2	282
16:30	19	8	44	1	0	25	8	0	6	4	1	0	99	52	16	0	283
16:45	16	8	40	0	0	22	9	0	5	3	0	0	94	55	17	0	269
Total	56	26	168	2	1	80	32	0	24	15	1	0	377	213	64	2	1061
17:00	20	4	52	0	0	19	9	0	6	4	2	1	109	64	12	0	302
17:15	17	11	49	1	1	9	8	0	4	14	2	0	110	78	17	0	321
17:30	11	9	59	0	0	15	6	0	7	4	0	0	80	62	10	0	263
17:45	19	5	40	1	1	22	14	0	9	4	0	1	83	55	17	0	271
Total	67	29	200	2	2	65	37	0	26	26	4	2	382	259	56	0	1157
Grand Total	265	170	2121	21	7	923	313	3	285	155	13	3	1889	950	382	4	7504
Apprch %	10.3	6.6	82.3	0.8	0.6	74.1	25.1	0.2	62.5	34	2.9	0.7	58.6	29.5	11.8	0.1	
Total %	3.5	2.3	28.3	0.3	0.1	12.3	4.2	0	3.8	2.1	0.2	0	25.2	12.7	5.1	0.1	

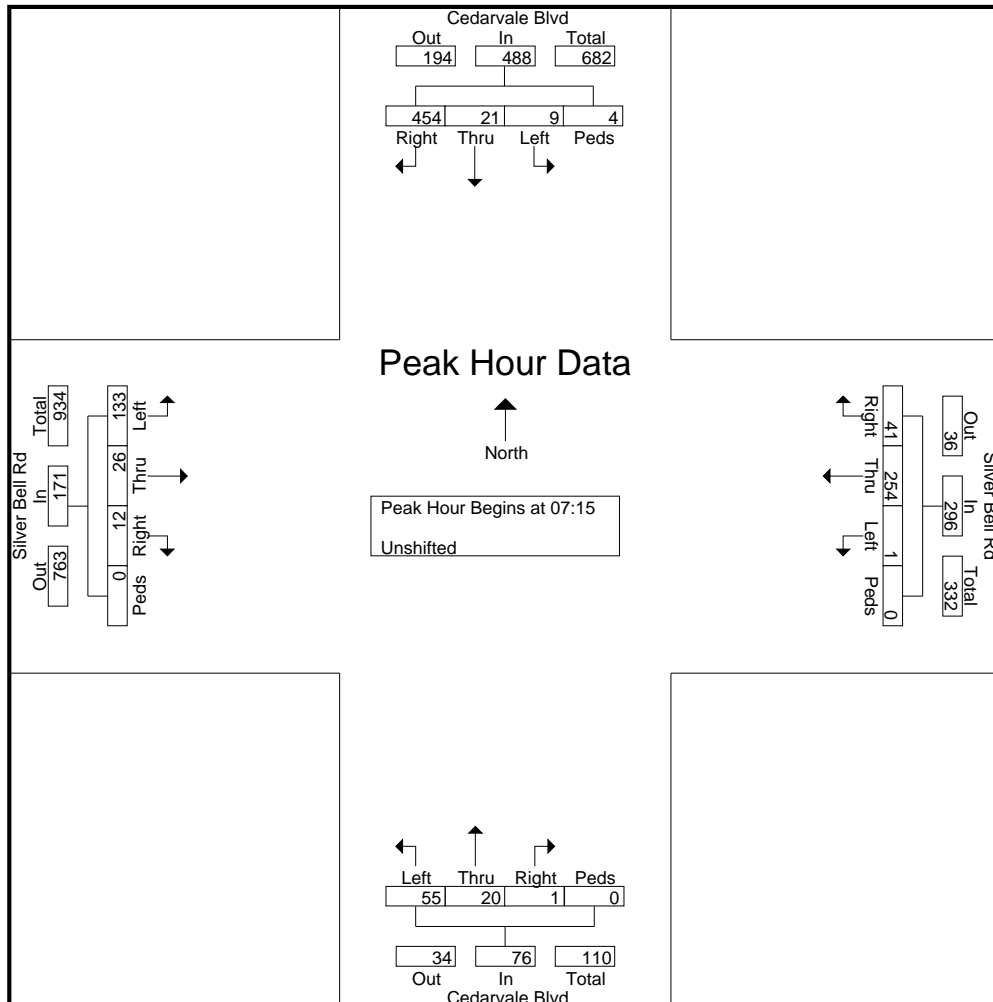
TRAFFIC DATA INC.

3268 Xenwood Ave S
St Louis Park, MN 55416

Silver Bell Rd at Cedarvale Blvd
EAGAN
data by : Traffic Data Inc.
TURN MOVEMENT COUNT

File Name : Silver Bell Rd at Cedarvale Blvd 2009
Site Code : 01829141
Start Date : 5/12/2009
Page No : 2

Start Time	Cedarvale Blvd Southbound					Silver Bell Rd Westbound					Cedarvale Blvd Northbound					Silver Bell Rd Eastbound					Int. Total
	Left	Thru	Right	Peds	App. Total	Left	Thru	Right	Peds	App. Total	Left	Thru	Right	Peds	App. Total	Left	Thru	Right	Peds	App. Total	
Peak Hour Analysis From 06:00 to 08:45 - Peak 1 of 1																					
Peak Hour for Entire Intersection Begins at 07:15																					
07:15	1	7	126	0	134	0	48	8	0	56	8	8	0	0	16	24	3	4	0	31	237
07:30	3	3	112	1	119	1	77	8	0	86	17	5	0	0	22	33	7	4	0	44	271
07:45	2	6	121	1	130	0	73	16	0	89	19	5	0	0	24	39	9	3	0	51	294
08:00	3	5	95	2	105	0	56	9	0	65	11	2	1	0	14	37	7	1	0	45	229
Total Volume	9	21	454	4	488	1	254	41	0	296	55	20	1	0	76	133	26	12	0	171	1031
% App. Total	1.8	4.3	93	0.8		0.3	85.8	13.9	0		72.4	26.3	1.3	0		77.8	15.2	7	0		
PHF	.750	.750	.901	.500	.910	.250	.825	.641	.000	.831	.724	.625	.250	.000	.792	.853	.722	.750	.000	.838	.877



TRAFFIC DATA INC.

3268 Xenwood Ave S
St Louis Park, MN 55416

Silver Bell Rd at Cedarvale Blvd
EAGAN
data by : Traffic Data Inc.
TURN MOVEMENT COUNT

File Name : Silver Bell Rd at Cedarvale Blvd 2009
Site Code : 01829141
Start Date : 5/12/2009
Page No : 3

Start Time	Cedarvale Blvd Southbound					Silver Bell Rd Westbound					Cedarvale Blvd Northbound					Silver Bell Rd Eastbound					Int. Total
	Left	Thru	Right	Peds	App. Total	Left	Thru	Right	Peds	App. Total	Left	Thru	Right	Peds	App. Total	Left	Thru	Right	Peds	App. Total	
Peak Hour Analysis From 15:00 to 17:45 - Peak 1 of 1																					
Peak Hour for Entire Intersection Begins at 16:30																					
16:30	19	8	44	1	72	0	25	8	0	33	6	4	1	0	11	99	52	16	0	167	283
16:45	16	8	40	0	64	0	22	9	0	31	5	3	0	0	8	94	55	17	0	166	269
17:00	20	4	52	0	76	0	19	9	0	28	6	4	2	1	13	109	64	12	0	185	302
17:15	17	11	49	1	78	1	9	8	0	18	4	14	2	0	20	110	78	17	0	205	321
Total Volume	72	31	185	2	290	1	75	34	0	110	21	25	5	1	52	412	249	62	0	723	1175
% App. Total	24.8	10.7	63.8	0.7		0.9	68.2	30.9	0		40.4	48.1	9.6	1.9		57	34.4	8.6	0		
PHF	.900	.705	.889	.500	.929	.250	.750	.944	.000	.833	.875	.446	.625	.250	.650	.936	.798	.912	.000	.882	.915

