

TRAFFIC DATA INC.

3268 Xenwood Ave S
St Louis Park, MN 55416

TH-13 at Blackhawk Rd.
Ref.Pt.: 103.348

File Name : TH-13 at Blackhawk Rd 2009
Site Code : 01829142
Start Date : 5/19/2009
Page No : 1

TURN MOVEMENT COUNT

Groups Printed- Unshifted

Start Time	TH-13 Southbound				Blackhawk Rd Westbound				TH-13 Northbound				Blackhawk Rd Eastbound				Int. Total
	Left	Thru	Right	Peds	Left	Thru	Right	Peds	Left	Thru	Right	Peds	Left	Thru	Right	Peds	
06:00	0	66	6	0	14	1	7	0	2	99	15	0	2	1	7	0	220
06:15	3	78	11	0	14	3	15	1	12	133	16	0	2	0	6	0	294
06:30	0	98	28	0	20	4	16	1	2	217	17	0	5	0	1	0	409
06:45	1	110	24	0	24	8	33	1	4	265	31	0	4	1	4	0	510
Total	4	352	69	0	72	16	71	3	20	714	79	0	13	2	18	0	1433
07:00	3	111	15	0	32	7	28	2	1	244	19	0	10	1	5	1	479
07:15	2	137	9	1	25	4	28	0	5	342	33	0	9	1	3	0	599
07:30	2	142	12	1	29	3	48	2	2	382	37	0	10	1	2	0	673
07:45	2	158	17	0	31	3	44	1	5	429	48	0	8	1	4	1	752
Total	9	548	53	2	117	17	148	5	13	1397	137	0	37	4	14	2	2503
08:00	2	135	12	0	23	3	23	0	9	353	48	0	6	0	0	0	614
08:15	3	108	5	0	24	0	20	0	9	299	45	0	16	1	5	12	547
08:30	4	117	8	2	17	0	22	0	9	232	32	1	17	4	7	0	472
08:45	4	130	9	1	18	1	23	0	7	194	33	0	7	1	6	0	434
Total	13	490	34	3	82	4	88	0	34	1078	158	1	46	6	18	12	2067
*** BREAK ***																	
11:00	12	139	6	0	18	0	6	0	2	110	5	0	13	1	5	0	317
11:15	6	141	5	0	16	2	4	0	2	131	16	0	13	3	5	0	344
11:30	8	165	5	0	28	2	9	2	4	122	14	0	7	3	4	1	374
11:45	4	160	7	0	11	1	4	0	7	166	11	0	15	0	4	0	390
Total	30	605	23	0	73	5	23	2	15	529	46	0	48	7	18	1	1425
12:00	11	155	9	1	17	2	7	0	1	144	12	0	29	5	9	1	403
12:15	7	161	7	0	12	1	13	0	4	140	20	2	12	3	4	0	386
12:30	8	160	7	1	25	2	12	0	8	152	15	0	8	2	4	0	404
12:45	4	166	14	0	15	0	6	0	2	157	25	0	12	1	5	0	407
Total	30	642	37	2	69	5	38	0	15	593	72	2	61	11	22	1	1600
*** BREAK ***																	
15:00	12	193	5	0	30	1	9	0	5	128	10	1	19	4	7	0	424
15:15	9	191	13	0	23	2	6	0	5	144	21	1	33	4	4	2	458
15:30	23	312	6	1	38	3	6	2	9	159	19	0	33	14	14	0	639
15:45	17	241	7	1	29	2	8	2	7	149	18	0	13	3	3	0	500
Total	61	937	31	2	120	8	29	4	26	580	68	2	98	25	28	2	2021
16:00	23	278	9	1	56	2	5	0	1	137	15	0	26	6	6	0	565
16:15	32	336	4	0	32	0	7	0	5	141	20	0	17	0	4	0	598
16:30	50	425	1	0	62	4	3	1	3	166	25	1	22	10	6	0	779
16:45	34	419	7	0	42	5	3	0	4	166	22	0	16	3	5	1	727
Total	139	1458	21	1	192	11	18	1	13	610	82	1	81	19	21	1	2669
17:00	37	437	7	0	40	2	5	0	12	191	22	1	26	8	3	0	791
17:15	35	413	4	0	26	1	4	0	3	155	15	1	10	6	3	1	677
17:30	24	361	3	0	34	2	6	0	9	165	19	0	12	0	3	1	639
17:45	18	296	3	0	23	4	6	1	7	144	30	1	9	1	3	1	547
Total	114	1507	17	0	123	9	21	1	31	655	86	3	57	15	12	3	2654
Grand Total	400	6539	285	10	848	75	436	16	167	6156	728	9	441	89	151	22	16372
Apprch %	5.5	90.4	3.9	0.1	61.7	5.5	31.7	1.2	2.4	87.2	10.3	0.1	62.7	12.7	21.5	3.1	
Total %	2.4	39.9	1.7	0.1	5.2	0.5	2.7	0.1	1	37.6	4.4	0.1	2.7	0.5	0.9	0.1	

TRAFFIC DATA INC.

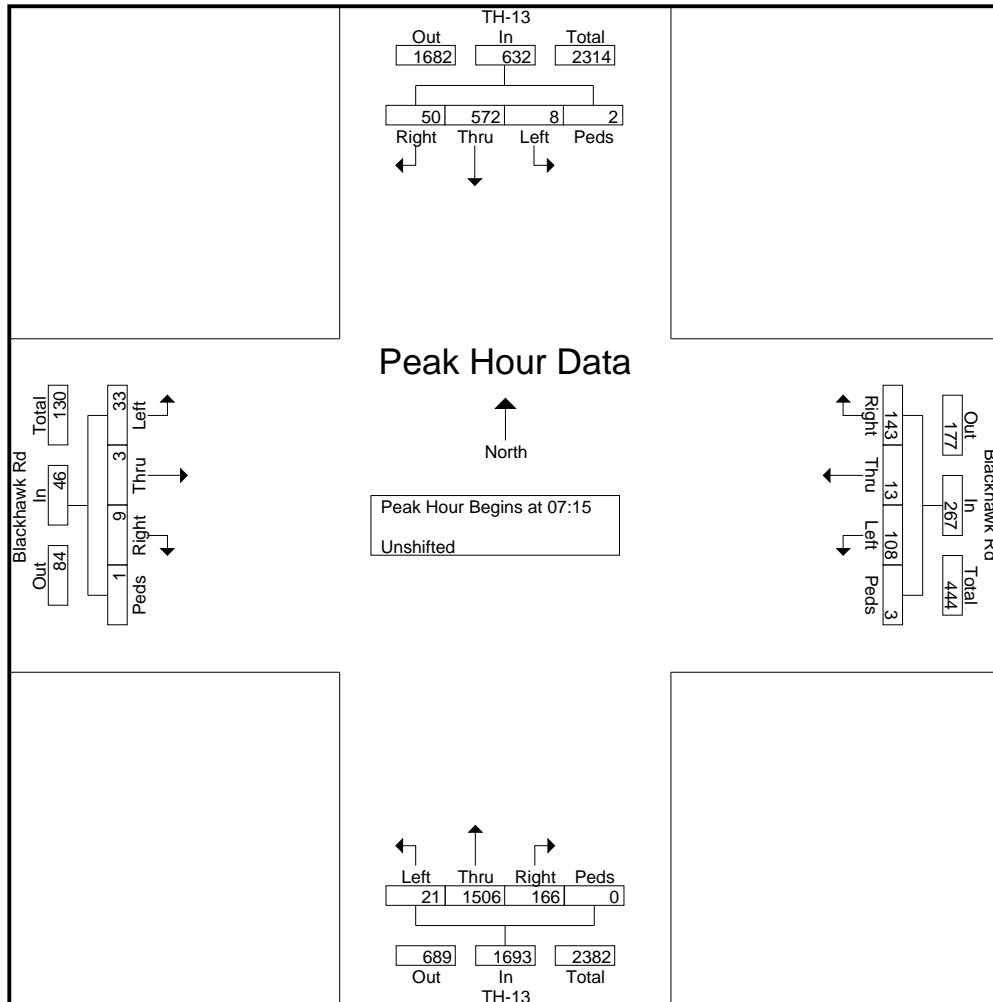
3268 Xenwood Ave S
St Louis Park, MN 55416

TH-13 at Blackhawk Rd.
Ref.Pt.: 103.348

File Name : TH-13 at Blackhawk Rd 2009
Site Code : 01829142
Start Date : 5/19/2009
Page No : 2

TURN MOVEMENT COUNT

Start Time	TH-13 Southbound					Blackhawk Rd Westbound					TH-13 Northbound					Blackhawk Rd Eastbound					Int. Total
	Left	Thru	Right	Peds	App. Total	Left	Thru	Right	Peds	App. Total	Left	Thru	Right	Peds	App. Total	Left	Thru	Right	Peds	App. Total	
Peak Hour Analysis From 06:00 to 08:45 - Peak 1 of 1																					
Peak Hour for Entire Intersection Begins at 07:15																					
07:15	2	137	9	1	149	25	4	28	0	57	5	342	33	0	380	9	1	3	0	13	599
07:30	2	142	12	1	157	29	3	48	2	82	2	382	37	0	421	10	1	2	0	13	673
07:45	2	158	17	0	177	31	3	44	1	79	5	429	48	0	482	8	1	4	1	14	752
08:00	2	135	12	0	149	23	3	23	0	49	9	353	48	0	410	6	0	0	0	6	614
Total Volume	8	572	50	2	632	108	13	143	3	267	21	1506	166	0	1693	33	3	9	1	46	2638
% App. Total	1.3	90.5	7.9	0.3		40.4	4.9	53.6	1.1		1.2	89	9.8	0		71.7	6.5	19.6	2.2		
PHF	1.000	.905	.735	.500	.893	.871	.813	.745	.375	.814	.583	.878	.865	.000	.878	.825	.750	.563	.250	.821	.877



TRAFFIC DATA INC.

3268 Xenwood Ave S
St Louis Park, MN 55416

TH-13 at Blackhawk Rd.

Ref.Pt.: 103.348

File Name : TH-13 at Blackhawk Rd 2009

Site Code : 01829142

Start Date : 5/19/2009

Page No : 3

TURN MOVEMENT COUNT

Start Time	TH-13 Southbound					Blackhawk Rd Westbound					TH-13 Northbound					Blackhawk Rd Eastbound					Int. Total
	Left	Thru	Right	Peds	App. Total	Left	Thru	Right	Peds	App. Total	Left	Thru	Right	Peds	App. Total	Left	Thru	Right	Peds	App. Total	
Peak Hour Analysis From 15:00 to 17:45 - Peak 1 of 1																					
Peak Hour for Entire Intersection Begins at 16:30																					
16:30	50	425	1	0	476	62	4	3	1	70	3	166	25	1	195	22	10	6	0	38	779
16:45	34	419	7	0	460	42	5	3	0	50	4	166	22	0	192	16	3	5	1	25	727
17:00	37	437	7	0	481	40	2	5	0	47	12	191	22	1	226	26	8	3	0	37	791
17:15	35	413	4	0	452	26	1	4	0	31	3	155	15	1	174	10	6	3	1	20	677
Total Volume	156	1694	19	0	1869	170	12	15	1	198	22	678	84	3	787	74	27	17	2	120	2974
% App. Total	8.3	90.6	1	0		85.9	6.1	7.6	0.5		2.8	86.1	10.7	0.4		61.7	22.5	14.2	1.7		
PHF	.780	.969	.679	.000	.971	.685	.600	.750	.250	.707	.458	.887	.840	.750	.871	.712	.675	.708	.500	.789	.940

