

TRAFFIC DATA INC.

3268 Xenwood Ave S
St Louis Park, MN 55416

TH-13 at Yankee Doodle Rd. / CSAH-28
Ref.Pt.: 103.907 Eagan, MN

File Name : TH-13 at Yanke Doodle Rd 2009
Site Code : 01829143
Start Date : 5/19/2009
Page No : 1

TURN MOVEMENT COUNT

Groups Printed- Unshifted

Start Time	TH-13 Southbound					Yankee Doodle Rd Westbound					TH-13 Northbound					Yankee Doodle Rd Eastbound					Int. Total
	Left	Thru	Right	Peds	App. Total	Left	Thru	Right	Peds	App. Total	Left	Thru	Right	Peds	App. Total	Left	Thru	Right	Peds	App. Total	
06:00	4	23	10	1	38	28	19	4	2	53	24	44	31	0	99	3	13	16	0	32	222
06:15	2	35	11	0	48	57	32	4	3	96	30	87	42	0	159	5	7	9	0	21	324
06:30	5	49	9	0	63	71	31	9	0	111	42	127	65	0	234	3	6	5	0	14	422
06:45	3	51	15	0	69	98	61	12	2	173	88	154	88	0	330	3	6	1	0	10	582
Total	14	158	45	1	218	254	143	29	7	433	184	412	226	0	822	14	32	31	0	77	1550
07:00	4	38	16	0	58	78	49	23	5	155	49	174	78	0	301	2	4	2	1	9	523
07:15	10	58	19	1	88	93	58	20	0	171	62	201	112	0	375	2	4	4	2	12	646
07:30	4	62	19	2	87	109	97	38	1	245	93	252	99	0	444	3	12	3	0	18	794
07:45	11	61	18	0	90	91	106	25	2	224	142	233	153	0	528	1	11	5	1	18	860
Total	29	219	72	3	323	371	310	106	8	795	346	860	442	0	1648	8	31	14	4	57	2823
08:00	11	74	22	0	107	84	67	12	0	163	89	179	132	0	400	1	7	6	1	15	685
08:15	8	53	20	0	81	73	64	17	0	154	84	164	104	0	352	3	15	1	15	34	621
08:30	5	49	15	0	69	58	40	13	1	112	54	121	101	0	276	2	17	8	1	28	485
08:45	12	48	18	0	78	85	44	7	1	137	56	108	85	0	249	4	14	5	0	23	487
Total	36	224	75	0	335	300	215	49	2	566	283	572	422	0	1277	10	53	20	17	100	2278
*** BREAK ***																					
11:00	5	58	5	1	69	54	21	10	0	85	14	60	64	0	138	3	33	14	0	50	342
11:15	3	51	2	0	56	79	24	11	2	116	13	65	69	1	148	6	51	13	1	71	391
11:30	9	61	9	0	79	82	33	13	1	129	20	51	75	0	146	8	54	20	1	83	437
11:45	11	67	5	0	83	85	55	13	1	154	30	81	78	0	189	10	51	19	0	80	506
Total	28	237	21	1	287	300	133	47	4	484	77	257	286	1	621	27	189	66	2	284	1676
12:00	13	55	5	0	73	75	40	15	0	130	21	64	93	0	178	8	58	24	1	91	472
12:15	12	61	7	0	80	90	29	19	3	141	40	58	74	1	173	3	35	13	1	52	446
12:30	15	71	6	1	93	108	69	20	0	197	31	68	85	0	184	4	29	6	5	44	518
12:45	6	59	11	0	76	86	60	31	0	177	38	67	77	0	182	6	30	10	2	48	483
Total	46	246	29	1	322	359	198	85	3	645	130	257	329	1	717	21	152	53	9	235	1919
*** BREAK ***																					
15:00	9	78	1	0	88	79	14	11	0	104	8	81	73	0	162	24	43	19	2	88	442
15:15	16	86	2	0	104	97	14	10	1	122	9	87	73	0	169	11	23	19	1	54	449
15:30	10	124	3	0	137	108	19	27	2	156	17	82	115	0	214	39	56	44	0	139	646
15:45	10	136	2	0	148	69	14	18	0	101	5	77	107	0	189	7	38	26	0	71	509
Total	45	424	8	0	477	353	61	66	3	483	39	327	368	0	734	81	160	108	3	352	2046
16:00	14	148	1	0	163	115	19	13	0	147	8	68	95	0	171	23	59	30	0	112	593
16:15	14	136	2	0	152	130	15	19	0	164	13	78	89	0	180	27	31	48	0	106	602
16:30	37	185	2	0	224	165	1	22	1	189	3	80	107	2	192	64	63	44	1	172	777
16:45	19	235	4	0	258	145	9	15	0	169	7	95	102	0	204	24	42	32	1	99	730
Total	84	704	9	0	797	555	44	69	1	669	31	321	393	2	747	138	195	154	2	489	2702
17:00	19	225	4	0	248	195	9	15	0	219	6	90	123	0	219	32	44	39	0	115	801
17:15	17	229	1	1	248	158	3	13	1	175	5	86	101	0	192	18	26	18	1	63	678
17:30	18	204	3	2	227	163	4	7	0	174	1	95	101	0	197	22	27	20	0	69	667
17:45	20	152	3	1	176	114	8	10	1	133	3	64	109	0	176	8	29	6	3	46	531
Total	74	810	11	4	899	630	24	45	2	701	15	335	434	0	784	80	126	83	4	293	2677
Grand Total	356	3022	270	10	3658	3122	1128	496	30	4776	1105	3341	2900	4	7350	379	938	529	41	1887	17671
Apprch %	9.7	82.6	7.4	0.3		65.4	23.6	10.4	0.6		15	45.5	39.5	0.1		20.1	49.7	28	2.2		
Total %	2	17.1	1.5	0.1	20.7	17.7	6.4	2.8	0.2	27	6.3	18.9	16.4	0	41.6	2.1	5.3	3	0.2	10.7	

TRAFFIC DATA INC.

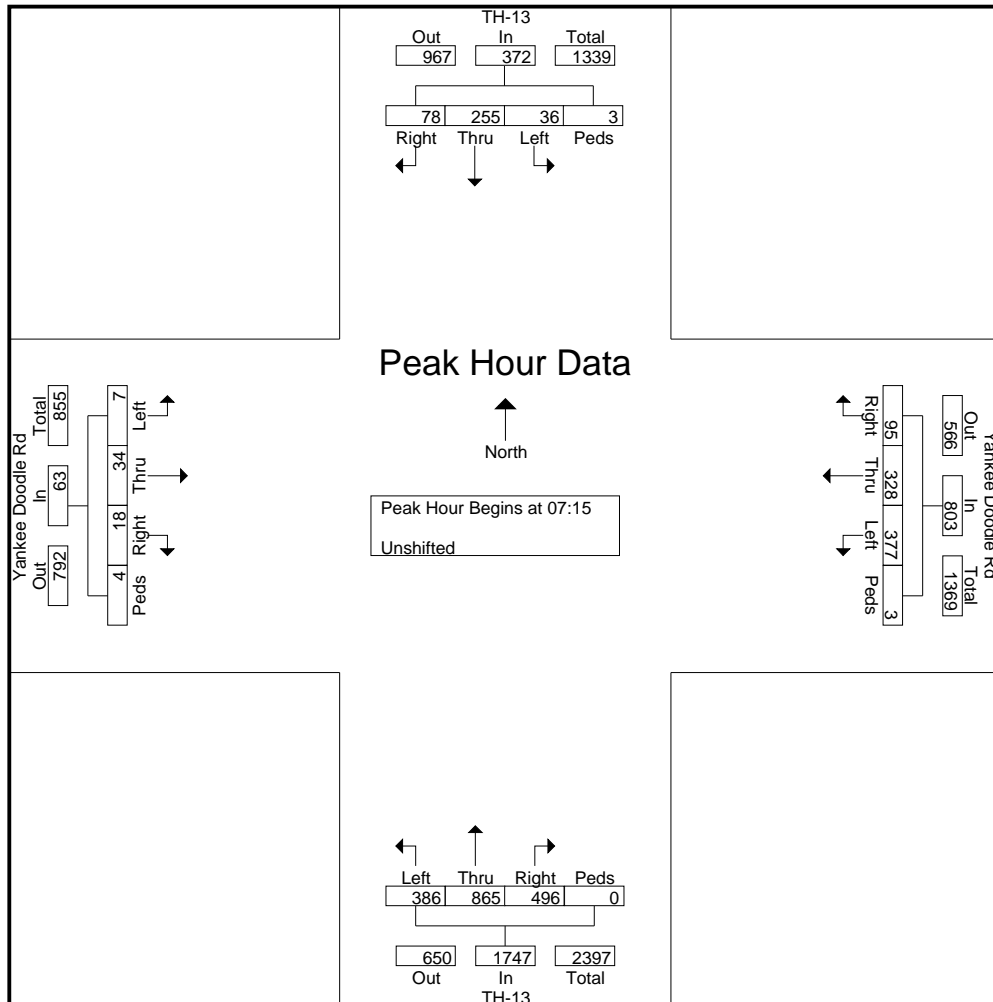
3268 Xenwood Ave S
St Louis Park, MN 55416

TH-13 at Yankee Doodle Rd. / CSAH-28
Ref.Pt.: 103.907 Eagan, MN

File Name : TH-13 at Yanke Doodle Rd 2009
Site Code : 01829143
Start Date : 5/19/2009
Page No : 2

TURN MOVEMENT COUNT

Start Time	TH-13 Southbound					Yankee Doodle Rd Westbound					TH-13 Northbound					Yankee Doodle Rd Eastbound					Int. Total
	Left	Thru	Right	Peds	App. Total	Left	Thru	Right	Peds	App. Total	Left	Thru	Right	Peds	App. Total	Left	Thru	Right	Peds	App. Total	
Peak Hour Analysis From 06:00 to 08:45 - Peak 1 of 1																					
Peak Hour for Entire Intersection Begins at 07:15																					
07:15	10	58	19	1	88	93	58	20	0	171	62	201	112	0	375	2	4	4	2	12	646
07:30	4	62	19	2	87	109	97	38	1	245	93	252	99	0	444	3	12	3	0	18	794
07:45	11	61	18	0	90	91	106	25	2	224	142	233	153	0	528	1	11	5	1	18	860
08:00	11	74	22	0	107	84	67	12	0	163	89	179	132	0	400	1	7	6	1	15	685
Total Volume	36	255	78	3	372	377	328	95	3	803	386	865	496	0	1747	7	34	18	4	63	2985
% App. Total	9.7	68.5	21	0.8		46.9	40.8	11.8	0.4		22.1	49.5	28.4	0		11.1	54	28.6	6.3		
PHF	.818	.861	.886	.375	.869	.865	.774	.625	.375	.819	.680	.858	.810	.000	.827	.583	.708	.750	.500	.875	.868



TRAFFIC DATA INC.

3268 Xenwood Ave S
St Louis Park, MN 55416

TH-13 at Yankee Doodle Rd. / CSAH-28
Ref.Pt.: 103.907 Eagan, MN

File Name : TH-13 at Yanke Doodle Rd 2009
Site Code : 01829143
Start Date : 5/19/2009
Page No : 3

TURN MOVEMENT COUNT

Start Time	TH-13 Southbound					Yankee Doodle Rd Westbound					TH-13 Northbound					Yankee Doodle Rd Eastbound					Int. Total
	Left	Thru	Right	Peds	App. Total	Left	Thru	Right	Peds	App. Total	Left	Thru	Right	Peds	App. Total	Left	Thru	Right	Peds	App. Total	
Peak Hour Analysis From 15:00 to 17:45 - Peak 1 of 1																					
Peak Hour for Entire Intersection Begins at 16:30																					
16:30	37	185	2	0	224	165	1	22	1	189	3	80	107	2	192	64	63	44	1	172	777
16:45	19	235	4	0	258	145	9	15	0	169	7	95	102	0	204	24	42	32	1	99	730
17:00	19	225	4	0	248	195	9	15	0	219	6	90	123	0	219	32	44	39	0	115	801
17:15	17	229	1	1	248	158	3	13	1	175	5	86	101	0	192	18	26	18	1	63	678
Total Volume	92	874	11	1	978	663	22	65	2	752	21	351	433	2	807	138	175	133	3	449	2986
% App. Total	9.4	89.4	1.1	0.1		88.2	2.9	8.6	0.3		2.6	43.5	53.7	0.2		30.7	39	29.6	0.7		
PHF	.622	.930	.688	.250	.948	.850	.611	.739	.500	.858	.750	.924	.880	.250	.921	.539	.694	.756	.750	.653	.932

