



MINNESOTA DEPT OF TRANSPORTATION

TRAFFIC DATA COLLECTION - METRO

Location: TH-169 AT CSAH-3 / MERIDAN AVE
 Ref.Pt.: 091+00.177
 JAMAR# 632 DR
 TURN MOVEMENT COUNT

File Name : TH 169 AT CSAH-3 2008
 Site Code : 00000000
 Start Date : 1/17/2008
 Page No : 1

Groups Printed- Unshifted

Start Time	CSAH 3 Southbound				TH 169 Westbound				CSAH 3 Northbound				TH 169 Eastbound				Int. Total
	Left	Thru	Right	Peds	Left	Thru	Right	Peds	Left	Thru	Right	Peds	Left	Thru	Right	Peds	
06:00	17	1	2	0	2	37	2	0	1	12	38	0	8	86	1	0	207
06:15	18	5	8	0	0	35	4	0	2	7	38	0	15	113	0	0	245
06:30	10	6	12	0	0	57	3	0	4	17	41	0	10	108	0	0	268
06:45	12	4	8	0	4	64	8	0	7	24	56	0	19	104	1	0	311
Total	57	16	30	0	6	193	17	0	14	60	173	0	52	411	2	0	1031
07:00	18	12	9	0	9	74	6	0	4	19	50	0	6	123	0	0	330
07:15	19	11	11	0	7	76	9	0	5	35	47	0	20	110	3	0	353
07:30	14	13	9	0	15	79	20	0	4	35	44	0	16	127	1	0	377
07:45	17	7	11	0	10	74	11	0	4	36	38	0	17	111	1	0	337
Total	68	43	40	0	41	303	46	0	17	125	179	0	59	471	5	0	1397
08:00	19	10	9	0	7	87	16	0	3	58	30	0	17	108	2	0	366
08:15	36	25	12	0	12	72	20	0	2	47	28	0	12	109	1	0	376
08:30	35	15	3	0	9	75	11	0	5	21	16	0	11	138	1	0	340
08:45	22	15	8	0	9	81	4	0	6	19	10	0	9	99	2	0	284
Total	112	65	32	0	37	315	51	0	16	145	84	0	49	454	6	0	1366
*** BREAK ***																	
15:00	16	25	8	0	21	132	18	0	0	23	14	0	14	82	0	0	353
15:15	33	30	16	0	21	98	12	0	3	20	4	0	3	88	2	0	330
15:30	20	23	26	0	47	151	21	0	6	13	11	0	12	106	1	0	437
15:45	20	20	9	0	29	125	26	0	3	29	6	0	7	130	2	0	406
Total	89	98	59	0	118	506	77	0	12	85	35	0	36	406	5	0	1526
16:00	17	38	23	0	24	146	24	0	1	16	6	0	9	114	6	0	424
16:15	11	36	15	0	43	138	22	0	0	25	14	0	14	107	0	0	425
16:30	22	24	19	0	33	156	29	0	3	22	6	0	19	130	2	0	465
16:45	11	24	20	0	40	143	28	0	8	22	7	0	5	130	2	0	440
Total	61	122	77	0	140	583	103	0	12	85	33	0	47	481	10	0	1754
17:00	26	28	23	0	37	160	25	0	2	19	9	0	10	118	3	0	460
17:15	10	23	19	1	38	152	28	0	11	14	17	0	19	104	3	0	439
17:30	16	37	15	0	48	120	18	0	4	19	11	0	10	108	3	0	409
17:45	11	28	14	0	31	131	25	0	1	15	12	0	3	108	1	0	380
Total	63	116	71	1	154	563	96	0	18	67	49	0	42	438	10	0	1688
Grand Total	450	460	309	1	496	2463	390	0	89	567	553	0	285	2661	38	0	8762
Apprch %	36.9	37.7	25.3	0.1	14.8	73.5	11.6	0	7.4	46.9	45.7	0	9.6	89.2	1.3	0	
Total %	5.1	5.2	3.5	0	5.7	28.1	4.5	0	1	6.5	6.3	0	3.3	30.4	0.4	0	



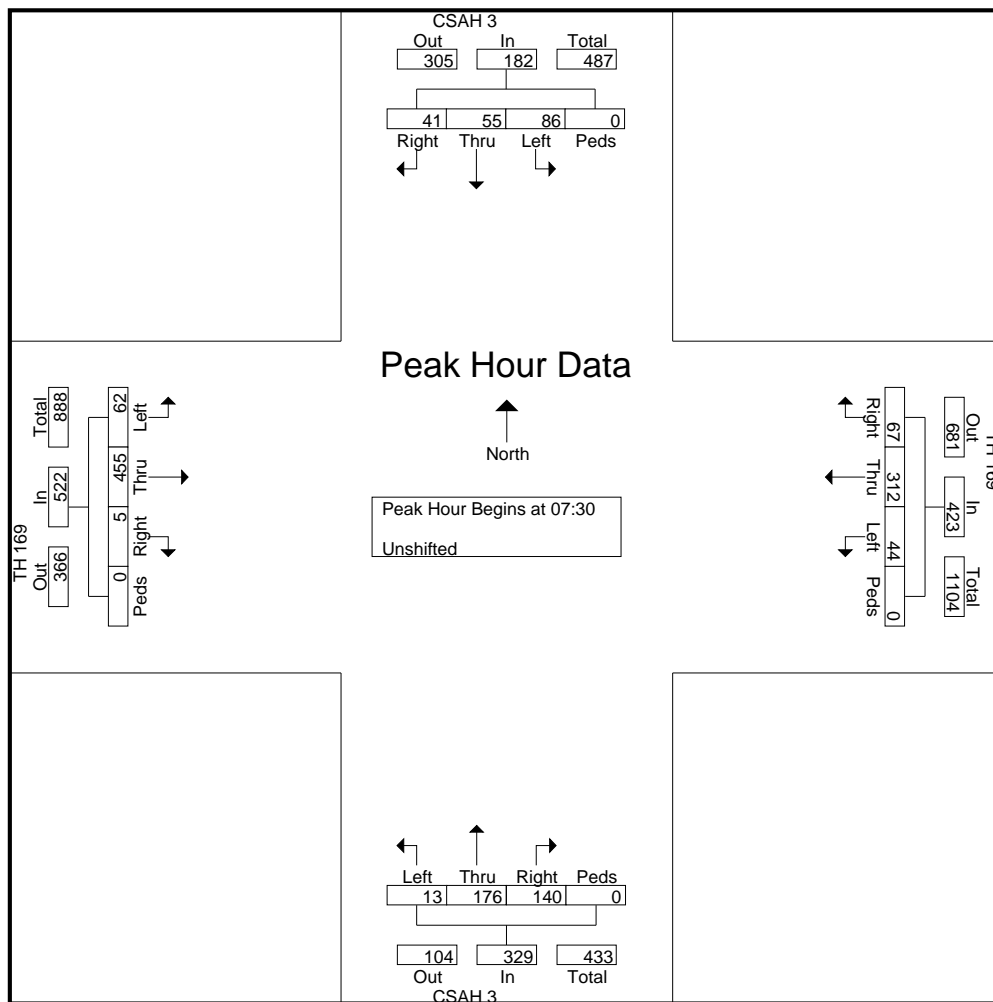
MINNESOTA DEPT OF TRANSPORTATION

TRAFFIC DATA COLLECTION - METRO

Location: TH-169 AT CSAH-3 / MERIDAN AVE
 Ref.Pt.: 091+00.177
 JAMAR# 632 DR
 TURN MOVEMENT COUNT

File Name : TH 169 AT CSAH-3 2008
 Site Code : 00000000
 Start Date : 1/17/2008
 Page No : 2

Start Time	CSAH 3 Southbound					TH 169 Westbound					CSAH 3 Northbound					TH 169 Eastbound					Int. Total
	Left	Thru	Right	Peds	App. Total	Left	Thru	Right	Peds	App. Total	Left	Thru	Right	Peds	App. Total	Left	Thru	Right	Peds	App. Total	
Peak Hour Analysis From 06:00 to 08:45 - Peak 1 of 1																					
Peak Hour for Entire Intersection Begins at 07:30																					
07:30	14	13	9	0	36	15	79	20	0	114	4	35	44	0	83	16	127	1	0	144	377
07:45	17	7	11	0	35	10	74	11	0	95	4	36	38	0	78	17	111	1	0	129	337
08:00	19	10	9	0	38	7	87	16	0	110	3	58	30	0	91	17	108	2	0	127	366
08:15	36	25	12	0	73	12	72	20	0	104	2	47	28	0	77	12	109	1	0	122	376
Total Volume	86	55	41	0	182	44	312	67	0	423	13	176	140	0	329	62	455	5	0	522	1456
% App. Total																					
PHF	.597	.550	.854	.000	.623	.733	.897	.838	.000	.928	.813	.759	.795	.000	.904	.912	.896	.625	.000	.906	.966





MINNESOTA DEPT OF TRANSPORTATION

TRAFFIC DATA COLLECTION - METRO

Location: TH-169 AT CSAH-3 / MERIDAN AVE
 Ref.Pt.: 091+00.177
 JAMAR# 632 DR
 TURN MOVEMENT COUNT

File Name : TH 169 AT CSAH-3 2008
 Site Code : 00000000
 Start Date : 1/17/2008
 Page No : 3

Start Time	CSAH 3 Southbound					TH 169 Westbound					CSAH 3 Northbound					TH 169 Eastbound					Int. Total
	Left	Thru	Right	Peds	App. Total	Left	Thru	Right	Peds	App. Total	Left	Thru	Right	Peds	App. Total	Left	Thru	Right	Peds	App. Total	
Peak Hour Analysis From 15:00 to 17:45 - Peak 1 of 1																					
Peak Hour for Entire Intersection Begins at 16:30																					
16:30	22	24	19	0	65	33	156	29	0	218	3	22	6	0	31	19	130	2	0	151	465
16:45	11	24	20	0	55	40	143	28	0	211	8	22	7	0	37	5	130	2	0	137	440
17:00	26	28	23	0	77	37	160	25	0	222	2	19	9	0	30	10	118	3	0	131	460
17:15	10	23	19	1	53	38	152	28	0	218	11	14	17	0	42	19	104	3	0	126	439
Total Volume	69	99	81	1	250	148	611	110	0	869	24	77	39	0	140	53	482	10	0	545	1804
% App. Total																					
PHF	.663	.884	.880	.250	.812	.925	.955	.948	.000	.979	.545	.875	.574	.000	.833	.697	.927	.833	.000	.902	.970

