

# SRF Consulting Group, Inc

## Minneapolis, MN 55447

Marschall Rd S at Vierling Drive E  
 Ref.Pt.: 110.732 (N of TH-169)  
 data by SRF  
 TURN MOVEMENT COUNT

File Name : Marschall Rd at Vierling Dr 2010 TH-169  
 Site Code : 00111612  
 Start Date : 11/16/2010  
 Page No : 1

Groups Printed- Unshifted

Start Time	Marschall Rd S Northbound				Marschall Rd S Southbound				Vierling Drive E Eastbound				Vierling Drive E Westbound				Int. Total
	Left	Thru	Right	Peds	Left	Thru	Right	Peds	Left	Thru	Right	Peds	Left	Thru	Right	Peds	
06:30	31	62	21	0	6	68	13	0	7	11	50	0	20	4	10	0	303
06:45	53	87	15	0	7	47	10	0	16	12	59	0	21	12	10	0	349
Total	84	149	36	0	13	115	23	0	23	23	109	0	41	16	20	0	652
07:00	37	93	22	0	2	69	13	0	15	14	53	0	19	17	17	0	371
07:15	53	134	26	0	5	66	19	0	25	22	71	0	28	14	15	1	479
07:30	58	126	33	0	20	95	30	1	31	19	66	0	24	13	26	1	543
07:45	57	120	42	0	11	103	28	0	16	22	60	0	41	13	8	0	521
Total	205	473	123	0	38	333	90	1	87	77	250	0	112	57	66	2	1914
08:00	53	93	25	0	5	75	23	0	22	12	59	0	22	14	10	0	413
08:15	61	78	29	0	16	76	10	0	13	21	52	3	18	15	11	0	403
***BREAK***																	
Total	114	171	54	0	21	151	33	0	35	33	111	3	40	29	21	0	816
***BREAK***																	
16:00	118	132	31	0	15	106	54	0	32	22	96	0	30	36	18	0	690
16:15	130	133	57	1	12	129	47	0	36	26	104	1	22	29	19	1	747
16:30	149	143	40	0	15	138	48	0	34	41	98	0	50	39	19	0	814
16:45	149	109	51	0	11	114	72	0	50	37	105	0	36	29	21	0	784
Total	546	517	179	1	53	487	221	0	152	126	403	1	138	133	77	1	3035
17:00	124	110	47	0	25	111	53	0	35	27	106	0	37	48	18	0	741
17:15	128	110	48	1	17	109	45	0	42	27	88	2	48	45	16	1	727
17:30	131	113	53	0	16	97	46	0	59	42	80	0	38	35	13	0	723
17:45	112	115	47	0	20	107	39	0	33	33	106	1	0	0	0	0	613
Total	495	448	195	1	78	424	183	0	169	129	380	3	123	128	47	1	2804
Grand Total	1444	1758	587	2	203	1510	550	1	466	388	1253	7	454	363	231	4	9221
Apprch %	38.1	46.4	15.5	0.1	9	66.7	24.3	0	22	18.4	59.3	0.3	43.2	34.5	22	0.4	
Total %	15.7	19.1	6.4	0	2.2	16.4	6	0	5.1	4.2	13.6	0.1	4.9	3.9	2.5	0	

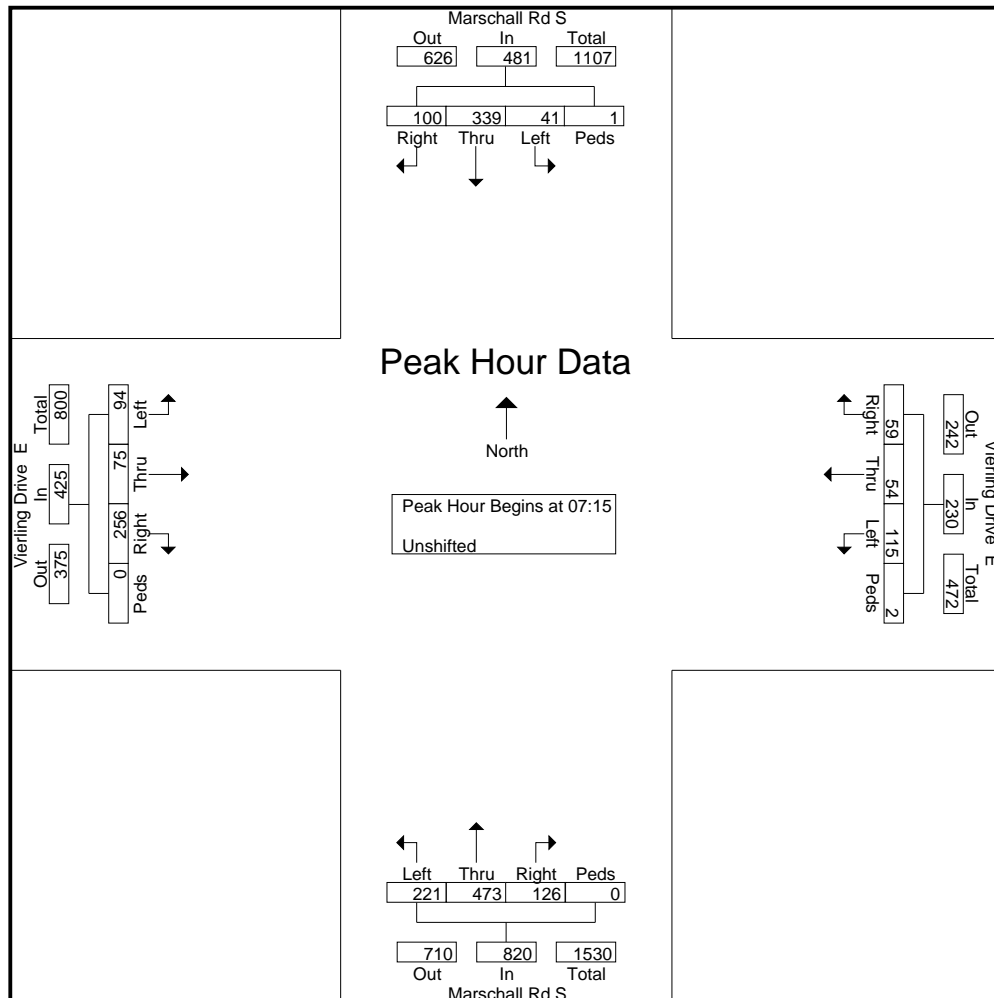
# SRF Consulting Group, Inc

## Minneapolis, MN 55447

Marschall Rd S at Vierling Drive E  
 Ref.Pt.: 110.732 (N of TH-169)  
 data by SRF  
 TURN MOVEMENT COUNT

File Name : Marschall Rd at Vierling Dr 2010 TH-169  
 Site Code : 00111612  
 Start Date : 11/16/2010  
 Page No : 2

Start Time	Marschall Rd S Northbound					Marschall Rd S Southbound					Vierling Drive E Eastbound					Vierling Drive E Westbound					Int. Total
	Left	Thru	Right	Peds	App. Total	Left	Thru	Right	Peds	App. Total	Left	Thru	Right	Peds	App. Total	Left	Thru	Right	Peds	App. Total	
Peak Hour Analysis From 06:30 to 08:15 - Peak 1 of 1																					
Peak Hour for Entire Intersection Begins at 07:15																					
07:15	53	<b>134</b>	26	0	213	5	66	19	0	90	25	<b>22</b>	<b>71</b>	0	<b>118</b>	28	<b>14</b>	15	<b>1</b>	58	479
07:30	<b>58</b>	126	33	0	217	<b>20</b>	95	<b>30</b>	<b>1</b>	<b>146</b>	<b>31</b>	19	66	0	116	24	13	<b>26</b>	1	<b>64</b>	<b>543</b>
07:45	57	120	<b>42</b>	0	<b>219</b>	11	<b>103</b>	28	0	142	16	22	60	0	98	<b>41</b>	13	8	0	62	521
08:00	53	93	25	0	171	5	75	23	0	103	22	12	59	0	93	22	14	10	0	46	413
Total Volume	221	473	126	0	820	41	339	100	1	481	94	75	256	0	425	115	54	59	2	230	1956
% App. Total	27	57.7	15.4	0		8.5	70.5	20.8	0.2		22.1	17.6	60.2	0		50	23.5	25.7	0.9		
PHF	.953	.882	.750	.000	.936	.513	.823	.833	.250	.824	.758	.852	.901	.000	.900	.701	.964	.567	.500	.898	.901



# SRF Consulting Group, Inc

## Minneapolis, MN 55447

Marschall Rd S at Vierling Drive E  
 Ref.Pt.: 110.732 (N of TH-169)  
 data by SRF  
 TURN MOVEMENT COUNT

File Name : Marschall Rd at Vierling Dr 2010 TH-169  
 Site Code : 00111612  
 Start Date : 11/16/2010  
 Page No : 3

Start Time	Marschall Rd S Northbound					Marschall Rd S Southbound					Vierling Drive E Eastbound					Vierling Drive E Westbound					Int. Total	
	Left	Thru	Right	Peds	App. Total	Left	Thru	Right	Peds	App. Total	Left	Thru	Right	Peds	App. Total	Left	Thru	Right	Peds	App. Total		
Peak Hour Analysis From 12:00 to 15:00 - Peak 1 of 1																						
Peak Hour for Entire Intersection Begins at 12:00																						
12:00	0	0	0	0	0	0	0	0	0	0	0	0	0	0	0	0	0	0	0	0	0	0
12:15	0	0	0	0	0	0	0	0	0	0	0	0	0	0	0	0	0	0	0	0	0	0
12:30	0	0	0	0	0	0	0	0	0	0	0	0	0	0	0	0	0	0	0	0	0	0
12:45	0	0	0	0	0	0	0	0	0	0	0	0	0	0	0	0	0	0	0	0	0	0
Total Volume	0	0	0	0	0	0	0	0	0	0	0	0	0	0	0	0	0	0	0	0	0	0
% App. Total	0	0	0	0	0	0	0	0	0	0	0	0	0	0	0	0	0	0	0	0	0	0
PHF	.000	.000	.000	.000	.000	.000	.000	.000	.000	.000	.000	.000	.000	.000	.000	.000	.000	.000	.000	.000	.000	.000

