

Alliant Engineering, Inc

233 Park Ave Suite 300
 Minneapolis, MN 55415

CSAH-83 at Eagle Creek-Dean Lakes Blvd File Name : 342_CSAH 83 & Eagle Creek Blvd-Dean Lakes Blvd
 Ref.Pt.: 112.715 Site Code : 342
 data by : Alliant Inc. Start Date : 11/8/2017
 TURN MOVEMENT COUNT Page No : 1

Groups Printed- Vehicles - Trucks

Start Time	CSAH 83 From North				Dean Lakes Blvd From East				CSAH 83 From South				Eagle Creek Blvd From West				Int. Total
	Other	Left	Thru	Rght	Other	Left	Thru	Rght	Other	Left	Thru	Rght	Other	Left	Thru	Rght	
06:00 AM	0	10	54	14	0	0	4	12	0	0	128	14	0	40	0	9	285
06:15 AM	0	7	45	19	0	0	4	23	0	0	159	7	0	66	4	7	341
06:30 AM	0	7	82	17	0	0	4	20	0	15	195	6	0	76	7	10	439
06:45 AM	1	21	71	24	0	0	8	16	0	41	227	13	0	59	2	12	495
Total	1	45	252	74	0	0	20	71	0	56	709	40	0	241	13	38	1560
07:00 AM	0	14	52	23	0	0	12	40	0	67	235	14	0	50	7	9	523
07:15 AM	0	18	54	17	0	1	18	30	0	73	233	29	0	59	2	9	543
07:30 AM	0	30	57	29	0	1	18	22	0	79	259	19	0	59	2	17	592
07:45 AM	0	65	69	21	0	0	10	17	0	76	247	27	0	61	0	17	610
Total	0	127	232	90	0	2	58	109	0	295	974	89	0	229	11	52	2268
08:00 AM	0	44	51	23	0	1	22	15	0	63	209	23	0	44	0	9	504
08:15 AM	0	22	68	26	0	0	14	17	0	75	185	32	0	42	3	13	497
08:30 AM	0	24	79	26	0	0	10	25	0	48	135	15	0	56	2	28	448
08:45 AM	0	20	92	26	0	1	9	30	0	48	137	13	0	58	5	31	470
Total	0	110	290	101	0	2	55	87	0	234	666	83	0	200	10	81	1919
09:00 AM	0	39	73	19	0	0	14	29	0	41	125	6	0	45	6	21	418
09:15 AM	0	33	95	21	0	3	11	21	0	27	115	7	0	35	6	15	389
*** BREAK ***																	
Total	0	72	168	40	0	3	25	50	0	68	240	13	0	80	12	36	807
*** BREAK ***																	
10:30 AM	0	37	95	22	0	3	16	38	0	29	113	23	0	20	8	8	412
10:45 AM	0	41	103	17	0	3	12	29	0	23	88	5	0	31	9	12	373
Total	0	78	198	39	0	6	28	67	0	52	201	28	0	51	17	20	785
11:00 AM	0	37	106	16	0	3	9	29	0	26	98	3	0	31	5	15	378
11:15 AM	0	36	114	23	0	1	10	38	0	23	98	3	0	28	19	6	399
11:30 AM	0	53	112	24	0	0	6	33	0	33	111	0	0	26	12	13	423
11:45 AM	0	56	143	23	0	1	13	34	0	20	101	2	0	39	14	8	454
Total	0	182	475	86	0	5	38	134	0	102	408	8	0	124	50	42	1654
12:00 PM	0	48	127	16	0	3	21	27	0	18	101	3	0	31	19	9	423
12:15 PM	0	63	114	26	0	3	23	69	0	29	96	1	0	32	14	19	489
12:30 PM	0	50	135	21	0	9	13	49	0	13	108	1	0	38	12	16	465
12:45 PM	0	34	119	31	0	2	16	61	0	16	107	3	0	40	18	8	455
Total	0	195	495	94	0	17	73	206	0	76	412	8	0	141	63	52	1832
01:00 PM	0	47	126	30	0	1	7	48	0	31	88	2	0	33	28	9	450
01:15 PM	0	45	136	19	0	3	13	49	0	16	115	0	0	26	19	15	456
*** BREAK ***																	
Total	0	92	262	49	0	4	20	97	0	47	203	2	0	59	47	24	906
*** BREAK ***																	
02:30 PM	0	43	154	35	0	5	28	39	0	25	139	1	0	36	13	21	539
02:45 PM	0	48	147	29	0	1	20	30	0	36	150	0	0	36	24	25	546
Total	0	91	301	64	0	6	48	69	0	61	289	1	0	72	37	46	1085
03:00 PM	0	44	178	41	0	1	24	29	0	30	132	1	0	16	21	17	534
03:15 PM	0	52	189	31	0	2	18	37	0	38	151	2	0	34	23	22	599
03:30 PM	0	61	216	45	0	1	21	22	0	24	117	2	0	37	30	30	606
03:45 PM	0	76	186	51	0	3	24	40	0	28	96	0	0	45	33	30	612
Total	0	233	769	168	0	7	87	128	0	120	496	5	0	132	107	99	2351
04:00 PM	0	56	219	57	0	2	36	62	0	46	111	0	0	33	23	41	686
04:15 PM	1	61	257	49	0	3	23	41	0	39	120	1	0	40	30	25	690
04:30 PM	0	63	249	52	0	3	21	47	0	53	146	1	0	43	17	26	721
04:45 PM	0	49	246	48	0	4	27	74	0	35	115	11	0	39	24	28	700
Total	1	229	971	206	0	12	107	224	0	173	492	13	0	155	94	120	2797

Alliant Engineering, Inc

233 Park Ave Suite 300
 Minneapolis, MN 55415

CSAH-83 at Eagle Creek-Dean Lakes Blvd
 Ref.Pt.: 112.715
 data by : Alliant Inc.
 TURN MOVEMENT COUNT

TRAFFIC DATA

File Name : 342_CSAH 83 & Eagle Creek Blvd-Dean Lakes Blvd
 Site Code : 342
 Start Date : 11/8/2017
 Page No : 2

Groups Printed- Vehicles - Trucks

Start Time	CSAH 83 From North				Dean Lakes Blvd From East				CSAH 83 From South				Eagle Creek Blvd From West				Int. Total
	Other	Left	Thru	Rght	Other	Left	Thru	Rght	Other	Left	Thru	Rght	Other	Left	Thru	Rght	
05:00 PM	0	49	282	52	0	4	34	77	0	23	123	2	0	46	21	21	734
05:15 PM	0	42	241	31	0	0	28	56	0	46	124	0	0	50	20	19	657
05:30 PM	0	50	259	53	0	1	18	48	0	33	120	0	0	40	15	12	649
05:45 PM	0	53	200	39	0	3	22	27	0	26	107	0	0	39	14	12	542
Total	0	194	982	175	0	8	102	208	0	128	474	2	0	175	70	64	2582
Grand Total	2	1648	5395	1186	0	72	661	1450	0	1412	5564	292	0	1659	531	674	20546
Apprch %	0	20	65.5	14.4	0	3.3	30.3	66.4	0	19.4	76.6	4	0	57.9	18.5	23.5	
Total %	0	8	26.3	5.8	0	0.4	3.2	7.1	0	6.9	27.1	1.4	0	8.1	2.6	3.3	
Vehicles	2	1585	5178	1142	0	71	647	1389	0	1381	5324	289	0	1602	523	659	19792
% Vehicles	100	96.2	96	96.3	0	98.6	97.9	95.8	0	97.8	95.7	99	0	96.6	98.5	97.8	96.3
Trucks	0	63	217	44	0	1	14	61	0	31	240	3	0	57	8	15	754
% Trucks	0	3.8	4	3.7	0	1.4	2.1	4.2	0	2.2	4.3	1	0	3.4	1.5	2.2	3.7

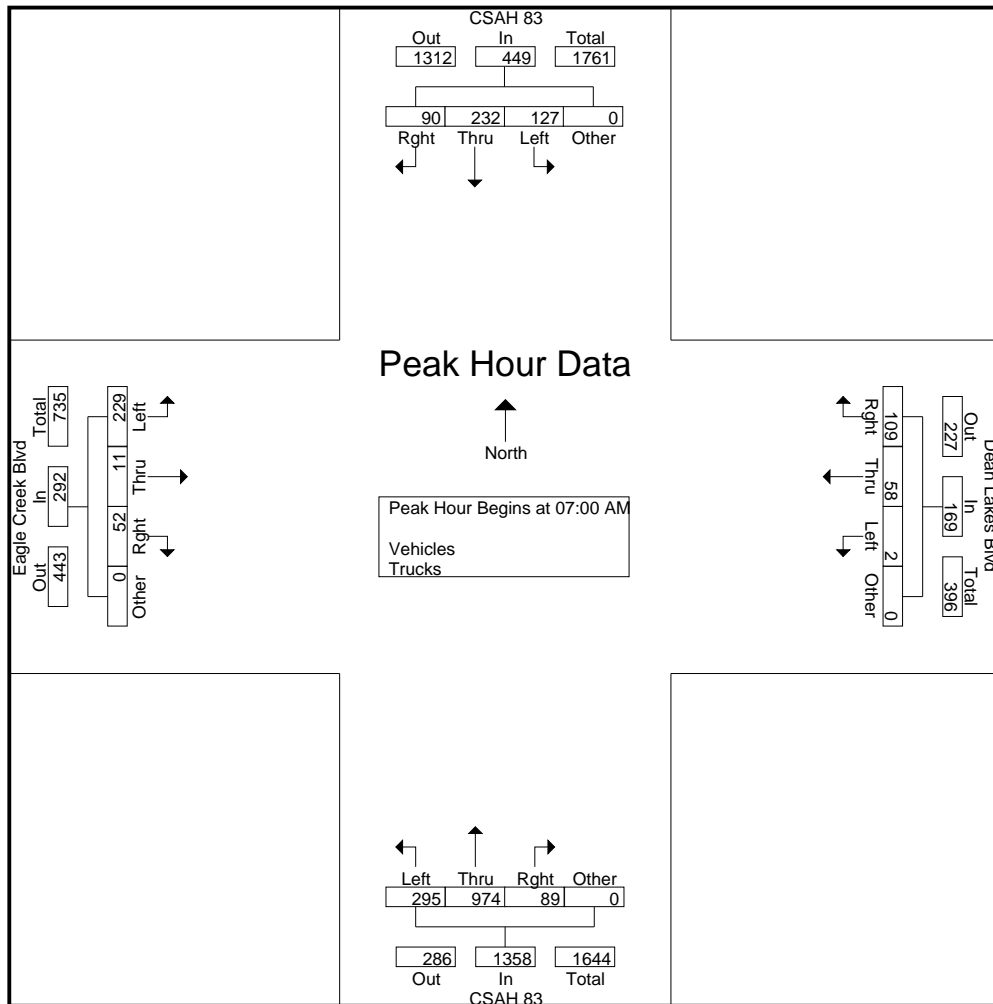
Alliant Engineering, Inc

233 Park Ave Suite 300
 Minneapolis, MN 55415

CSAH-83 at Eagle Creek-Dean Lakes Blvd
 Ref.Pt.: 112.715
 data by : Alliant Inc.
 TURN MOVEMENT COUNT

TRAFFIC DATA
 File Name : 342_CSAH 83 & Eagle Creek Blvd-Dean Lakes Blvd
 Site Code : 342
 Start Date : 11/8/2017
 Page No : 3

Start Time	CSAH 83 From North					Dean Lakes Blvd From East					CSAH 83 From South					Eagle Creek Blvd From West					Int. Total
	Other	Left	Thru	Right	App. Total	Other	Left	Thru	Right	App. Total	Other	Left	Thru	Right	App. Total	Other	Left	Thru	Right	App. Total	
Peak Hour Analysis From 06:00 AM to 11:45 AM - Peak 1 of 1																					
Peak Hour for Entire Intersection Begins at 07:00 AM																					
07:00 AM	0	14	52	23	89	0	0	12	40	52	0	67	235	14	316	0	50	7	9	66	523
07:15 AM	0	18	54	17	89	0	1	18	30	49	0	73	233	29	335	0	59	2	9	70	543
07:30 AM	0	30	57	29	116	0	1	18	22	41	0	79	259	19	357	0	59	2	17	78	592
07:45 AM	0	65	69	21	155	0	0	10	17	27	0	76	247	27	350	0	61	0	17	78	610
Total Volume	0	127	232	90	449	0	2	58	109	169	0	295	974	89	1358	0	229	11	52	292	2268
% App. Total	0	28.3	51.7	20		0	1.2	34.3	64.5		0	21.7	71.7	6.6		0	78.4	3.8	17.8		
PHF	.000	.488	.841	.776	.724	.000	.500	.806	.681	.813	.000	.934	.940	.767	.951	.000	.939	.393	.765	.936	.930



Alliant Engineering, Inc

233 Park Ave Suite 300
 Minneapolis, MN 55415

CSAH-83 at Eagle Creek-Dean Lakes Blvd
 Ref.Pt.: 112.715
 data by : Alliant Inc.
 TURN MOVEMENT COUNT

TRAFFIC DATA

File Name : 342_CSAH 83 & Eagle Creek Blvd-Dean Lakes Blvd
 Site Code : 342
 Start Date : 11/8/2017
 Page No : 4

Start Time	CSAH 83 From North					Dean Lakes Blvd From East					CSAH 83 From South					Eagle Creek Blvd From West					Int. Total
	Other	Left	Thru	Rgh	App. Total	Other	Left	Thru	Rgh	App. Total	Other	Left	Thru	Rgh	App. Total	Other	Left	Thru	Rgh	App. Total	
Peak Hour Analysis From 12:00 PM to 05:45 PM - Peak 1 of 1																					
Peak Hour for Entire Intersection Begins at 04:15 PM																					
04:15 PM	1	61	257	49	368	0	3	23	41	67	0	39	120	1	160	0	40	30	25	95	690
04:30 PM	0	63	249	52	364	0	3	21	47	71	0	53	146	1	200	0	43	17	26	86	721
04:45 PM	0	49	246	48	343	0	4	27	74	105	0	35	115	11	161	0	39	24	28	91	700
05:00 PM	0	49	282	52	383	0	4	34	77	115	0	23	123	2	148	0	46	21	21	88	734
Total Volume	1	222	1034	201	1458	0	14	105	239	358	0	150	504	15	669	0	168	92	100	360	2845
% App. Total	0.1	15.2	70.9	13.8		0	3.9	29.3	66.8		0	22.4	75.3	2.2		0	46.7	25.6	27.8		
PHF	.250	.881	.917	.966	.952	.000	.875	.772	.776	.778	.000	.708	.863	.341	.836	.000	.913	.767	.893	.947	.969

