



MINNESOTA DEPT OF TRANSPORTATION

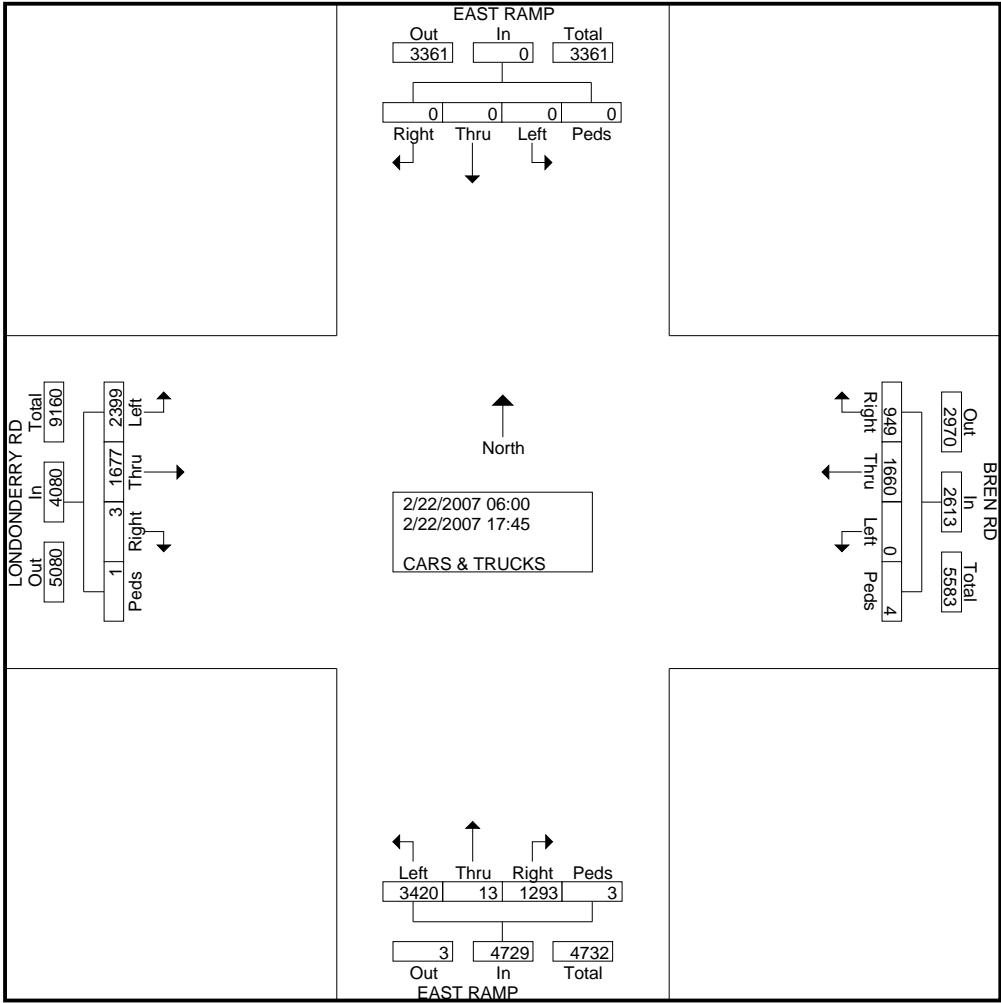
TRAFFIC DATA COLLECTION - METRO

Loc: TH 169 @ BREN RD & LONDONDERRY
 EAST RAMP 2007
 REF. PT.: 124+00.800
 JAMAR#T1385/JLO

File Name : TH 169 @ BREN RD 2007
 Site Code : 00000000
 Start Date : 2/22/2007
 Page No : 1

Groups Printed- CARS & TRUCKS

Start Time	EAST RAMP Southbound					BREN RD Westbound					EAST RAMP Northbound					LONDONDERRY RD Eastbound					Int. Total
	Left	Thru	Right	Peds	App. Total	Left	Thru	Right	Peds	App. Total	Left	Thru	Right	Peds	App. Total	Left	Thru	Right	Peds	App. Total	
06:00	0	0	0	0	0	0	13	6	0	19	53	0	13	0	66	10	10	0	0	20	105
06:15	0	0	0	0	0	0	18	10	0	28	71	0	27	0	98	13	22	0	0	35	161
06:30	0	0	0	0	0	0	16	19	0	35	117	0	33	0	150	23	30	0	0	53	238
06:45	0	0	0	0	0	0	26	13	0	39	170	3	68	0	241	33	37	0	0	70	350
Total	0	0	0	0	0	0	73	48	0	121	411	3	141	0	555	79	99	0	0	178	854
07:00	0	0	0	0	0	0	35	21	0	56	183	0	64	0	247	67	60	0	0	127	430
07:15	0	0	0	0	0	0	50	18	0	68	245	0	85	0	330	51	60	0	0	111	509
07:30	0	0	0	0	0	0	53	37	0	90	228	0	79	0	307	50	63	0	0	113	510
07:45	0	0	0	0	0	0	62	22	0	84	272	0	140	0	412	40	71	0	0	111	607
Total	0	0	0	0	0	0	200	98	0	298	928	0	368	0	1296	208	254	0	0	462	2056
08:00	0	0	0	0	0	0	59	16	0	75	271	0	96	0	367	64	71	0	0	135	577
08:15	0	0	0	0	0	0	55	20	0	75	223	0	87	0	310	43	74	0	0	117	502
08:30	0	0	0	0	0	0	41	29	0	70	201	0	86	0	287	45	64	0	0	109	466
08:45	0	0	0	0	0	0	52	17	0	69	159	1	64	0	224	59	51	0	0	110	403
Total	0	0	0	0	0	0	207	82	0	289	854	1	333	0	1188	211	260	0	0	471	1948
11:00	0	0	0	0	0	0	60	36	0	96	51	2	35	0	88	58	28	0	0	86	270
11:15	0	0	0	0	0	0	60	39	0	99	57	1	30	0	88	57	37	0	1	95	282
11:30	0	0	0	0	0	0	54	43	1	98	58	0	24	0	82	79	53	0	0	132	312
11:45	0	0	0	0	0	0	67	38	0	105	67	0	28	1	96	86	44	0	0	130	331
Total	0	0	0	0	0	0	241	156	1	398	233	3	117	1	354	280	162	0	1	443	1195
12:00	0	0	0	0	0	0	55	33	1	89	52	1	28	1	82	78	53	0	0	131	302
12:15	0	0	0	0	0	0	68	29	0	97	72	0	36	0	108	68	40	0	0	108	313
12:30	0	0	0	0	0	0	44	22	0	66	89	0	26	0	115	58	48	0	0	106	287
12:45	0	0	0	0	0	0	45	21	0	66	106	1	42	0	149	37	48	0	0	85	300
Total	0	0	0	0	0	0	212	105	1	318	319	2	132	1	454	241	189	0	0	430	1202
15:00	0	0	0	0	0	0	34	20	0	54	68	1	19	0	88	134	35	0	0	169	311
15:15	0	0	0	0	0	0	44	22	0	66	48	0	20	0	68	82	36	0	0	118	252
15:30	0	0	0	0	0	0	52	44	1	97	53	0	11	1	65	85	51	0	0	136	298
15:45	0	0	0	0	0	0	38	24	0	62	67	0	19	0	86	94	45	0	0	139	287
Total	0	0	0	0	0	0	168	110	1	279	236	1	69	1	307	395	167	0	0	562	1148
16:00	0	0	0	0	0	0	59	49	0	108	59	3	19	0	81	139	47	0	0	186	375
16:15	0	0	0	0	0	0	61	32	0	93	55	0	15	0	70	113	63	0	0	176	339
16:30	0	0	0	0	0	0	68	41	0	109	51	0	12	0	63	129	59	0	0	188	360
16:45	0	0	0	0	0	0	70	38	1	109	63	0	15	0	78	118	82	0	0	200	387
Total	0	0	0	0	0	0	258	160	1	419	228	3	61	0	292	499	251	0	0	750	1461
17:00	0	0	0	0	0	0	97	56	0	153	51	0	20	0	71	158	80	0	0	238	462
17:15	0	0	0	0	0	0	81	53	0	134	61	0	16	0	77	143	97	0	0	240	451
17:30	0	0	0	0	0	0	71	42	0	113	53	0	18	0	71	99	67	3	0	169	353
17:45	0	0	0	0	0	0	52	39	0	91	46	0	18	0	64	86	51	0	0	137	292
Total	0	0	0	0	0	0	301	190	0	491	211	0	72	0	283	486	295	3	0	784	1558
Grand Total	0	0	0	0	0	0	1660	949	4	2613	3420	13	1293	3	4729	2399	1677	3	1	4080	11422
Apprch %	0	0	0	0		0	63.5	36.3	0.2		72.3	0.3	27.3	0.1		58.8	41.1	0.1	0		
Total %	0	0	0	0	0	0	14.5	8.3	0	22.9	29.9	0.1	11.3	0	41.4	21	14.7	0	0	35.7	



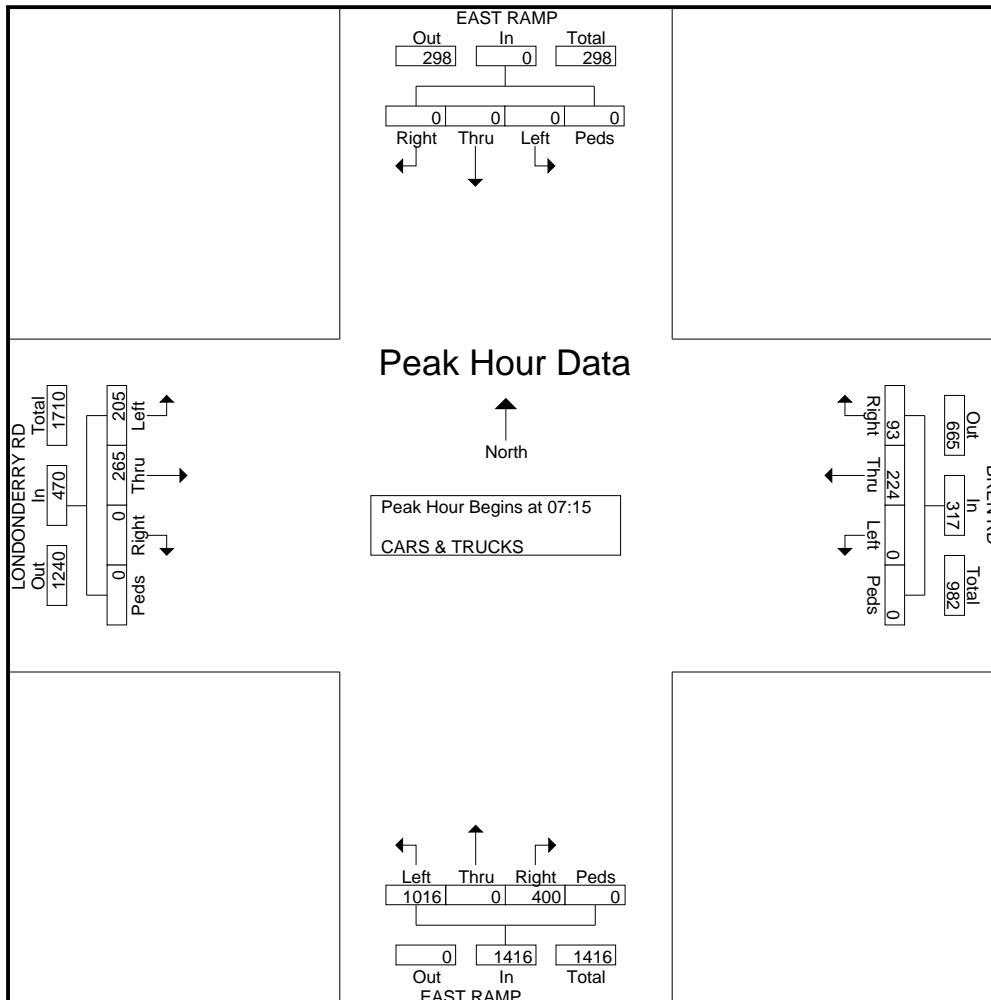


MINNESOTA DEPT OF TRANSPORTATION

TRAFFIC DATA COLLECTION - METRO

File Name : TH 169 @ BREN RD 2007
 Site Code : 00000000
 Start Date : 2/22/2007
 Page No : 3

Start Time	EAST RAMP Southbound					BREN RD Westbound					EAST RAMP Northbound					LONDONDERRY RD Eastbound					Int. Total
	Left	Thru	Right	Peds	App. Total	Left	Thru	Right	Peds	App. Total	Left	Thru	Right	Peds	App. Total	Left	Thru	Right	Peds	App. Total	
Peak Hour Analysis From 06:00 to 09:45 - Peak 1 of 1																					
Peak Hour for Entire Intersection Begins at 07:15																					
07:15	0	0	0	0	0	0	50	18	0	68	245	0	85	0	330	51	60	0	0	111	509
07:30	0	0	0	0	0	0	53	37	0	90	228	0	79	0	307	50	63	0	0	113	510
07:45	0	0	0	0	0	0	62	22	0	84	272	0	140	0	412	40	71	0	0	111	607
08:00	0	0	0	0	0	0	59	16	0	75	271	0	96	0	367	64	71	0	0	135	577
Total Volume	0	0	0	0	0	0	224	93	0	317	1016	0	400	0	1416	205	265	0	0	470	2203
% App. Total	0	0	0	0	0	0	70.7	29.3	0		71.8	0	28.2	0		43.6	56.4	0	0		
PHF	.000	.000	.000	.000	.000	.000	.903	.628	.000	.881	.934	.000	.714	.000	.859	.801	.933	.000	.000	.870	.907





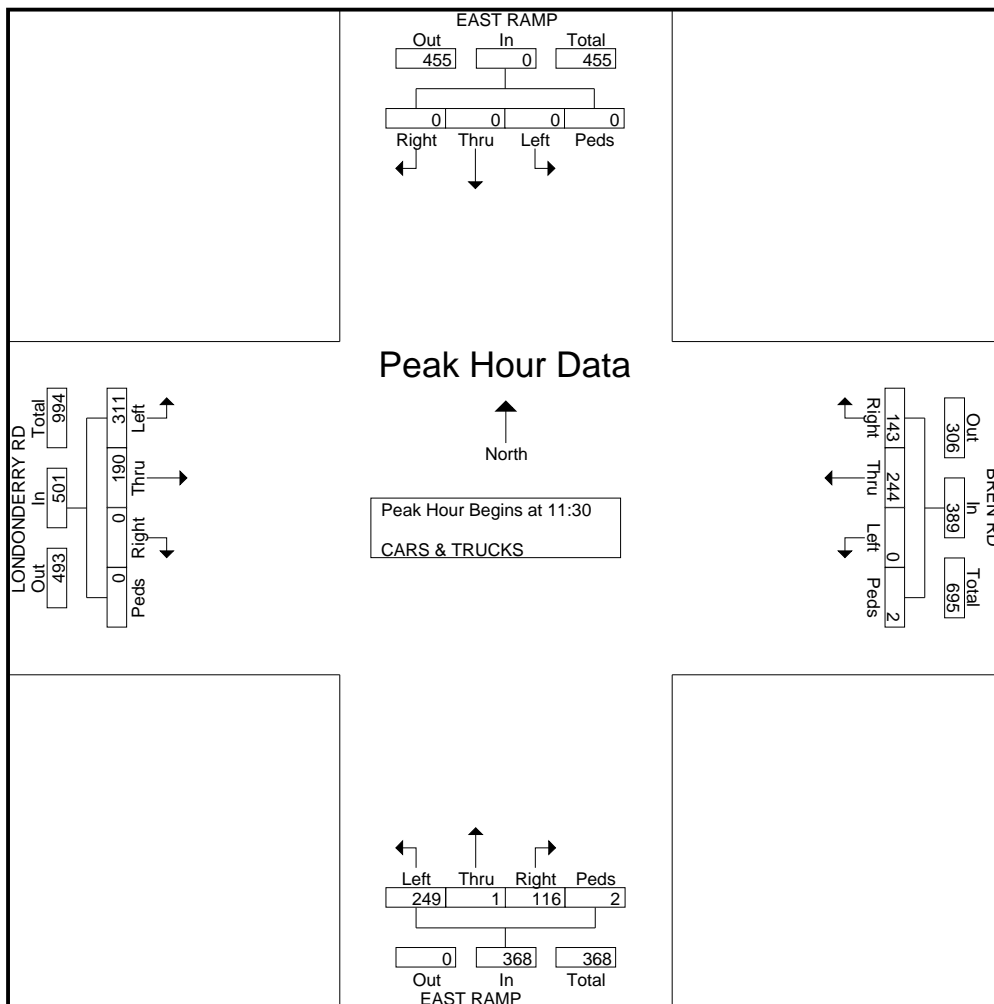
MINNESOTA DEPT OF TRANSPORTATION

TRAFFIC DATA COLLECTION - METRO

File Name : TH 169 @ BREN RD 2007
 Site Code : 00000000
 Start Date : 2/22/2007
 Page No : 4

Start Time	EAST RAMP Southbound					BREN RD Westbound					EAST RAMP Northbound					LONDONDERRY RD Eastbound					Int. Total
	Left	Thru	Right	Peds	App. Total	Left	Thru	Right	Peds	App. Total	Left	Thru	Right	Peds	App. Total	Left	Thru	Right	Peds	App. Total	
11:30	0	0	0	0	0	0	54	43	1	98	58	0	24	0	82	79	53	0	0	132	312
11:45	0	0	0	0	0	0	67	38	0	105	67	0	28	1	96	86	44	0	0	130	331
12:00	0	0	0	0	0	0	55	33	1	89	52	1	28	1	82	78	53	0	0	131	302
12:15	0	0	0	0	0	0	68	29	0	97	72	0	36	0	108	68	40	0	0	108	313
Total Volume	0	0	0	0	0	0	244	143	2	389	249	1	116	2	368	311	190	0	0	501	1258
% App. Total	0	0	0	0	0	0	62.7	36.8	0.5		67.7	0.3	31.5	0.5		62.1	37.9	0	0		
PHF	.000	.000	.000	.000	.000	.000	.897	.831	.500	.926	.865	.250	.806	.500	.852	.904	.896	.000	.000	.949	.950

Peak Hour Analysis From 10:00 to 13:45 - Peak 1 of 1
 Peak Hour for Entire Intersection Begins at 11:30





MINNESOTA DEPT OF TRANSPORTATION

TRAFFIC DATA COLLECTION - METRO

File Name : TH 169 @ BREN RD 2007
 Site Code : 00000000
 Start Date : 2/22/2007
 Page No : 5

Start Time	EAST RAMP Southbound					BREN RD Westbound					EAST RAMP Northbound					LONDONDERRY RD Eastbound					Int. Total
	Left	Thru	Right	Peds	App. Total	Left	Thru	Right	Peds	App. Total	Left	Thru	Right	Peds	App. Total	Left	Thru	Right	Peds	App. Total	
16:30	0	0	0	0	0	0	68	41	0	109	51	0	12	0	63	129	59	0	0	188	360
16:45	0	0	0	0	0	0	70	38	1	109	63	0	15	0	78	118	82	0	0	200	387
17:00	0	0	0	0	0	0	97	56	0	153	51	0	20	0	71	158	80	0	0	238	462
17:15	0	0	0	0	0	0	81	53	0	134	61	0	16	0	77	143	97	0	0	240	451
Total Volume	0	0	0	0	0	0	316	188	1	505	226	0	63	0	289	548	318	0	0	866	1660
% App. Total	0	0	0	0	0	0	62.6	37.2	0.2		78.2	0	21.8	0		63.3	36.7	0	0		
PHF	.000	.000	.000	.000	.000	.000	.814	.839	.250	.825	.897	.000	.788	.000	.926	.867	.820	.000	.000	.902	.898

Peak Hour Analysis From 14:00 to 17:45 - Peak 1 of 1
 Peak Hour for Entire Intersection Begins at 16:30

