



MINNESOTA DEPT OF TRANSPORTATION

TRAFFIC DATA COLLECTION - METRO

Location: TH 169 @ TH 10 SOUTH RAMP 2006
 REF. PT.: 146+00.839
 Jamar# 1358/MAR
 TURN MOVEMENT COUNT

File Name : TH 169 @ TH 10 S RAMP 2006
 Site Code : 00000000
 Start Date : 4/25/2006
 Page No : 1

Groups Printed- Cars & Trucks

Start Time	TH 169 FERRY ST Southbound					N/A Westbound					TH 169 FERRY ST Northbound					TH 10 SOUTH RAMP Eastbound					Int. Total
	LEFT	THRU	RIGHT	Peds	App. Total	LEFT	THRU	RIGHT	Peds	App. Total	LEFT	THRU	RIGHT	Peds	App. Total	LEFT	THRU	RIGHT	Peds	App. Total	
06:00	116	292	0	0	408	0	0	0	0	0	0	39	33	1	73	3	0	3	0	6	487
06:15	103	324	0	1	428	0	0	0	0	0	0	60	37	1	98	6	0	6	0	12	538
06:30	95	363	0	0	458	0	0	0	0	0	0	89	41	0	130	6	0	5	0	11	599
06:45	88	333	0	0	421	0	0	0	0	0	0	77	45	0	122	15	0	2	0	17	560
Total	402	1312	0	1	1715	0	0	0	0	0	0	265	156	2	423	30	0	16	0	46	2184
07:00	100	333	0	0	433	0	0	0	0	0	0	81	50	0	131	10	0	8	0	18	582
07:15	87	294	0	0	381	0	0	0	0	0	0	122	69	0	191	6	0	1	0	7	579
07:30	74	313	0	0	387	0	0	0	0	0	0	97	62	0	159	8	0	6	0	14	560
07:45	78	276	0	1	355	0	0	0	0	0	0	139	71	2	212	15	0	13	0	28	595
Total	339	1216	0	1	1556	0	0	0	0	0	0	439	252	2	693	39	0	28	0	67	2316
08:00	95	256	0	0	351	0	0	0	0	0	0	100	61	0	161	22	0	4	0	26	538
08:15	119	216	0	0	335	0	0	0	0	0	0	100	55	1	156	7	0	13	0	20	511
08:30	89	226	0	2	317	0	0	0	0	0	0	82	76	0	158	9	0	17	0	26	501
08:45	84	182	0	0	266	0	0	0	0	0	0	106	67	1	174	16	0	11	0	27	467
Total	387	880	0	2	1269	0	0	0	0	0	0	388	259	2	649	54	0	45	0	99	2017
11:00	69	124	0	0	193	0	0	0	0	0	0	100	61	0	161	11	0	12	0	23	377
11:15	69	129	0	0	198	0	0	0	0	0	0	106	63	0	169	15	0	14	0	29	396
11:30	53	148	0	0	201	0	0	0	0	0	0	114	72	0	186	7	0	16	0	23	410
11:45	62	125	0	2	189	0	0	0	0	0	0	123	63	1	187	28	1	28	0	57	433
Total	253	526	0	2	781	0	0	0	0	0	0	443	259	1	703	61	1	70	0	132	1616
12:00	68	127	0	0	195	0	0	0	0	0	0	101	85	1	187	12	1	20	0	33	415
12:15	78	138	0	0	216	0	0	0	0	0	0	114	66	1	181	13	0	19	0	32	429
12:30	52	140	0	0	192	0	0	0	0	0	0	126	90	0	216	20	1	16	0	37	445
12:45	59	140	0	1	200	0	0	0	0	0	0	108	82	0	190	15	0	17	0	32	422
Total	257	545	0	1	803	0	0	0	0	0	0	449	323	2	774	60	2	72	0	134	1711
15:00	63	191	0	0	254	0	0	0	0	0	0	189	124	0	313	14	1	23	0	38	605
15:15	75	178	0	0	253	0	0	0	0	0	0	177	126	0	303	12	0	19	0	31	587
15:30	99	196	0	0	295	0	0	0	0	0	0	205	146	0	351	19	0	20	0	39	685
15:45	69	196	0	1	266	0	0	0	0	0	0	210	171	1	382	15	1	27	0	43	691
Total	306	761	0	1	1068	0	0	0	0	0	0	781	567	1	1349	60	2	89	0	151	2568
16:00	109	181	0	3	293	0	0	0	0	0	1	182	145	0	328	17	0	17	0	34	655
16:15	71	179	0	1	251	0	0	0	0	0	0	181	157	0	338	4	0	16	0	20	609
16:30	101	213	0	0	314	0	0	0	0	0	0	203	153	0	356	11	1	13	0	25	695
16:45	80	187	0	0	267	0	0	0	0	0	0	174	185	0	359	10	0	22	0	32	658
Total	361	760	0	4	1125	0	0	0	0	0	1	740	640	0	1381	42	1	68	0	111	2617
17:00	77	178	0	0	255	0	0	0	0	0	0	193	138	0	331	15	0	17	0	32	618
17:15	82	220	0	1	303	0	0	0	0	0	0	185	143	0	328	15	0	18	0	33	664
17:30	86	158	0	0	244	0	0	0	0	0	0	205	150	2	357	19	0	10	0	29	630
17:45	77	164	0	0	241	0	0	0	0	0	0	188	163	2	353	8	0	9	0	17	611
Total	322	720	0	1	1043	0	0	0	0	0	0	771	594	4	1369	57	0	54	0	111	2523
Grand Total	2627	6720	0	13	9360	0	0	0	0	0	1	4276	3050	14	7341	403	6	442	0	851	17552
Apprch %	28.1	71.8	0	0.1		0	0	0	0	0	0	58.2	41.5	0.2		47.4	0.7	51.9	0		
Total %	15	38.3	0	0.1	53.3	0	0	0	0	0	0	24.4	17.4	0.1	41.8	2.3	0	2.5	0	4.8	

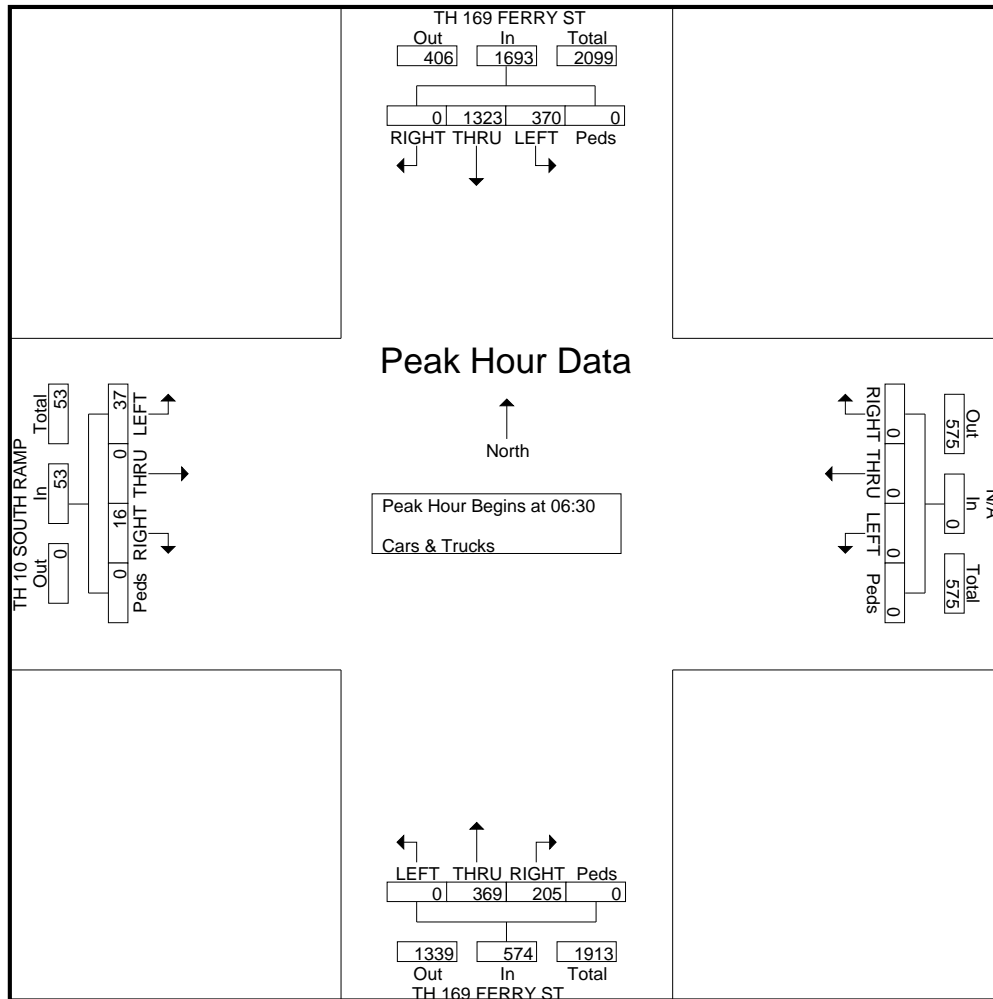


MINNESOTA DEPT OF TRANSPORTATION

TRAFFIC DATA COLLECTION - METRO

File Name : TH 169 @ TH 10 S RAMP 2006
 Site Code : 00000000
 Start Date : 4/25/2006
 Page No : 2

Start Time	TH 169 FERRY ST Southbound					N/A Westbound					TH 169 FERRY ST Northbound					TH 10 SOUTH RAMP Eastbound					Int. Total
	LEFT	THRU	RIGHT	Peds	App. Total	LEFT	THRU	RIGHT	Peds	App. Total	LEFT	THRU	RIGHT	Peds	App. Total	LEFT	THRU	RIGHT	Peds	App. Total	
Peak Hour Analysis From 06:00 to 09:45 - Peak 1 of 1																					
Peak Hour for Entire Intersection Begins at 06:30																					
06:30	95	363	0	0	458	0	0	0	0	0	0	89	41	0	130	6	0	5	0	11	599
06:45	88	333	0	0	421	0	0	0	0	0	0	77	45	0	122	15	0	2	0	17	560
07:00	100	333	0	0	433	0	0	0	0	0	0	81	50	0	131	10	0	8	0	18	582
07:15	87	294	0	0	381	0	0	0	0	0	0	122	69	0	191	6	0	1	0	7	579
Total Volume	370	1323	0	0	1693	0	0	0	0	0	0	369	205	0	574	37	0	16	0	53	2320
% App. Total	21.9	78.1	0	0		0	0	0	0		0	64.3	35.7	0		69.8	0	30.2	0		
PHF	.925	.911	.000	.000	.924	.000	.000	.000	.000	.000	.000	.756	.743	.000	.751	.617	.000	.500	.000	.736	.968



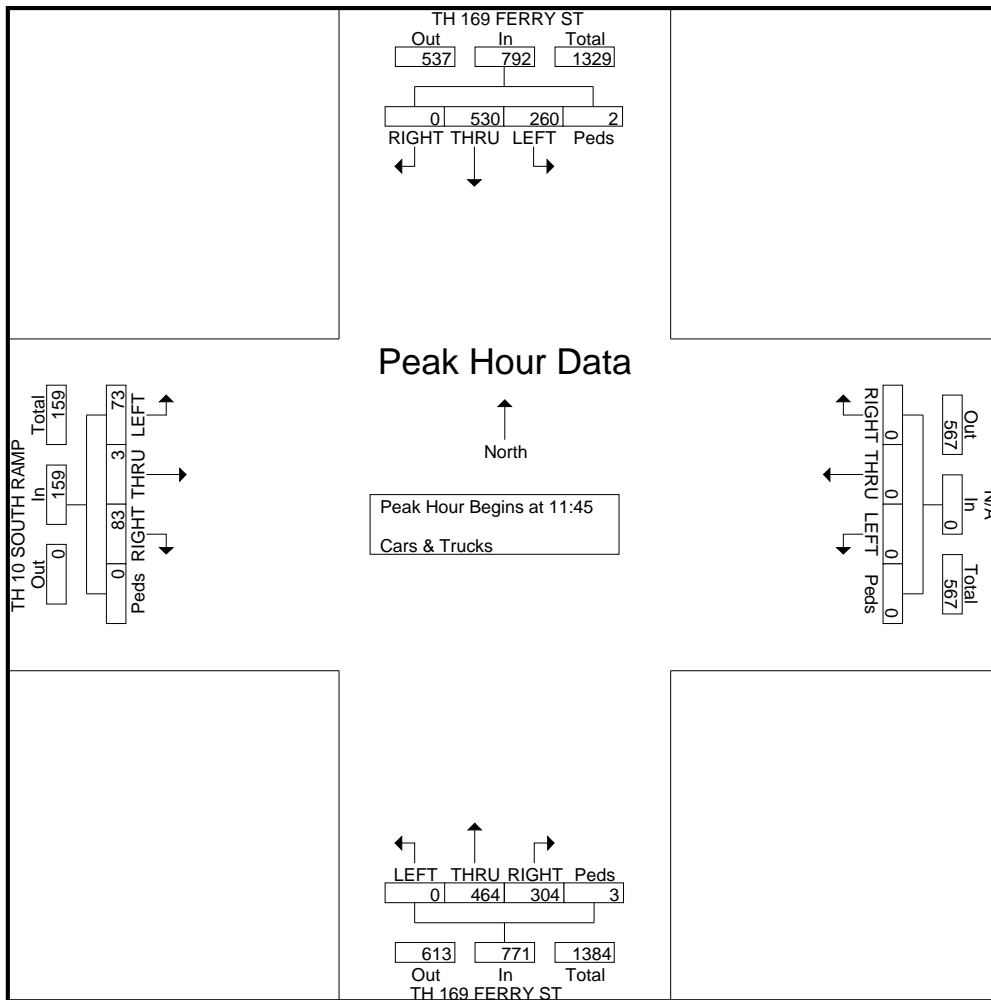


MINNESOTA DEPT OF TRANSPORTATION

TRAFFIC DATA COLLECTION - METRO

File Name : TH 169 @ TH 10 S RAMP 2006
 Site Code : 00000000
 Start Date : 4/25/2006
 Page No : 3

Start Time	TH 169 FERRY ST Southbound					N/A Westbound					TH 169 FERRY ST Northbound					TH 10 SOUTH RAMP Eastbound					Int. Total
	LEFT	THRU	RIGHT	Peds	App. Total	LEFT	THRU	RIGHT	Peds	App. Total	LEFT	THRU	RIGHT	Peds	App. Total	LEFT	THRU	RIGHT	Peds	App. Total	
Peak Hour Analysis From 10:00 to 13:45 - Peak 1 of 1																					
Peak Hour for Entire Intersection Begins at 11:45																					
11:45	62	125	0	2	189	0	0	0	0	0	0	123	63	1	187	28	1	28	0	57	433
12:00	68	127	0	0	195	0	0	0	0	0	0	101	85	1	187	12	1	20	0	33	415
12:15	78	138	0	0	216	0	0	0	0	0	0	114	66	1	181	13	0	19	0	32	429
12:30	52	140	0	0	192	0	0	0	0	0	0	126	90	0	216	20	1	16	0	37	445
Total Volume	260	530	0	2	792	0	0	0	0	0	0	464	304	3	771	73	3	83	0	159	1722
% App. Total	32.8	66.9	0	0.3		0	0	0	0		0	60.2	39.4	0.4		45.9	1.9	52.2	0		
PHF	.833	.946	.000	.250	.917	.000	.000	.000	.000	.000	.000	.921	.844	.750	.892	.652	.750	.741	.000	.697	.967





MINNESOTA DEPT OF TRANSPORTATION

TRAFFIC DATA COLLECTION - METRO

File Name : TH 169 @ TH 10 S RAMP 2006
 Site Code : 00000000
 Start Date : 4/25/2006
 Page No : 4

Start Time	TH 169 FERRY ST Southbound					N/A Westbound					TH 169 FERRY ST Northbound					TH 10 SOUTH RAMP Eastbound					Int. Total
	LEFT	THRU	RIGHT	Peds	App. Total	LEFT	THRU	RIGHT	Peds	App. Total	LEFT	THRU	RIGHT	Peds	App. Total	LEFT	THRU	RIGHT	Peds	App. Total	
Peak Hour Analysis From 14:00 to 17:45 - Peak 1 of 1																					
Peak Hour for Entire Intersection Begins at 15:45																					
15:45	69	196	0	1	266	0	0	0	0	0	0	210	171	1	382	15	1	27	0	43	691
16:00	109	181	0	3	293	0	0	0	0	0	1	182	145	0	328	17	0	17	0	34	655
16:15	71	179	0	1	251	0	0	0	0	0	0	181	157	0	338	4	0	16	0	20	609
16:30	101	213	0	0	314	0	0	0	0	0	0	203	153	0	356	11	1	13	0	25	695
Total Volume	350	769	0	5	1124	0	0	0	0	0	1	776	626	1	1404	47	2	73	0	122	2650
% App. Total	31.1	68.4	0	0.4		0	0	0	0		0.1	55.3	44.6	0.1		38.5	1.6	59.8	0		
PHF	.803	.903	.000	.417	.895	.000	.000	.000	.000	.000	.250	.924	.915	.250	.919	.691	.500	.676	.000	.709	.953

