

# Alliant Engineering

Minneapolis, MN 55415

--TRAFFIC DATA --

School Street at Freeport St / Ave.  
ELK RIVER  
Alliant Eng.  
TURN MOVEMENT COUNT

File Name : 415\_School St & Freeport  
Site Code : 415  
Start Date : 3/3/2016  
Page No : 1

Groups Printed- Vehicles - Trucks

Start Time	Freeport Street Southbound				School Street Westbound				Freeport Avenue Northbound				School Street Eastbound				Int. Total
	Left	Thru	Rght	Other	Left	Thru	Rght	Other	Left	Thru	Rght	Other	Left	Thru	Rght	Other	
06:00	16	3	0	0	4	10	8	0	1	1	2	0	1	30	1	0	77
06:15	14	2	7	0	2	16	12	0	1	5	2	0	2	27	2	0	92
06:30	19	5	8	0	6	31	13	0	2	2	0	0	5	50	1	0	142
06:45	15	2	11	0	7	73	21	0	5	4	4	0	3	52	10	0	207
Total	64	12	26	0	19	130	54	0	9	12	8	0	11	159	14	0	518
07:00	15	5	4	0	6	110	14	1	7	7	3	0	7	90	10	0	279
07:15	19	11	7	0	18	79	19	0	10	2	0	0	14	101	12	0	292
07:30	23	13	11	0	24	41	20	0	10	8	3	0	9	49	13	0	224
07:45	17	9	11	0	26	82	27	0	6	6	5	0	9	65	17	0	280
Total	74	38	33	0	74	312	80	1	33	23	11	0	39	305	52	0	1075
08:00	21	12	9	0	18	50	17	0	9	8	7	0	6	75	16	0	248
08:15	12	13	8	0	12	33	23	0	6	11	6	0	9	37	14	0	184
08:30	20	9	4	0	12	22	27	0	4	23	18	0	7	31	6	0	183
08:45	15	14	18	0	15	56	19	0	18	14	13	0	8	41	14	0	245
Total	68	48	39	0	57	161	86	0	37	56	44	0	30	184	50	0	860
09:00	11	19	12	0	13	65	36	0	4	16	13	0	19	84	16	0	308
09:15	28	21	4	0	15	25	34	0	5	18	4	0	14	29	9	0	206
*** BREAK ***																	
Total	39	40	16	0	28	90	70	0	9	34	17	0	33	113	25	0	514
*** BREAK ***																	
10:30	16	20	8	0	16	23	37	0	6	18	14	0	8	24	9	0	199
10:45	35	20	10	0	18	36	29	0	8	22	9	0	6	27	9	0	229
Total	51	40	18	0	34	59	66	0	14	40	23	0	14	51	18	0	428
11:00	32	17	9	0	16	26	53	0	8	33	13	0	10	31	10	0	258
11:15	22	23	15	0	9	33	58	0	7	27	15	0	19	25	11	1	265
11:30	36	21	11	0	23	32	65	0	2	28	13	0	27	41	18	0	317
11:45	32	26	16	0	27	14	64	0	10	33	5	0	16	22	21	0	286
Total	122	87	51	0	75	105	240	0	27	121	46	0	72	119	60	1	1126
12:00	26	19	21	0	22	29	61	0	14	39	14	1	21	23	11	0	301
12:15	32	20	23	0	26	23	54	0	8	33	19	0	15	31	10	1	295
12:30	30	31	21	0	16	32	39	0	10	32	25	0	20	26	9	0	291
12:45	31	28	34	0	29	35	57	0	8	26	20	0	6	15	17	0	306
Total	119	98	99	0	93	119	211	0	40	130	78	1	62	95	47	1	1193
13:00	44	34	22	0	15	22	56	0	7	31	12	0	19	17	12	0	291
13:15	34	39	20	0	27	20	45	0	11	31	18	0	13	35	21	0	314
*** BREAK ***																	
Total	78	73	42	0	42	42	101	0	18	62	30	0	32	52	33	0	605
*** BREAK ***																	
14:30	32	38	22	0	17	44	56	0	14	37	22	0	20	50	32	6	390
14:45	19	25	27	0	24	60	52	0	12	35	21	0	11	40	12	0	338
Total	51	63	49	0	41	104	108	0	26	72	43	0	31	90	44	6	728
15:00	37	23	20	0	27	55	77	0	9	33	21	0	8	70	29	0	409
15:15	34	23	31	0	26	50	70	0	13	26	21	0	20	48	15	0	377
15:30	32	35	44	0	10	57	69	0	13	36	22	0	15	43	17	0	393
15:45	41	23	21	0	17	65	81	0	17	32	20	0	25	83	17	1	443
Total	144	104	116	0	80	227	297	0	52	127	84	0	68	244	78	1	1622
16:00	31	20	20	0	19	37	66	0	12	42	26	0	23	67	27	0	390
16:15	34	22	25	0	26	76	100	0	11	37	25	2	15	37	16	0	426
16:30	39	28	31	0	23	62	75	0	20	47	32	0	23	57	19	0	456

# Alliant Engineering

Minneapolis, MN 55415

--TRAFFIC DATA --

School Street at Freeport St / Ave.  
 ELK RIVER  
 Alliant Eng.  
 TURN MOVEMENT COUNT

File Name : 415\_School St & Freeport  
 Site Code : 415  
 Start Date : 3/3/2016  
 Page No : 2

Groups Printed- Vehicles - Trucks

Start Time	Freeport Street Southbound				School Street Westbound				Freeport Avenue Northbound				School Street Eastbound				Int. Total
	Left	Thru	Rght	Other	Left	Thru	Rght	Other	Left	Thru	Rght	Other	Left	Thru	Rght	Other	
16:45	36	27	21	0	26	91	104	0	25	47	47	0	19	51	25	0	519
Total	140	97	97	0	94	266	345	0	68	173	130	2	80	212	87	0	1791
17:00	47	23	27	0	20	72	102	0	11	37	33	0	24	93	24	0	513
17:15	44	32	26	0	25	65	93	0	19	38	22	0	26	43	18	0	451
17:30	31	24	29	0	25	62	99	0	16	34	32	3	13	48	20	0	436
17:45	51	24	33	0	28	84	67	0	14	30	22	0	22	48	17	0	440
Total	173	103	115	0	98	283	361	0	60	139	109	3	85	232	79	0	1840
Grand Total	1123	803	701	0	735	1898	2019	1	393	989	623	6	557	1856	587	9	12300
Apprch %	42.7	30.6	26.7	0	15.8	40.8	43.4	0	19.5	49.2	31	0.3	18.5	61.7	19.5	0.3	
Total %	9.1	6.5	5.7	0	6	15.4	16.4	0	3.2	8	5.1	0	4.5	15.1	4.8	0.1	
Vehicles	1107	793	694	0	727	1807	1997	1	375	979	613	5	545	1774	562	9	11988
% Vehicles	98.6	98.8	99	0	98.9	95.2	98.9	100	95.4	99	98.4	83.3	97.8	95.6	95.7	100	97.5
Trucks	16	10	7	0	8	91	22	0	18	10	10	1	12	82	25	0	312
% Trucks	1.4	1.2	1	0	1.1	4.8	1.1	0	4.6	1	1.6	16.7	2.2	4.4	4.3	0	2.5

# Alliant Engineering

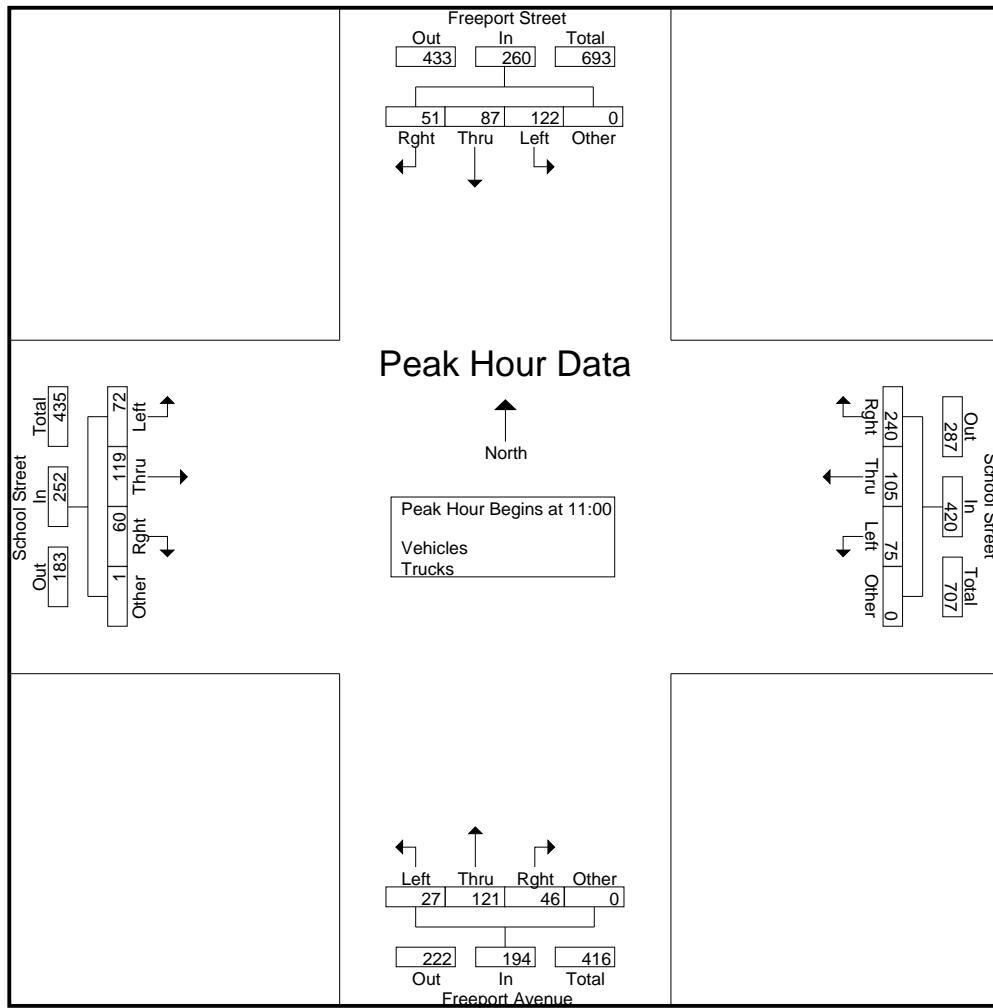
Minneapolis, MN 55415

--TRAFFIC DATA --

School Street at Freepport St / Ave.  
ELK RIVER  
Alliant Eng.  
TURN MOVEMENT COUNT

File Name : 415\_School St & Freepport  
Site Code : 415  
Start Date : 3/3/2016  
Page No : 3

Start Time	Freepport Street Southbound					School Street Westbound					Freepport Avenue Northbound					School Street Eastbound					Int. Total
	Left	Thru	Right	Other	App. Total	Left	Thru	Right	Other	App. Total	Left	Thru	Right	Other	App. Total	Left	Thru	Right	Other	App. Total	
Peak Hour Analysis From 06:00 to 11:45 - Peak 1 of 1																					
Peak Hour for Entire Intersection Begins at 11:00																					
11:00	32	17	9	0	58	16	26	53	0	95	8	33	13	0	54	10	31	10	0	51	258
11:15	22	23	15	0	60	9	33	58	0	100	7	27	15	0	49	19	25	11	1	56	265
11:30	36	21	11	0	68	23	32	65	0	120	2	28	13	0	43	27	41	18	0	86	317
11:45	32	26	16	0	74	27	14	64	0	105	10	33	5	0	48	16	22	21	0	59	286
Total Volume	122	87	51	0	260	75	105	240	0	420	27	121	46	0	194	72	119	60	1	252	1126
% App. Total	46.9	33.5	19.6	0		17.9	25	57.1	0		13.9	62.4	23.7	0		28.6	47.2	23.8	0.4		
PHF	.847	.837	.797	.000	.878	.694	.795	.923	.000	.875	.675	.917	.767	.000	.898	.667	.726	.714	.250	.733	.888



# Alliant Engineering

Minneapolis, MN 55415

--TRAFFIC DATA --

School Street at Freepport St / Ave.  
ELK RIVER  
Alliant Eng.  
TURN MOVEMENT COUNT

File Name : 415\_School St & Freepport  
Site Code : 415  
Start Date : 3/3/2016  
Page No : 4

Start Time	Freepport Street Southbound					School Street Westbound					Freepport Avenue Northbound					School Street Eastbound					Int. Total
	Left	Thru	Rght	Other	App. Total	Left	Thru	Rght	Other	App. Total	Left	Thru	Rght	Other	App. Total	Left	Thru	Rght	Other	App. Total	
Peak Hour Analysis From 12:00 to 17:45 - Peak 1 of 1																					
Peak Hour for Entire Intersection Begins at 16:30																					
16:30	39	28	31	0	98	23	62	75	0	160	20	47	32	0	99	23	57	19	0	99	456
16:45	36	27	21	0	84	26	91	104	0	221	25	47	47	0	119	19	51	25	0	95	519
17:00	47	23	27	0	97	20	72	102	0	194	11	37	33	0	81	24	93	24	0	141	513
17:15	44	32	26	0	102	25	65	93	0	183	19	38	22	0	79	26	43	18	0	87	451
Total Volume	166	110	105	0	381	94	290	374	0	758	75	169	134	0	378	92	244	86	0	422	1939
% App. Total	43.6	28.9	27.6	0		12.4	38.3	49.3	0		19.8	44.7	35.4	0		21.8	57.8	20.4	0		
PHF	.883	.859	.847	.000	.934	.904	.797	.899	.000	.857	.750	.899	.713	.000	.794	.885	.656	.860	.000	.748	.934

