

Alliant Engineering

Minneapolis, MN 55415

--TRAFFIC DATA --

TH-169 at Jackson Ave ELK RIVER

Ref.Pt.:

Alliant Eng.

TURN MOVEMENT COUNT

File Name : 416_TH 169 & Jackson Ave

Site Code : 416

Start Date : 3/3/2016

Page No : 1

Groups Printed- Vehicles - Trucks

Start Time	TH-169 Southbound				Jackson Ave Westbound				TH-169 Northbound				Jackson Ave Eastbound				Int. Total
	Left	Thru	Rght	Other	Left	Thru	Rght	Other	Left	Thru	Rght	Other	Left	Thru	Rght	Other	
06:00	2	396	7	0	20	2	2	0	3	43	12	0	6	9	6	0	508
06:15	1	387	11	0	13	5	2	0	2	57	11	0	2	6	9	0	506
06:30	0	404	18	0	20	8	3	0	3	78	11	0	2	12	2	0	561
06:45	1	402	25	0	15	26	3	0	2	80	4	0	4	9	2	0	573
Total	4	1589	61	0	68	41	10	0	10	258	38	0	14	36	19	0	2148
07:00	4	351	51	0	20	40	3	0	8	108	17	0	14	19	7	0	642
07:15	1	407	53	0	35	56	3	0	6	110	12	0	19	18	6	0	726
07:30	2	435	27	0	30	24	1	0	5	133	17	0	10	25	10	0	719
07:45	10	367	14	0	29	48	4	0	11	126	29	0	5	18	6	0	667
Total	17	1560	145	0	114	168	11	0	30	477	75	0	48	80	29	0	2754
08:00	12	277	21	0	23	45	4	0	3	74	24	0	15	43	8	0	549
08:15	3	287	22	0	27	23	2	0	6	96	16	0	6	21	8	0	517
08:30	4	288	36	0	32	22	1	0	12	96	26	0	14	13	7	0	551
08:45	7	273	21	0	21	15	2	0	7	80	26	0	10	26	6	0	494
Total	26	1125	100	0	103	105	9	0	28	346	92	0	45	103	29	0	2111
09:00	1	200	16	0	26	34	4	0	18	99	25	0	22	25	9	0	479
09:15	3	181	10	0	24	46	6	0	13	91	25	0	10	30	7	0	446
*** BREAK ***																	
Total	4	381	26	0	50	80	10	0	31	190	50	0	32	55	16	0	925
*** BREAK ***																	
10:30	2	168	13	0	30	30	6	0	12	110	28	0	18	26	12	0	455
10:45	5	168	18	0	33	20	5	0	14	113	26	0	15	21	13	0	451
Total	7	336	31	0	63	50	11	0	26	223	54	0	33	47	25	0	906
11:00	2	129	26	0	13	20	2	0	15	118	43	0	20	24	5	0	417
11:15	2	151	11	0	37	45	8	0	16	125	31	0	16	28	8	0	478
11:30	6	140	16	0	28	33	2	0	18	137	34	0	17	24	12	0	467
11:45	1	143	12	0	31	27	8	0	24	132	30	0	22	30	12	0	472
Total	11	563	65	0	109	125	20	0	73	512	138	0	75	106	37	0	1834
12:00	3	135	10	0	27	35	8	1	14	123	32	0	30	43	10	0	471
12:15	2	154	14	0	39	34	4	0	23	151	37	0	33	35	11	0	537
12:30	5	139	16	0	37	38	5	0	24	153	35	0	25	32	12	0	521
12:45	5	144	20	0	39	18	8	0	15	125	43	0	24	32	10	0	483
Total	15	572	60	0	142	125	25	1	76	552	147	0	112	142	43	0	2012
13:00	3	132	16	0	29	40	4	0	19	148	50	0	31	40	11	0	523
13:15	3	144	8	0	40	42	5	0	16	154	39	0	41	23	11	0	526
*** BREAK ***																	
Total	6	276	24	0	69	82	9	0	35	302	89	0	72	63	22	0	1049
*** BREAK ***																	
14:30	2	165	10	0	27	28	9	0	21	224	58	0	52	80	5	0	681
14:45	6	158	13	0	27	45	8	0	29	264	57	0	29	31	7	0	674
Total	8	323	23	0	54	73	17	0	50	488	115	0	81	111	12	0	1355
15:00	7	145	12	0	36	46	7	0	29	258	60	0	51	48	13	0	712
15:15	3	152	9	0	28	40	10	0	21	245	48	0	53	63	25	1	698
15:30	3	160	17	0	35	41	12	0	19	285	73	0	46	32	8	0	731
15:45	8	147	12	0	23	46	7	0	29	361	52	0	51	52	10	0	798
Total	21	604	50	0	122	173	36	0	98	1149	233	0	201	195	56	1	2939
16:00	10	172	13	0	37	74	9	0	36	332	81	0	76	40	5	0	885
16:15	3	153	19	0	39	51	15	0	29	380	81	0	64	65	3	0	902
16:30	10	148	11	0	33	54	16	0	57	366	80	0	62	49	10	0	896

Alliant Engineering

Minneapolis, MN 55415

--TRAFFIC DATA --

TH-169 at Jackson Ave ELK RIVER

Ref.Pt.:

Alliant Eng.

TURN MOVEMENT COUNT

File Name : 416_TH 169 & Jackson Ave

Site Code : 416

Start Date : 3/3/2016

Page No : 2

Groups Printed- Vehicles - Trucks

Start Time	TH-169 Southbound				Jackson Ave Westbound				TH-169 Northbound				Jackson Ave Eastbound				Int. Total
	Left	Thru	Rght	Other	Left	Thru	Rght	Other	Left	Thru	Rght	Other	Left	Thru	Rght	Other	
16:45	7	144	9	0	32	62	6	0	29	397	82	0	80	60	5	0	913
Total	30	617	52	0	141	241	46	0	151	1475	324	0	282	214	23	0	3596
17:00	7	140	9	0	33	73	21	0	48	377	93	0	92	64	10	0	967
17:15	9	171	7	0	39	49	18	0	40	354	82	0	76	41	6	0	892
17:30	2	127	18	0	33	56	13	0	24	314	65	0	52	60	6	0	770
17:45	5	154	21	0	48	39	5	0	37	305	60	0	60	46	3	0	783
Total	23	592	55	0	153	217	57	0	149	1350	300	0	280	211	25	0	3412
Grand Total	172	8538	692	0	1188	1480	261	1	757	7322	1655	0	1275	1363	336	1	25041
Apprch %	1.8	90.8	7.4	0	40.5	50.5	8.9	0	7.8	75.2	17	0	42.9	45.8	11.3	0	
Total %	0.7	34.1	2.8	0	4.7	5.9	1	0	3	29.2	6.6	0	5.1	5.4	1.3	0	
Vehicles	166	8126	679	0	1154	1424	252	0	748	6963	1617	0	1253	1327	332	0	24041
% Vehicles	96.5	95.2	98.1	0	97.1	96.2	96.6	0	98.8	95.1	97.7	0	98.3	97.4	98.8	0	96
Trucks	6	412	13	0	34	56	9	1	9	359	38	0	22	36	4	1	1000
% Trucks	3.5	4.8	1.9	0	2.9	3.8	3.4	100	1.2	4.9	2.3	0	1.7	2.6	1.2	100	4

Alliant Engineering

Minneapolis, MN 55415

--TRAFFIC DATA --

TH-169 at Jackson Ave ELK RIVER

Ref.Pt.:

Alliant Eng.

TURN MOVEMENT COUNT

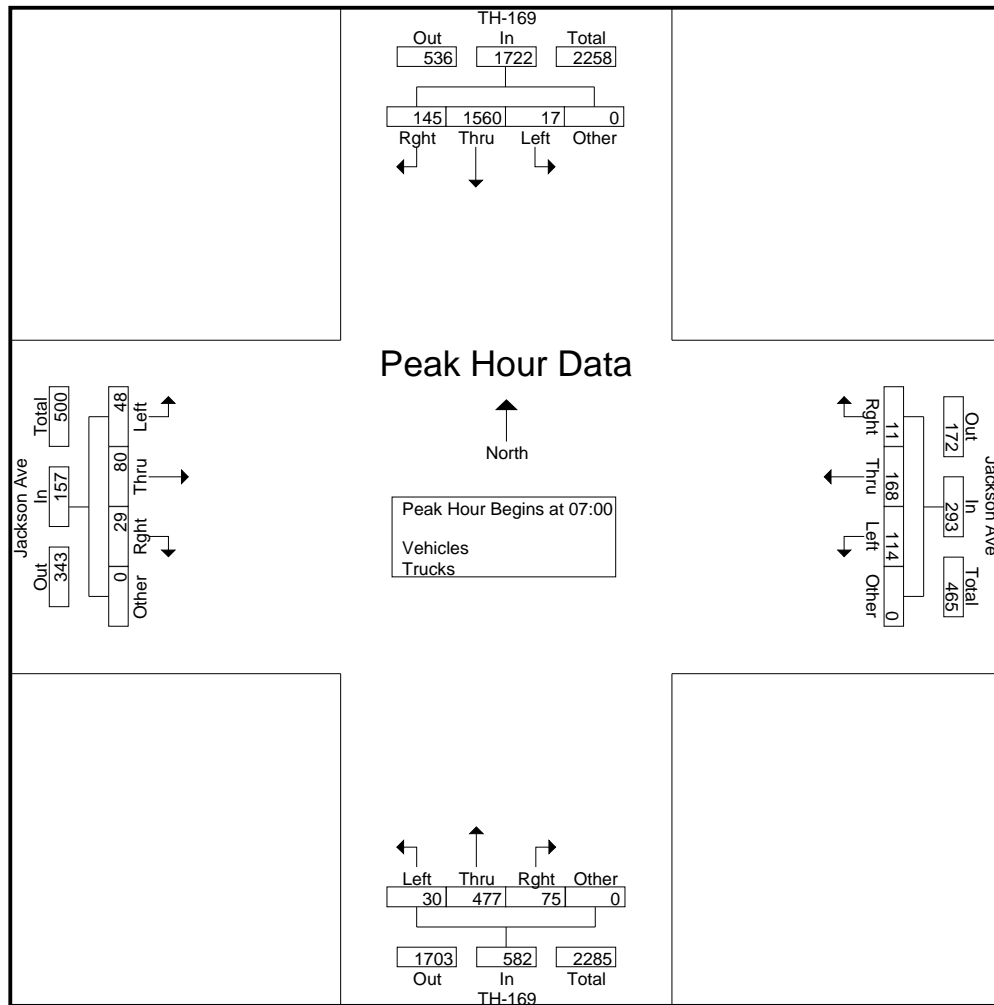
File Name : 416_TH 169 & Jackson Ave

Site Code : 416

Start Date : 3/3/2016

Page No : 3

Start Time	TH-169 Southbound					Jackson Ave Westbound					TH-169 Northbound					Jackson Ave Eastbound					Int. Total
	Left	Thru	Rght	Other	App. Total	Left	Thru	Rght	Other	App. Total	Left	Thru	Rght	Other	App. Total	Left	Thru	Rght	Other	App. Total	
Peak Hour Analysis From 06:00 to 11:45 - Peak 1 of 1																					
Peak Hour for Entire Intersection Begins at 07:00																					
07:00	4	351	51	0	406	20	40	3	0	63	8	108	17	0	133	14	19	7	0	40	642
07:15	1	407	53	0	461	35	56	3	0	94	6	110	12	0	128	19	18	6	0	43	726
07:30	2	435	27	0	464	30	24	1	0	55	5	133	17	0	155	10	25	10	0	45	719
07:45	10	367	14	0	391	29	48	4	0	81	11	126	29	0	166	5	18	6	0	29	667
Total Volume	17	1560	145	0	1722	114	168	11	0	293	30	477	75	0	582	48	80	29	0	157	2754
% App. Total	1	90.6	8.4	0		38.9	57.3	3.8	0		5.2	82	12.9	0		30.6	51	18.5	0		
PHF	.425	.897	.684	.000	.928	.814	.750	.688	.000	.779	.682	.897	.647	.000	.877	.632	.800	.725	.000	.872	.948



Alliant Engineering

Minneapolis, MN 55415

--TRAFFIC DATA --

TH-169 at Jackson Ave ELK RIVER

Ref.Pt.:

Alliant Eng.

TURN MOVEMENT COUNT

File Name : 416_TH 169 & Jackson Ave

Site Code : 416

Start Date : 3/3/2016

Page No : 4

Start Time	TH-169 Southbound					Jackson Ave Westbound					TH-169 Northbound					Jackson Ave Eastbound					Int. Total
	Left	Thru	Rght	Other	App. Total	Left	Thru	Rght	Other	App. Total	Left	Thru	Rght	Other	App. Total	Left	Thru	Rght	Other	App. Total	
Peak Hour Analysis From 12:00 to 17:45 - Peak 1 of 1																					
Peak Hour for Entire Intersection Begins at 16:15																					
16:15	3	153	19	0	175	39	51	15	0	105	29	380	81	0	490	64	65	3	0	132	902
16:30	10	148	11	0	169	33	54	16	0	103	57	366	80	0	503	62	49	10	0	121	896
16:45	7	144	9	0	160	32	62	6	0	100	29	397	82	0	508	80	60	5	0	145	913
17:00	7	140	9	0	156	33	73	21	0	127	48	377	93	0	518	92	64	10	0	166	967
Total Volume	27	585	48	0	660	137	240	58	0	435	163	1520	336	0	2019	298	238	28	0	564	3678
% App. Total	4.1	88.6	7.3	0		31.5	55.2	13.3	0		8.1	75.3	16.6	0		52.8	42.2	5	0		
PHF	.675	.956	.632	.000	.943	.878	.822	.690	.000	.856	.715	.957	.903	.000	.974	.810	.915	.700	.000	.849	.951

