

Albeck Gerken, Inc

Transportation Engineers

Traffic Data Collection

Prairie Center Drive at Preserve Blvd

File Name : Prairie Center Dr at Preserve Blvd 2004

Ref.Pt.: Eden Prairie

Site Code : 00000000

Data by: Albeck Gerken Inc - George/Nic

Start Date : 12/2/2004

TURN MOVEMENT COUNT

Page No : 1

Groups Printed- Unshifted

Start Time	Mall entrance Southbound				PRAIRIE CENTER DRIVE Westbound				PRESERVE BLVD Northbound				PRAIRIE CENTER DRIVE Eastbound				Int. Total
	Left	Thru	Right	Peds	Left	Thru	Right	Peds	Left	Thru	Right	Peds	Left	Thru	Right	Peds	
06:30	3	0	0	0	7	25	3	0	27	8	124	0	1	61	6	1	266
06:45	4	1	1	0	11	31	10	0	45	11	145	0	8	102	10	0	379
Total	7	1	1	0	18	56	13	0	72	19	269	0	9	163	16	1	645
07:00	5	5	3	0	20	32	6	1	49	9	175	0	6	124	11	0	446
07:15	5	1	3	0	10	57	2	0	93	24	204	0	6	137	14	0	556
07:30	7	6	0	0	15	40	2	0	80	23	224	0	5	135	17	0	554
07:45	8	5	3	0	20	53	6	0	68	20	252	0	11	186	17	0	649
Total	25	17	9	0	65	182	16	1	290	76	855	0	28	582	59	0	2205
08:00	1	4	2	0	23	52	6	0	51	15	209	0	8	175	14	0	560
08:15	2	5	5	0	24	49	7	0	54	25	168	0	7	158	29	0	533
*** BREAK ***																	
Total	3	9	7	0	47	101	13	0	105	40	377	0	15	333	43	0	1093
*** BREAK ***																	
16:00	10	41	46	1	155	115	16	1	26	19	32	0	20	72	58	0	612
16:15	9	41	35	0	144	106	9	0	21	28	26	0	17	62	72	1	571
16:30	10	53	19	0	167	107	30	0	39	24	42	0	22	78	68	0	659
16:45	6	38	30	0	186	130	24	1	24	37	42	0	34	54	83	0	689
Total	35	173	130	1	652	458	79	2	110	108	142	0	93	266	281	1	2531
17:00	6	39	51	0	206	140	22	0	39	34	47	0	33	73	92	0	782
17:15	8	58	30	1	184	147	12	0	40	30	36	0	35	62	100	0	743
17:30	13	56	21	0	170	111	12	0	27	36	41	0	32	75	96	0	690
17:45	9	62	34	0	180	124	13	0	45	45	39	0	18	63	74	0	706
Total	36	215	136	1	740	522	59	0	151	145	163	0	118	273	362	0	2921
Grand Total	106	415	283	2	1522	1319	180	3	728	388	1806	0	263	1617	761	2	9395
Apprch %	13.2	51.5	35.1	0.2	50.3	43.6	6	0.1	24.9	13.3	61.8	0	10	61.2	28.8	0.1	
Total %	1.1	4.4	3	0	16.2	14	1.9	0	7.7	4.1	19.2	0	2.8	17.2	8.1	0	

Albeck Gerken, Inc

Transportation Engineers

Traffic Data Collection

Prairie Center Drive at Preserve Blvd

File Name : Prairie Center Dr at Preserve Blvd 2004

Ref.Pt.: Eden Prairie

Site Code : 00000000

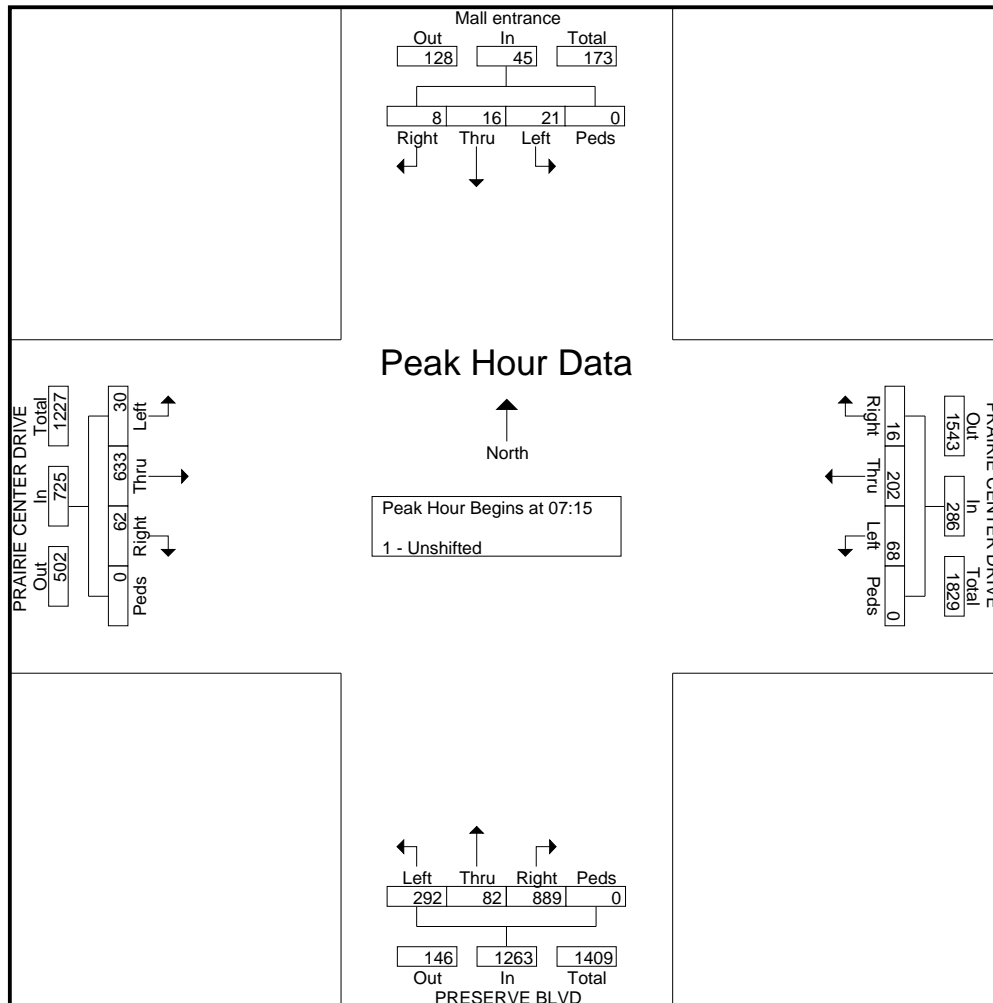
Data by: Albeck Gerken Inc - George/Nic

Start Date : 12/2/2004

TURN MOVEMENT COUNT

Page No : 2

Start Time	Mall entrance Southbound					PRAIRIE CENTER DRIVE Westbound					PRESERVE BLVD Northbound					PRAIRIE CENTER DRIVE Eastbound					Int. Total
	Left	Thru	Right	Peds	App. Total	Left	Thru	Right	Peds	App. Total	Left	Thru	Right	Peds	App. Total	Left	Thru	Right	Peds	App. Total	
Peak Hour Analysis From 06:30 to 08:15 - Peak 1 of 1																					
Peak Hour for Entire Intersection Begins at 07:15																					
07:15	5	1	3	0	9	10	57	2	0	69	93	24	204	0	321	6	137	14	0	157	556
07:30	7	6	0	0	13	15	40	2	0	57	80	23	224	0	327	5	135	17	0	157	554
07:45	8	5	3	0	16	20	53	6	0	79	68	20	252	0	340	11	186	17	0	214	649
08:00	1	4	2	0	7	23	52	6	0	81	51	15	209	0	275	8	175	14	0	197	560
Total Volume	21	16	8	0	45	68	202	16	0	286	292	82	889	0	1263	30	633	62	0	725	2319
% App. Total	46.7	35.6	17.8	0		23.8	70.6	5.6	0		23.1	6.5	70.4	0		4.1	87.3	8.6	0		
PHF	.656	.667	.667	.000	.703	.739	.886	.667	.000	.883	.785	.854	.882	.000	.929	.682	.851	.912	.000	.847	.893



Albeck Gerken, Inc

Transportation Engineers

Traffic Data Collection

Prairie Center Drive at Preserve Blvd
 Ref.Pt.: Eden Prairie
 Data by: Albeck Gerken Inc - George/Nic
 TURN MOVEMENT COUNT

File Name : Prairie Center Dr at Preserve Blvd 2004
 Site Code : 00000000
 Start Date : 12/2/2004
 Page No : 3

Start Time	Mall entrance Southbound					PRAIRIE CENTER DRIVE Westbound					PRESERVE BLVD Northbound					PRAIRIE CENTER DRIVE Eastbound					Int. Total
	Left	Thru	Right	Peds	App. Total	Left	Thru	Right	Peds	App. Total	Left	Thru	Right	Peds	App. Total	Left	Thru	Right	Peds	App. Total	
Peak Hour Analysis From 16:00 to 17:45 - Peak 1 of 1																					
Peak Hour for Entire Intersection Begins at 17:00																					
17:00	6	39	51	0	96	206	140	22	0	368	39	34	47	0	120	33	73	92	0	198	782
17:15	8	58	30	1	97	184	147	12	0	343	40	30	36	0	106	35	62	100	0	197	743
17:30	13	56	21	0	90	170	111	12	0	293	27	36	41	0	104	32	75	96	0	203	690
17:45	9	62	34	0	105	180	124	13	0	317	45	45	39	0	129	18	63	74	0	155	706
Total Volume	36	215	136	1	388	740	522	59	0	1321	151	145	163	0	459	118	273	362	0	753	2921
% App. Total	9.3	55.4	35.1	0.3		56	39.5	4.5	0		32.9	31.6	35.5	0		15.7	36.3	48.1	0		
PHF	.692	.867	.667	.250	.924	.898	.888	.670	.000	.897	.839	.806	.867	.000	.890	.843	.910	.905	.000	.927	.934

