

# Alliant Engineering, Inc.

733 Marquette Ave #700, Minneapolis, MN 55402

PCD & TH 212 N Ramp-Plaza  
 Ref Pt: 156+00.025  
 data by: Alliant Inc  
 TURN MOVEMENT COUNT

File Name : 25\_MNDOT\_PCD at TH 212 N Ramp-Plaza Dr  
 Site Code : 1736202  
 Start Date : 12/17/2020  
 Page No : 1

Groups Printed- Cars - Trucks

Start Time	Prairie Center Dr Southbound					Plaza Dr Westbound					Prairie Center Dr Northbound					TH 212 N Ramp Eastbound					Int. Total
	Right	Thru	Left	Peds	App. Total	Right	Thru	Left	Peds	App. Total	Right	Thru	Left	Peds	App. Total	Right	Thru	Left	Peds	App. Total	
06:00 AM	3	26	2	0	31	1	6	2	0	9	12	14	5	0	31	21	3	8	0	32	103
06:15 AM	4	20	0	0	24	1	3	10	0	14	12	8	4	0	24	43	8	7	0	58	120
06:30 AM	2	21	0	0	23	0	2	7	0	9	19	16	8	0	43	47	9	12	0	68	143
06:45 AM	4	23	0	0	27	4	6	9	0	19	24	23	11	0	58	58	8	7	0	73	177
Total	13	90	2	0	105	6	17	28	0	51	67	61	28	0	156	169	28	34	0	231	543
07:00 AM	5	17	0	0	22	6	6	6	0	18	27	24	9	0	60	21	5	8	0	34	134
07:15 AM	4	17	0	0	21	1	12	8	0	21	24	19	17	0	60	39	9	17	0	65	167
07:30 AM	9	26	0	0	35	2	13	20	0	35	25	33	31	0	89	39	17	10	0	66	225
07:45 AM	8	41	1	0	50	7	22	16	0	45	29	44	20	0	93	44	21	17	0	82	270
Total	26	101	1	0	128	16	53	50	0	119	105	120	77	0	302	143	52	52	0	247	796
08:00 AM	21	27	1	0	49	4	18	19	0	41	31	38	20	0	89	50	11	10	0	71	250
08:15 AM	8	27	1	0	36	8	14	19	0	41	26	41	37	0	104	52	11	11	0	74	255
08:30 AM	7	38	2	0	47	3	12	21	0	36	24	44	23	0	91	53	18	14	0	85	259
08:45 AM	12	47	3	0	62	5	19	18	0	42	42	51	24	0	117	64	19	10	0	93	314
Total	48	139	7	0	194	20	63	77	0	160	123	174	104	0	401	219	59	45	0	323	1078
09:00 AM	11	56	1	0	68	3	22	21	0	46	39	40	40	0	119	45	9	10	0	64	297
09:15 AM	14	69	1	0	84	6	14	28	0	48	37	62	37	0	136	62	13	11	0	86	354
*** BREAK ***																					
Total	25	125	2	0	152	9	36	49	0	94	76	102	77	0	255	107	22	21	0	150	651
*** BREAK ***																					
10:30 AM	15	79	5	0	99	13	33	30	0	76	53	77	72	0	202	52	15	10	0	77	454
10:45 AM	19	74	3	1	97	10	33	53	0	96	48	76	88	0	212	62	12	18	1	93	498
Total	34	153	8	1	196	23	66	83	0	172	101	153	160	0	414	114	27	28	1	170	952
11:00 AM	19	73	7	0	99	5	32	43	0	80	40	77	101	0	218	66	18	19	0	103	500
11:15 AM	16	84	2	0	102	12	33	39	0	84	47	80	123	0	250	75	13	18	0	106	542
11:30 AM	21	75	2	0	98	12	33	48	1	94	36	105	109	0	250	62	18	21	0	101	543
11:45 AM	27	82	8	0	117	10	35	41	0	86	68	98	128	0	294	72	21	24	0	117	614
Total	83	314	19	0	416	39	133	171	1	344	191	360	461	0	1012	275	70	82	0	427	2199
12:00 PM	13	90	3	0	106	13	36	46	0	95	56	105	166	0	327	81	24	22	0	127	655
12:15 PM	14	85	4	0	103	13	37	41	0	91	56	118	130	0	304	83	21	16	0	120	618
12:30 PM	27	82	1	0	110	12	44	50	0	106	47	122	136	0	305	81	21	24	0	126	647
12:45 PM	19	91	8	0	118	15	31	55	0	101	58	137	143	0	338	78	15	30	0	123	680
Total	73	348	16	0	437	53	148	192	0	393	217	482	575	0	1274	323	81	92	0	496	2600
01:00 PM	27	84	8	0	119	12	32	47	0	91	51	117	150	0	318	64	14	28	0	106	634
01:15 PM	29	83	6	0	118	16	34	51	0	101	73	125	157	0	355	92	15	15	0	122	696
*** BREAK ***																					
Total	56	167	14	0	237	28	66	98	0	192	124	242	307	0	673	156	29	43	0	228	1330
*** BREAK ***																					
02:30 PM	32	74	2	0	108	7	33	51	1	92	44	109	191	0	344	79	13	12	0	104	648
02:45 PM	21	97	4	0	122	8	50	59	1	118	50	97	215	0	362	87	21	15	0	123	725
Total	53	171	6	0	230	15	83	110	2	210	94	206	406	0	706	166	34	27	0	227	1373
03:00 PM	20	91	6	0	117	17	40	38	0	95	42	112	150	0	304	80	9	14	0	103	619
03:15 PM	19	75	2	0	96	7	31	43	1	82	48	114	165	0	327	111	11	18	0	140	645
03:30 PM	24	98	3	0	125	9	37	51	1	98	57	124	185	0	366	84	22	15	0	121	710
03:45 PM	37	86	4	0	127	13	33	43	0	89	46	126	193	0	365	71	16	27	0	114	695
Total	100	350	15	0	465	46	141	175	2	364	193	476	693	0	1362	346	58	74	0	478	2669
04:00 PM	27	92	7	0	126	16	32	45	0	93	63	98	195	0	356	77	18	12	0	107	682

# Alliant Engineering, Inc.

733 Marquette Ave #700, Minneapolis, MN 55402

PCD & TH 212 N Ramp-Plaza  
 Ref Pt: 156+00.025  
 data by: Alliant Inc  
 TURN MOVEMENT COUNT

File Name : 25\_MNDOT\_PCD at TH 212 N Ramp-Plaza Dr  
 Site Code : 1736202  
 Start Date : 12/17/2020  
 Page No : 2

Groups Printed- Cars - Trucks

Start Time	Prairie Center Dr Southbound					Plaza Dr Westbound					Prairie Center Dr Northbound					TH 212 N Ramp Eastbound					Int. Total
	Right	Thru	Left	Peds	App. Total	Right	Thru	Left	Peds	App. Total	Right	Thru	Left	Peds	App. Total	Right	Thru	Left	Peds	App. Total	
04:15 PM	21	80	2	0	103	10	38	46	0	94	47	119	194	0	360	78	31	17	0	126	683
04:30 PM	36	92	6	0	134	12	43	62	2	119	54	144	213	0	411	81	15	24	0	120	784
04:45 PM	33	72	4	0	109	15	51	51	1	118	52	113	195	0	360	89	20	19	0	128	715
Total	117	336	19	0	472	53	164	204	3	424	216	474	797	0	1487	325	84	72	0	481	2864
05:00 PM	23	92	6	0	121	11	37	47	0	95	37	136	206	0	379	70	16	15	0	101	696
05:15 PM	30	92	3	0	125	6	37	53	1	97	43	148	170	0	361	93	19	18	0	130	713
05:30 PM	21	85	2	0	108	8	42	48	0	98	38	101	191	0	330	60	19	27	0	106	642
05:45 PM	16	90	1	0	107	6	33	47	0	86	38	114	190	0	342	76	10	14	0	100	635
Total	90	359	12	0	461	31	149	195	1	376	156	499	757	0	1412	299	64	74	0	437	2686
Grand Total	718	2653	121	1	3493	339	1119	1432	9	2899	1663	3349	4442	0	9454	2642	608	644	1	3895	19741
Apprch %	20.6	76	3.5	0		11.7	38.6	49.4	0.3		17.6	35.4	47	0		67.8	15.6	16.5	0		
Total %	3.6	13.4	0.6	0	17.7	1.7	5.7	7.3	0	14.7	8.4	17	22.5	0	47.9	13.4	3.1	3.3	0	19.7	
Cars	700	2594	120	1	3415	327	1090	1408	9	2834	1639	3295	4399	0	9333	2573	585	608	1	3767	19349
% Cars	97.5	97.8	99.2	100	97.8	96.5	97.4	98.3	100	97.8	98.6	98.4	99	0	98.7	97.4	96.2	94.4	100	96.7	98
Trucks	18	59	1	0	78	12	29	24	0	65	24	54	43	0	121	69	23	36	0	128	392
% Trucks	2.5	2.2	0.8	0	2.2	3.5	2.6	1.7	0	2.2	1.4	1.6	1	0	1.3	2.6	3.8	5.6	0	3.3	2

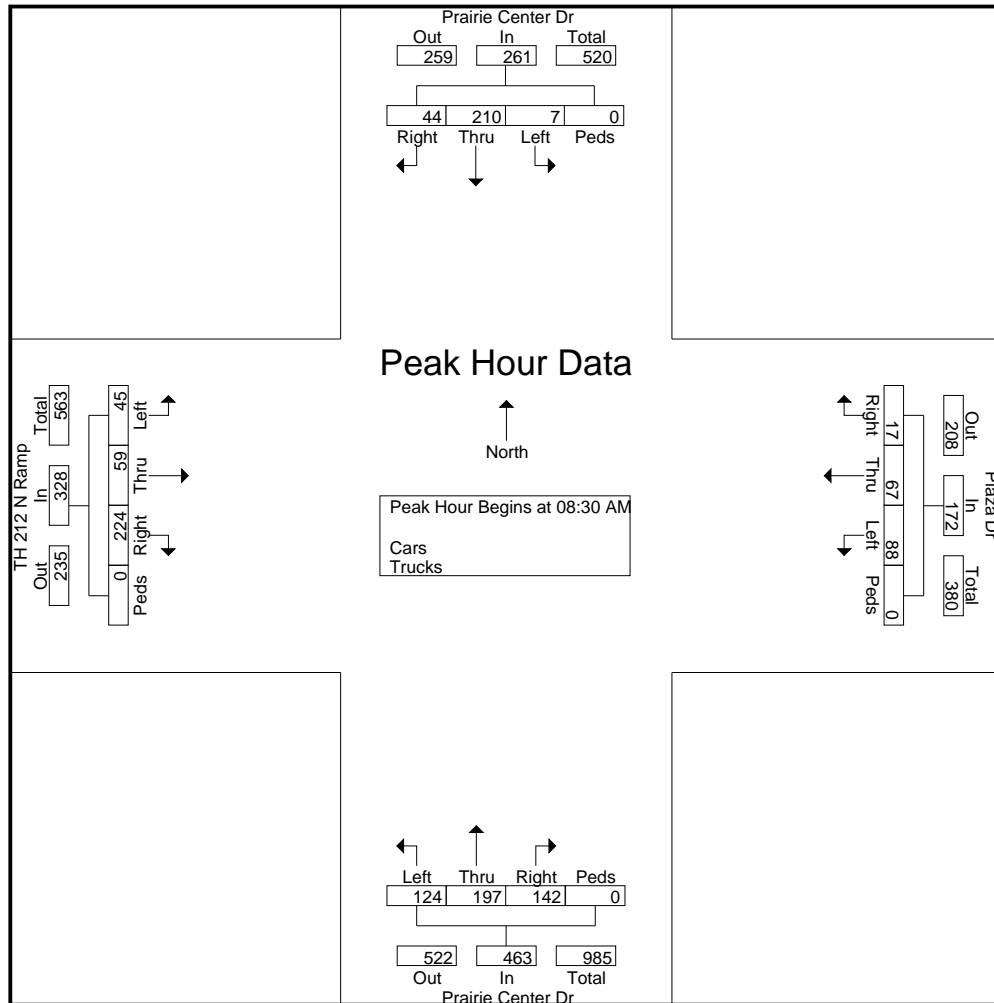
# Alliant Engineering, Inc.

733 Marquette Ave #700, Minneapolis, MN 55402

PCD & TH 212 N Ramp-Plaza  
 Ref Pt: 156+00.025  
 data by: Alliant Inc  
 TURN MOVEMENT COUNT

File Name : 25\_MNDOT\_PCD at TH 212 N Ramp-Plaza Dr  
 Site Code : 1736202  
 Start Date : 12/17/2020  
 Page No : 3

Start Time	Prairie Center Dr Southbound					Plaza Dr Westbound					Prairie Center Dr Northbound					TH 212 N Ramp Eastbound					Int. Total
	Right	Thru	Left	Peds	App. Total	Right	Thru	Left	Peds	App. Total	Right	Thru	Left	Peds	App. Total	Right	Thru	Left	Peds	App. Total	
Peak Hour Analysis From 06:00 AM to 09:45 AM - Peak 1 of 1																					
Peak Hour for Entire Intersection Begins at 08:30 AM																					
08:30 AM	7	38	2	0	47	3	12	21	0	36	24	44	23	0	91	53	18	14	0	85	259
08:45 AM	12	47	3	0	62	5	19	18	0	42	42	51	24	0	117	64	19	10	0	93	314
09:00 AM	11	56	1	0	68	3	22	21	0	46	39	40	40	0	119	45	9	10	0	64	297
09:15 AM	14	69	1	0	84	6	14	28	0	48	37	62	37	0	136	62	13	11	0	86	354
Total Volume	44	210	7	0	261	17	67	88	0	172	142	197	124	0	463	224	59	45	0	328	1224
% App. Total	16.9	80.5	2.7	0		9.9	39	51.2	0		30.7	42.5	26.8	0		68.3	18	13.7	0		
PHF	.786	.761	.583	.000	.777	.708	.761	.786	.000	.896	.845	.794	.775	.000	.851	.875	.776	.804	.000	.882	.864



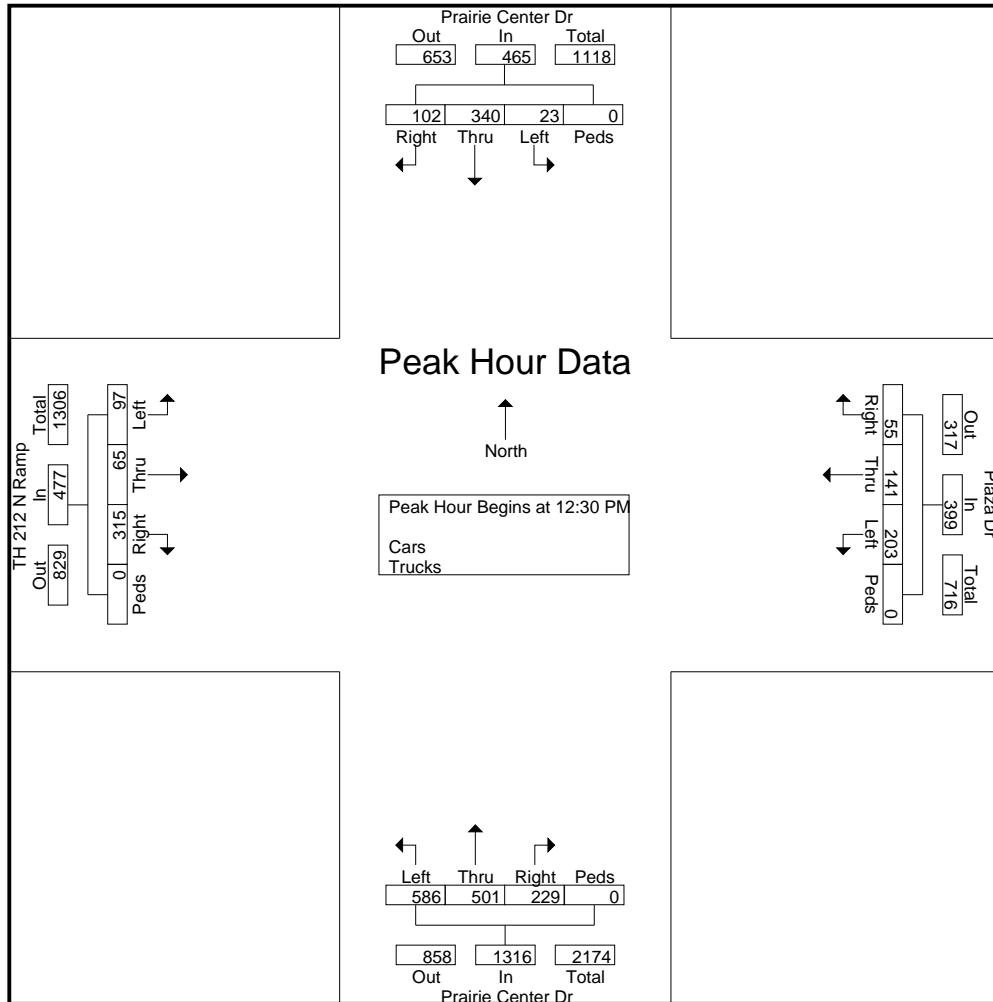
# Alliant Engineering, Inc.

733 Marquette Ave #700, Minneapolis, MN 55402

PCD & TH 212 N Ramp-Plaza  
 Ref Pt: 156+00.025  
 data by: Alliant Inc  
 TURN MOVEMENT COUNT

File Name : 25\_MNDOT\_PCD at TH 212 N Ramp-Plaza Dr  
 Site Code : 1736202  
 Start Date : 12/17/2020  
 Page No : 4

Start Time	Prairie Center Dr Southbound					Plaza Dr Westbound					Prairie Center Dr Northbound					TH 212 N Ramp Eastbound					Int. Total
	Right	Thru	Left	Peds	App. Total	Right	Thru	Left	Peds	App. Total	Right	Thru	Left	Peds	App. Total	Right	Thru	Left	Peds	App. Total	
Peak Hour Analysis From 10:00 AM to 01:45 PM - Peak 1 of 1																					
Peak Hour for Entire Intersection Begins at 12:30 PM																					
12:30 PM	27	82	1	0	110	12	44	50	0	106	47	122	136	0	305	81	21	24	0	126	647
12:45 PM	19	91	8	0	118	15	31	55	0	101	58	137	143	0	338	78	15	30	0	123	680
01:00 PM	27	84	8	0	119	12	32	47	0	91	51	117	150	0	318	64	14	28	0	106	634
01:15 PM	29	83	6	0	118	16	34	51	0	101	73	125	157	0	355	92	15	15	0	122	696
Total Volume	102	340	23	0	465	55	141	203	0	399	229	501	586	0	1316	315	65	97	0	477	2657
% App. Total	21.9	73.1	4.9	0		13.8	35.3	50.9	0		17.4	38.1	44.5	0		66	13.6	20.3	0		
PHF	.879	.934	.719	.000	.977	.859	.801	.923	.000	.941	.784	.914	.933	.000	.927	.856	.774	.808	.000	.946	.954



# Alliant Engineering, Inc.

733 Marquette Ave #700, Minneapolis, MN 55402

PCD & TH 212 N Ramp-Plaza  
 Ref Pt: 156+00.025  
 data by: Alliant Inc  
 TURN MOVEMENT COUNT

File Name : 25\_MNDOT\_PCD at TH 212 N Ramp-Plaza Dr  
 Site Code : 1736202  
 Start Date : 12/17/2020  
 Page No : 5

Start Time	Prairie Center Dr Southbound					Plaza Dr Westbound					Prairie Center Dr Northbound					TH 212 N Ramp Eastbound					Int. Total
	Right	Thru	Left	Peds	App. Total	Right	Thru	Left	Peds	App. Total	Right	Thru	Left	Peds	App. Total	Right	Thru	Left	Peds	App. Total	
Peak Hour Analysis From 02:00 PM to 05:45 PM - Peak 1 of 1																					
Peak Hour for Entire Intersection Begins at 04:30 PM																					
04:30 PM	36	92	6	0	134	12	43	62	2	119	54	144	213	0	411	81	15	24	0	120	784
04:45 PM	33	72	4	0	109	15	51	51	1	118	52	113	195	0	360	89	20	19	0	128	715
05:00 PM	23	92	6	0	121	11	37	47	0	95	37	136	206	0	379	70	16	15	0	101	696
05:15 PM	30	92	3	0	125	6	37	53	1	97	43	148	170	0	361	93	19	18	0	130	713
Total Volume	122	348	19	0	489	44	168	213	4	429	186	541	784	0	1511	333	70	76	0	479	2908
% App. Total	24.9	71.2	3.9	0		10.3	39.2	49.7	0.9		12.3	35.8	51.9	0		69.5	14.6	15.9	0		
PHF	.847	.946	.792	.000	.912	.733	.824	.859	.500	.901	.861	.914	.920	.000	.919	.895	.875	.792	.000	.921	.927

