

Albeck Gerken, Inc

Transportation Engineers

Traffic Data Collection

TH-212 at I-494 (S ramp) /Technology Dr

Counted By: Sue and Doretha

Data by: Allbeck Gerken Inc -Sue/Doretha

TURN MOVEMENT COUNT

File Name : TH-212 at I-494 S ramp 2004

Site Code : 00000000

Start Date : 12/9/2004

Page No : 1

Groups Printed- Unshifted

Start Time	TH-212 / Flying Cloud Drive Southbound				ramp to EB I-494 Westbound				TH-212 / Flying Cloud Drive Northbound				Technology Drive Eastbound				Int. Total
	Left	Thru	Right	Peds	Left	Thru	Right	Peds	Left	Thru	Right	Peds	Left	Thru	Right	Peds	
06:30	6	132	27	0	0	0	0	0	7	228	63	0	1	4	8	0	476
06:45	5	149	20	0	0	0	0	0	10	291	71	0	10	5	10	0	571
Total	11	281	47	0	0	0	0	0	17	519	134	0	11	9	18	0	1047
07:00	5	127	40	0	0	0	0	0	15	258	88	0	5	10	20	0	568
07:15	6	186	29	0	0	0	0	0	12	349	74	0	5	20	18	1	700
07:30	7	195	25	0	0	0	0	0	25	316	50	0	9	20	31	0	678
07:45	6	199	49	0	0	0	0	0	24	346	53	0	9	17	37	0	740
Total	24	707	143	0	0	0	0	0	76	1269	265	0	28	67	106	1	2686
08:00	8	167	27	0	0	0	0	0	18	282	64	0	3	14	21	0	604
08:15	8	192	33	0	0	0	0	0	24	259	53	0	10	13	22	0	614
*** BREAK ***																	
Total	16	359	60	0	0	0	0	0	42	541	117	0	13	27	43	0	1218
*** BREAK ***																	
16:00	10	351	13	0	0	0	0	0	29	184	54	0	13	27	52	0	733
16:15	4	308	16	0	0	0	0	0	26	181	51	0	11	19	34	0	650
16:30	7	387	12	0	0	0	0	0	38	184	46	0	16	22	52	0	764
16:45	2	370	25	0	0	0	0	0	22	164	49	0	11	20	48	0	711
Total	23	1416	66	0	0	0	0	0	115	713	200	0	51	88	186	0	2858
17:00	5	411	14	0	0	0	0	0	36	244	47	0	14	13	78	0	862
17:15	9	423	20	0	0	0	0	0	32	188	33	0	16	11	72	0	804
17:30	5	375	10	0	0	0	0	0	37	172	44	0	10	4	60	0	717
17:45	2	351	26	0	0	0	0	0	28	159	51	0	10	4	61	0	692
Total	21	1560	70	0	0	0	0	0	133	763	175	0	50	32	271	0	3075
Grand Total	95	4323	386	0	0	0	0	0	383	3805	891	0	153	223	624	1	10884
Apprch %	2	90	8	0	0	0	0	0	7.5	74.9	17.5	0	15.3	22.3	62.3	0.1	
Total %	0.9	39.7	3.5	0	0	0	0	0	3.5	35	8.2	0	1.4	2	5.7	0	

Albeck Gerken, Inc

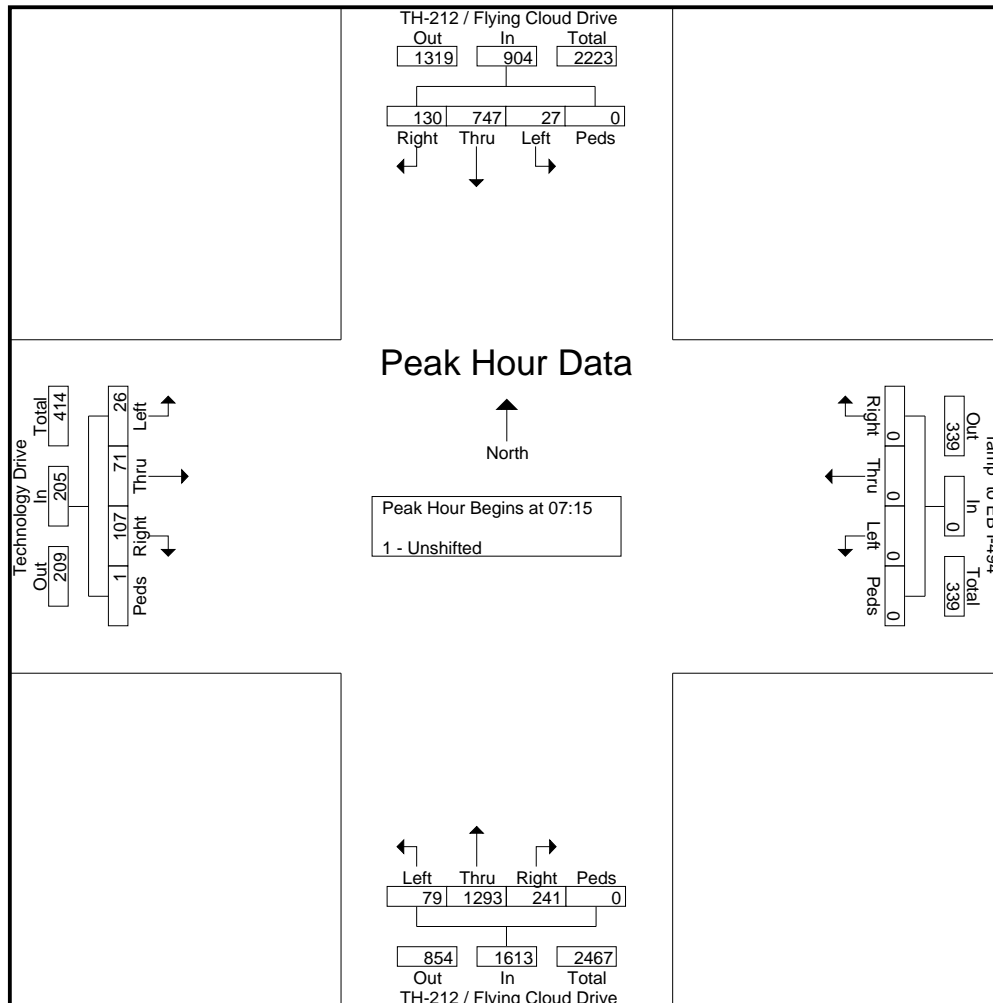
Transportation Engineers

Traffic Data Collection

TH-212 at I-494 (S ramp) /Technology Dr
 Counted By: Sue and Doretha
 Data by: Allbeck Gerken Inc -Sue/Doretha
 TURN MOVEMENT COUNT

File Name : TH-212 at I-494 S ramp 2004
 Site Code : 00000000
 Start Date : 12/9/2004
 Page No : 2

	TH-212 / Flying Cloud Drive Southbound					ramp to EB I-494 Westbound					TH-212 / Flying Cloud Drive Northbound					Technology Drive Eastbound					
Start Time	Left	Thru	Right	Peds	App. Total	Left	Thru	Right	Peds	App. Total	Left	Thru	Right	Peds	App. Total	Left	Thru	Right	Peds	App. Total	Int. Total
Peak Hour Analysis From 06:30 to 08:15 - Peak 1 of 1																					
Peak Hour for Entire Intersection Begins at 07:15																					
07:15	6	186	29	0	221	0	0	0	0	0	12	349	74	0	435	5	20	18	1	44	700
07:30	7	195	25	0	227	0	0	0	0	0	25	316	50	0	391	9	20	31	0	60	678
07:45	6	199	49	0	254	0	0	0	0	0	24	346	53	0	423	9	17	37	0	63	740
08:00	8	167	27	0	202	0	0	0	0	0	18	282	64	0	364	3	14	21	0	38	604
Total Volume	27	747	130	0	904	0	0	0	0	0	79	1293	241	0	1613	26	71	107	1	205	2722
% App. Total	3	82.6	14.4	0		0	0	0	0		4.9	80.2	14.9	0		12.7	34.6	52.2	0.5		
PHF	.844	.938	.663	.000	.890	.000	.000	.000	.000	.000	.790	.926	.814	.000	.927	.722	.888	.723	.250	.813	.920



Albeck Gerken, Inc

Transportation Engineers

Traffic Data Collection

TH-212 at I-494 (S ramp) /Technology Dr

Counted By: Sue and Doretha

Data by: Allbeck Gerken Inc -Sue/Doretha

TURN MOVEMENT COUNT

File Name : TH-212 at I-494 S ramp 2004

Site Code : 00000000

Start Date : 12/9/2004

Page No : 3

Start Time	TH-212 / Flying Cloud Drive Southbound					ramp to EB I-494 Westbound					TH-212 / Flying Cloud Drive Northbound					Technology Drive Eastbound					Int. Total
	Left	Thru	Right	Peds	App. Total	Left	Thru	Right	Peds	App. Total	Left	Thru	Right	Peds	App. Total	Left	Thru	Right	Peds	App. Total	
Peak Hour Analysis From 16:00 to 17:45 - Peak 1 of 1																					
Peak Hour for Entire Intersection Begins at 16:30																					
16:30	7	387	12	0	406	0	0	0	0	0	38	184	46	0	268	16	22	52	0	90	764
16:45	2	370	25	0	397	0	0	0	0	0	22	164	49	0	235	11	20	48	0	79	711
17:00	5	411	14	0	430	0	0	0	0	0	36	244	47	0	327	14	13	78	0	105	862
17:15	9	423	20	0	452	0	0	0	0	0	32	188	33	0	253	16	11	72	0	99	804
Total Volume	23	1591	71	0	1685	0	0	0	0	0	128	780	175	0	1083	57	66	250	0	373	3141
% App. Total	1.4	94.4	4.2	0		0	0	0	0	0	11.8	72	16.2	0		15.3	17.7	67	0		
PHF	.639	.940	.710	.000	.932	.000	.000	.000	.000	.000	.842	.799	.893	.000	.828	.891	.750	.801	.000	.888	.911

