



# MINNESOTA DEPT OF TRANSPORTATION

## TRAFFIC DATA COLLECTION - METRO

TH-3 at Rich Valley Blvd / CSAH-71

Ref.Pt.: 039.079

JAMAR # T-2638 CAH

TURN MOVEMENT COUNT

File Name : TH-3 at Rich Valley Blvd CSAH-71 2010

Site Code : 00000000

Start Date : 10/14/2010

Page No : 1

### Groups Printed- Cars & Trucks

Start Time	TH-3 Southbound				RICH VALLEY BLVD / CSAH-71 Westbound				TH-3 Northbound				RICH VALLEY BLVD / CSAH-71 Eastbound				Int. Total
	Left	Thru	Right	Peds	Left	Thru	Right	Peds	Left	Thru	Right	Peds	Left	Thru	Right	Peds	
06:00	1	8	9	0	1	13	2	0	0	25	0	1	3	5	0	0	68
06:15	1	17	4	0	2	12	10	0	0	42	0	0	3	8	0	0	99
06:30	4	27	10	0	5	9	7	0	0	52	1	0	4	4	0	0	123
06:45	2	39	4	0	3	13	17	1	0	77	2	0	5	11	0	0	174
Total	8	91	27	0	11	47	36	1	0	196	3	1	15	28	0	0	464
07:00	8	29	2	0	1	20	23	0	0	91	0	0	7	5	3	0	189
07:15	1	36	9	0	1	15	17	0	0	121	3	0	7	6	2	0	218
07:30	2	35	5	0	3	20	38	0	0	122	1	0	11	5	0	0	242
07:45	5	35	8	0	2	27	20	0	1	111	0	0	6	4	0	0	219
Total	16	135	24	0	7	82	98	0	1	445	4	0	31	20	5	0	868
08:00	6	44	11	0	2	19	8	0	4	75	2	0	10	6	4	0	191
08:15	6	28	3	0	1	8	11	0	2	75	2	0	9	5	1	4	155
08:30	2	31	3	0	3	10	15	0	0	65	2	0	10	4	1	0	146
08:45	4	34	5	0	2	13	7	0	0	60	0	0	4	2	0	0	131
Total	18	137	22	0	8	50	41	0	6	275	6	0	33	17	6	4	623
*** BREAK ***																	
15:00	7	51	5	0	2	7	9	0	3	45	1	0	14	15	1	0	160
15:15	12	75	6	0	2	8	8	0	0	31	6	0	8	11	4	0	171
15:30	6	83	5	0	5	12	10	0	0	56	3	0	4	20	0	0	204
15:45	9	57	7	0	0	13	9	0	1	52	4	0	9	14	1	0	176
Total	34	266	23	0	9	40	36	0	4	184	14	0	35	60	6	0	711
16:00	12	88	4	0	2	10	5	0	2	63	1	0	9	17	0	0	213
16:15	6	116	8	0	0	9	6	0	0	46	6	0	8	22	0	0	227
16:30	6	92	6	0	8	2	6	1	1	39	6	0	3	21	4	0	195
16:45	15	117	10	0	4	8	13	0	1	38	3	0	6	27	1	0	243
Total	39	413	28	0	14	29	30	1	4	186	16	0	26	87	5	0	878
17:00	11	126	8	0	3	6	8	0	0	61	6	0	7	17	1	0	254
17:15	17	117	15	0	1	3	4	0	1	56	2	0	9	15	1	0	241
17:30	20	111	12	0	5	8	16	0	1	46	2	0	5	17	2	0	245
17:45	11	77	8	0	1	9	8	0	1	51	5	0	4	14	0	1	190
Total	59	431	43	0	10	26	36	0	3	214	15	0	25	63	4	1	930
Grand Total	174	1473	167	0	59	274	277	2	18	1500	58	1	165	275	26	5	4474
Apprch %	9.6	81.2	9.2	0	9.6	44.8	45.3	0.3	1.1	95.1	3.7	0.1	35	58.4	5.5	1.1	
Total %	3.9	32.9	3.7	0	1.3	6.1	6.2	0	0.4	33.5	1.3	0	3.7	6.1	0.6	0.1	



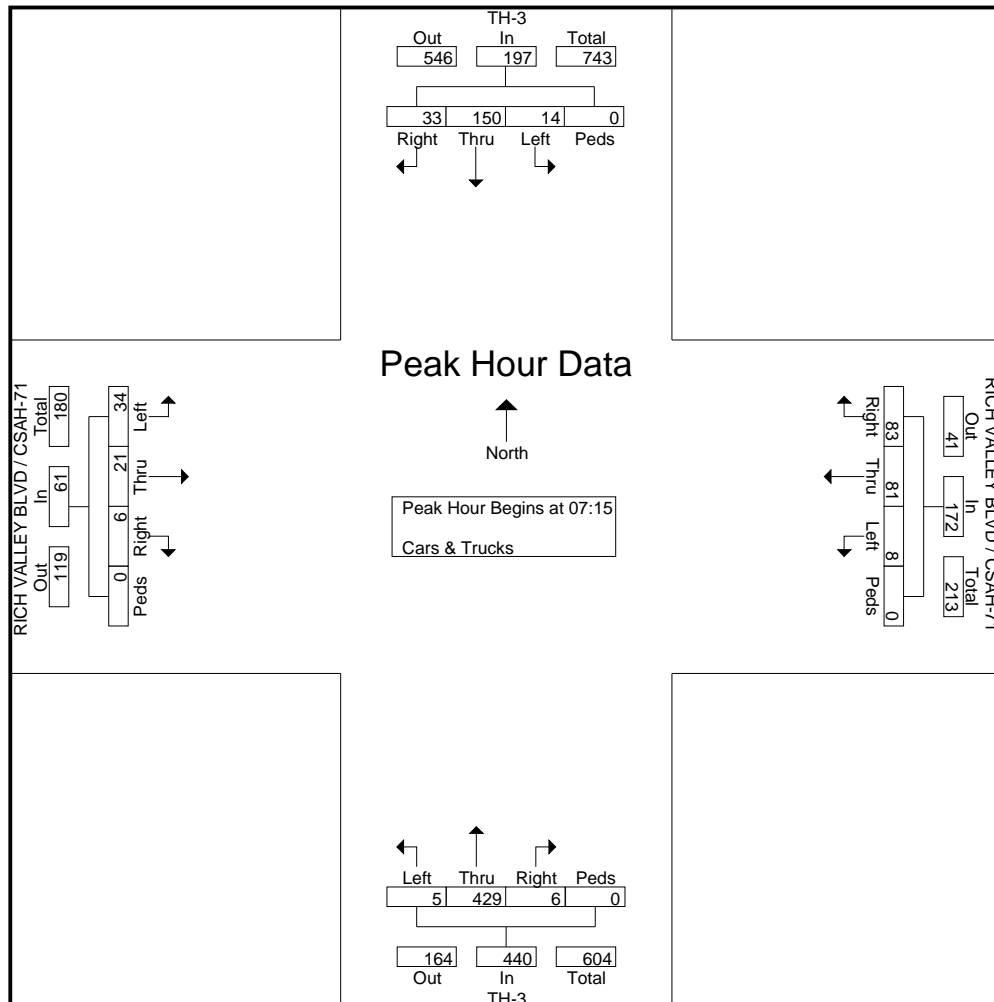
# MINNESOTA DEPT OF TRANSPORTATION

## TRAFFIC DATA COLLECTION - METRO

TH-3 at Rich Valley Blvd / CSAH-71  
 Ref.Pt.: 039.079  
 JAMAR # T-2638 CAH  
 TURN MOVEMENT COUNT

File Name : TH-3 at Rich Valley Blvd CSAH-71 2010  
 Site Code : 00000000  
 Start Date : 10/14/2010  
 Page No : 2

Start Time	TH-3 Southbound					RICH VALLEY BLVD / CSAH-71 Westbound					TH-3 Northbound					RICH VALLEY BLVD / CSAH-71 Eastbound					Int. Total
	Left	Thru	Right	Peds	App. Total	Left	Thru	Right	Peds	App. Total	Left	Thru	Right	Peds	App. Total	Left	Thru	Right	Peds	App. Total	
Peak Hour Analysis From 06:00 to 08:45 - Peak 1 of 1																					
Peak Hour for Entire Intersection Begins at 07:15																					
07:15	1	36	9	0	46	1	15	17	0	33	0	121	3	0	124	7	6	2	0	15	218
07:30	2	35	5	0	42	3	20	38	0	61	0	122	1	0	123	11	5	0	0	16	242
07:45	5	35	8	0	48	2	27	20	0	49	1	111	0	0	112	6	4	0	0	10	219
08:00	6	44	11	0	61	2	19	8	0	29	4	75	2	0	81	10	6	4	0	20	191
Total Volume	14	150	33	0	197	8	81	83	0	172	5	429	6	0	440	34	21	6	0	61	870
% App. Total	7.1	76.1	16.8	0		4.7	47.1	48.3	0		1.1	97.5	1.4	0		55.7	34.4	9.8	0		
PHF	.583	.852	.750	.000	.807	.667	.750	.546	.000	.705	.313	.879	.500	.000	.887	.773	.875	.375	.000	.763	.899





# MINNESOTA DEPT OF TRANSPORTATION

## TRAFFIC DATA COLLECTION - METRO

TH-3 at Rich Valley Blvd / CSAH-71  
 Ref.Pt.: 039.079  
 JAMAR # T-2638 CAH  
 TURN MOVEMENT COUNT

File Name : TH-3 at Rich Valley Blvd CSAH-71 2010  
 Site Code : 00000000  
 Start Date : 10/14/2010  
 Page No : 3

Start Time	TH-3 Southbound					RICH VALLEY BLVD / CSAH-71 Westbound					TH-3 Northbound					RICH VALLEY BLVD / CSAH-71 Eastbound					Int. Total
	Left	Thru	Right	Peds	App. Total	Left	Thru	Right	Peds	App. Total	Left	Thru	Right	Peds	App. Total	Left	Thru	Right	Peds	App. Total	
16:45	15	117	10	0	142	4	8	13	0	25	1	38	3	0	42	6	27	1	0	34	243
17:00	11	126	8	0	145	3	6	8	0	17	0	61	6	0	67	7	17	1	0	25	254
17:15	17	117	15	0	149	1	3	4	0	8	1	56	2	0	59	9	15	1	0	25	241
17:30	20	111	12	0	143	5	8	16	0	29	1	46	2	0	49	5	17	2	0	24	245
Total Volume	63	471	45	0	579	13	25	41	0	79	3	201	13	0	217	27	76	5	0	108	983
% App. Total	10.9	81.3	7.8	0		16.5	31.6	51.9	0		1.4	92.6	6	0		25	70.4	4.6	0		
PHF	.788	.935	.750	.000	.971	.650	.781	.641	.000	.681	.750	.824	.542	.000	.810	.750	.704	.625	.000	.794	.968

Peak Hour Analysis From 15:00 to 17:45 - Peak 1 of 1  
 Peak Hour for Entire Intersection Begins at 16:45

