



MINNESOTA DEPT OF TRANSPORTATION

TRAFFIC COLLECTION - METRO

Location: TH-952 AT MARIE AVE.
 Reference Pt. 127+00.438
 JAMAR#632\DR
 TURN MOVEMENT COUNT

File Name : TH-952 AT MARIE AVE 2006
 Site Code : 00000000
 Start Date : 6/28/2006
 Page No : 1

Groups Printed- Cars & Trucks

Start Time	TH 952 Southbound				MARIE AVE Westbound				TH 952 Northbound				MARIE AVE Eastbound				Int. Total
	Right	Thru	Left	Peds	Right	Thru	Left	Peds	Right	Thru	Left	Peds	Right	Thru	Left	Peds	
06:00	0	28	1	0	0	2	3	0	5	35	2	0	1	1	3	0	81
06:15	7	52	2	0	8	5	2	0	1	59	1	0	6	7	11	0	161
06:30	5	68	9	0	5	4	5	0	10	67	4	0	7	4	8	0	196
06:45	6	58	4	0	5	10	13	0	10	81	2	0	8	5	13	0	215
Total	18	206	16	0	18	21	23	0	26	242	9	0	22	17	35	0	653
07:00	8	70	2	0	9	9	6	0	4	68	4	0	26	9	11	0	226
07:15	5	72	3	0	10	11	7	0	9	106	9	0	16	8	17	0	273
07:30	4	93	4	0	10	5	8	0	9	108	6	0	21	11	19	0	298
07:45	17	103	5	0	6	10	9	0	10	110	8	0	23	20	23	0	344
Total	34	338	14	0	35	35	30	0	32	392	27	0	86	48	70	0	1141
08:00	9	70	16	0	18	9	8	0	8	124	9	0	12	14	23	0	320
08:15	23	122	8	0	9	14	4	0	8	90	9	0	16	13	28	0	344
08:30	14	87	7	0	12	6	5	0	5	155	13	0	21	8	27	0	360
08:45	15	127	5	0	13	17	12	0	9	120	7	0	33	7	17	0	382
Total	61	406	36	0	52	46	29	0	30	489	38	0	82	42	95	0	1406
15:00	21	205	17	0	17	18	24	0	14	171	11	0	18	15	37	0	568
15:15	29	200	25	0	16	12	21	0	15	221	13	0	32	17	39	0	640
15:30	21	198	16	0	19	21	14	0	10	191	16	0	36	20	44	0	606
15:45	15	223	14	0	15	27	12	0	14	187	11	0	27	26	34	0	605
Total	86	826	72	0	67	78	71	0	53	770	51	0	113	78	154	0	2419
16:00	24	175	24	0	17	14	23	0	10	194	8	0	28	17	38	0	572
16:15	19	224	20	0	13	24	13	0	9	243	13	0	38	20	39	0	675
16:30	27	202	16	0	19	15	20	0	11	224	17	0	29	28	60	0	668
16:45	22	228	13	0	29	27	19	0	12	220	14	0	36	32	43	1	696
Total	92	829	73	0	78	80	75	0	42	881	52	0	131	97	180	1	2611
17:00	23	235	21	0	24	32	20	0	7	208	23	0	29	36	44	0	702
17:15	21	220	16	0	20	16	13	0	18	221	11	0	34	33	50	0	673
17:30	26	259	19	0	18	26	20	0	14	174	15	0	38	32	46	0	687
17:45	28	218	18	0	16	20	18	0	11	235	13	0	27	34	43	0	681
Total	98	932	74	0	78	94	71	0	50	838	62	0	128	135	183	0	2743
Grand Total	389	3537	285	0	328	354	299	0	233	3612	239	0	562	417	717	1	10973
Apprch %	9.2	84	6.8	0	33.4	36.1	30.5	0	5.7	88.4	5.9	0	33.1	24.6	42.3	0.1	
Total %	3.5	32.2	2.6	0	3	3.2	2.7	0	2.1	32.9	2.2	0	5.1	3.8	6.5	0	



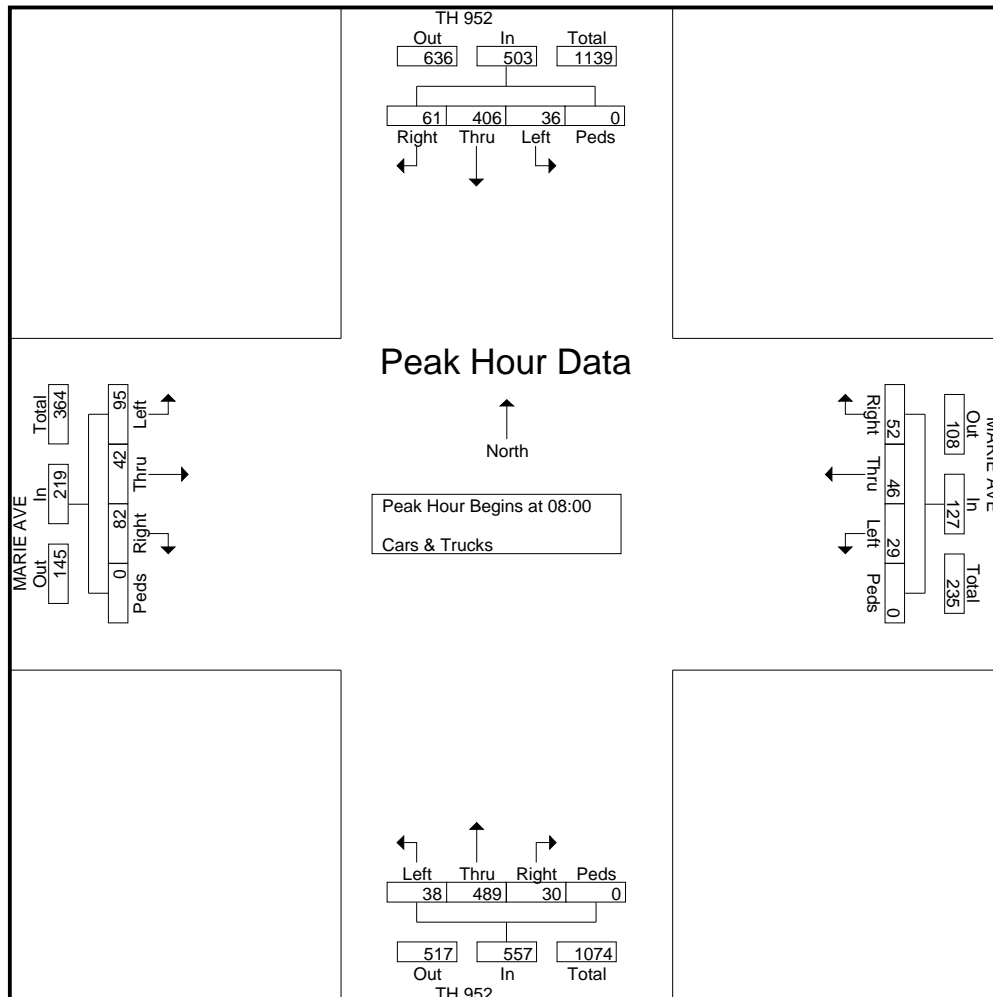
MINNESOTA DEPT OF TRANSPORTATION

TRAFFIC COLLECTION - METRO

Location: TH-952 AT MARIE AVE.
 Reference Pt. 127+00.438
 JAMAR#632\DR
 TURN MOVEMENT COUNT

File Name : TH-952 AT MARIE AVE 2006
 Site Code : 00000000
 Start Date : 6/28/2006
 Page No : 2

Start Time	TH 952 Southbound					MARIE AVE Westbound					TH 952 Northbound					MARIE AVE Eastbound					Int. Total
	Right	Thru	Left	Peds	App. Total	Right	Thru	Left	Peds	App. Total	Right	Thru	Left	Peds	App. Total	Right	Thru	Left	Peds	App. Total	
Peak Hour Analysis From 06:00 to 08:45 - Peak 1 of 1																					
Peak Hour for Entire Intersection Begins at 08:00																					
08:00	9	70	16	0	95	18	9	8	0	35	8	124	9	0	141	12	14	23	0	49	320
08:15	23	122	8	0	153	9	14	4	0	27	8	90	9	0	107	16	13	28	0	57	344
08:30	14	87	7	0	108	12	6	5	0	23	5	155	13	0	173	21	8	27	0	56	360
08:45	15	127	5	0	147	13	17	12	0	42	9	120	7	0	136	33	7	17	0	57	382
Total Volume	61	406	36	0	503	52	46	29	0	127	30	489	38	0	557	82	42	95	0	219	1406
% App. Total	12.1	80.7	7.2	0		40.9	36.2	22.8	0		5.4	87.8	6.8	0		37.4	19.2	43.4	0		
PHF	.663	.799	.563	.000	.822	.722	.676	.604	.000	.756	.833	.789	.731	.000	.805	.621	.750	.848	.000	.961	.920





MINNESOTA DEPT OF TRANSPORTATION

TRAFFIC COLLECTION - METRO

Location: TH-952 AT MARIE AVE.
 Reference Pt. 127+00.438
 JAMAR#632\DR
 TURN MOVEMENT COUNT

File Name : TH-952 AT MARIE AVE 2006
 Site Code : 00000000
 Start Date : 6/28/2006
 Page No : 3

Start Time	TH 952 Southbound					MARIE AVE Westbound					TH 952 Northbound					MARIE AVE Eastbound					Int. Total
	Right	Thru	Left	Peds	App. Total	Right	Thru	Left	Peds	App. Total	Right	Thru	Left	Peds	App. Total	Right	Thru	Left	Peds	App. Total	
Peak Hour Analysis From 15:00 to 17:45 - Peak 1 of 1																					
Peak Hour for Entire Intersection Begins at 16:45																					
16:45	22	228	13	0	263	29	27	19	0	75	12	220	14	0	246	36	32	43	1	112	696
17:00	23	235	21	0	279	24	32	20	0	76	7	208	23	0	238	29	36	44	0	109	702
17:15	21	220	16	0	257	20	16	13	0	49	18	221	11	0	250	34	33	50	0	117	673
17:30	26	259	19	0	304	18	26	20	0	64	14	174	15	0	203	38	32	46	0	116	687
Total Volume	92	942	69	0	1103	91	101	72	0	264	51	823	63	0	937	137	133	183	1	454	2758
% App. Total	8.3	85.4	6.3	0		34.5	38.3	27.3	0		5.4	87.8	6.7	0		30.2	29.3	40.3	0.2		
PHF	.885	.909	.821	.000	.907	.784	.789	.900	.000	.868	.708	.931	.685	.000	.937	.901	.924	.915	.250	.970	.982

