

Alliant Engineering, Inc

233 Park Ave Suite 300
 Minneapolis, MN 55415

--TRAFFIC DATA --

TH-36 at Washington Avenue
 Ref.Pt.: 18.906
 data by : Alliant Inc.
 TURN MOVEMENT COUNT

File Name : 303_TH 36 & Washington Ave
 Site Code : 303
 Start Date : 11/14/2017
 Page No : 1

Groups Printed- Vehicles - Trucks

Start Time	Washington Ave From North				TH 36 From East				Washington Ave From South				TH 36 From West				Int. Total
	Other	Left	Thru	Rght	Other	Left	Thru	Rght	Other	Left	Thru	Rght	Other	Left	Thru	Rght	
06:00 AM	0	5	5	13	0	13	255	7	0	11	0	1	0	11	96	19	436
06:15 AM	0	4	15	16	0	34	404	16	0	4	2	0	0	12	128	22	657
06:30 AM	0	4	7	12	0	26	334	8	0	5	10	3	0	25	157	23	614
06:45 AM	0	10	15	12	0	22	395	20	0	13	7	1	0	37	205	33	770
Total	0	23	42	53	0	95	1388	51	0	33	19	5	0	85	586	97	2477
07:00 AM	0	7	24	33	0	30	431	19	1	17	8	6	0	25	190	19	810
07:15 AM	0	12	46	10	0	48	366	19	0	14	18	5	0	39	249	39	865
07:30 AM	0	10	16	10	0	20	352	16	0	25	23	9	0	32	280	32	825
07:45 AM	0	11	22	10	0	39	273	25	0	25	18	9	0	37	275	47	791
Total	0	40	108	63	0	137	1422	79	1	81	67	29	0	133	994	137	3291
08:00 AM	0	17	22	13	0	41	221	27	0	15	15	6	0	48	217	24	666
08:15 AM	0	12	26	26	0	44	271	19	0	11	21	11	0	42	224	20	727
08:30 AM	0	18	24	16	0	50	233	19	0	15	18	1	0	48	224	23	689
08:45 AM	0	24	34	21	0	59	195	21	0	18	15	5	0	51	221	44	708
Total	0	71	106	76	0	194	920	86	0	59	69	23	0	189	886	111	2790
09:00 AM	0	21	23	14	0	47	198	17	1	10	25	4	0	41	163	56	620
09:15 AM	0	25	46	22	0	57	151	19	0	25	23	6	0	46	151	35	606
*** BREAK ***																	
Total	0	46	69	36	0	104	349	36	1	35	48	10	0	87	314	91	1226
*** BREAK ***																	
10:30 AM	0	20	57	36	0	40	178	23	1	31	49	26	0	33	144	42	680
10:45 AM	0	23	63	28	0	51	144	17	0	35	46	40	0	34	162	48	691
Total	0	43	120	64	0	91	322	40	1	66	95	66	0	67	306	90	1371
11:00 AM	0	27	53	30	0	63	157	17	0	39	48	27	0	29	143	44	677
11:15 AM	0	29	68	19	0	56	182	28	0	30	58	32	0	44	166	51	763
11:30 AM	0	37	58	33	0	56	173	28	0	33	54	42	0	37	158	61	770
11:45 AM	0	34	82	20	0	87	127	27	0	43	57	50	0	29	163	57	776
Total	0	127	261	102	0	262	639	100	0	145	217	151	0	139	630	213	2986
12:00 PM	0	35	81	26	0	61	176	57	0	38	47	41	0	28	160	63	813
12:15 PM	0	42	78	31	0	54	183	21	0	53	61	56	0	24	144	54	801
12:30 PM	0	38	72	31	0	58	162	39	0	40	69	35	0	27	221	61	853
12:45 PM	0	31	63	31	0	63	158	32	0	42	62	53	0	26	185	54	800
Total	0	146	294	119	0	236	679	149	0	173	239	185	0	105	710	232	3267
01:00 PM	0	39	62	42	0	57	137	35	0	35	61	44	0	39	189	54	794
01:15 PM	0	28	79	24	0	46	170	30	0	35	70	31	0	35	184	53	785
*** BREAK ***																	
Total	0	67	141	66	0	103	307	65	0	70	131	75	0	74	373	107	1579
*** BREAK ***																	
02:30 PM	0	42	72	34	0	44	223	27	0	47	64	38	0	25	235	49	900
02:45 PM	0	34	62	30	0	59	201	36	0	55	51	33	0	41	282	53	937
Total	0	76	134	64	0	103	424	63	0	102	115	71	0	66	517	102	1837
03:00 PM	0	31	69	32	0	32	225	39	0	35	48	40	0	47	249	66	913
03:15 PM	0	38	40	38	0	56	208	36	0	57	46	51	0	40	306	77	993
03:30 PM	0	38	65	44	0	46	250	27	0	42	62	27	0	51	370	89	1111
03:45 PM	0	36	54	35	0	51	246	34	0	39	53	35	0	35	386	54	1058
Total	0	143	228	149	0	185	929	136	0	173	209	153	0	173	1311	286	4075
04:00 PM	0	31	51	52	0	52	216	24	0	52	55	30	0	46	330	65	1004
04:15 PM	0	64	64	24	0	44	219	41	0	42	62	43	0	42	311	43	999
04:30 PM	0	61	49	68	0	41	255	25	0	48	44	30	0	64	333	75	1093
04:45 PM	0	49	51	57	0	60	241	33	0	44	42	44	0	52	346	86	1105
Total	0	205	215	201	0	197	931	123	0	186	203	147	0	204	1320	269	4201

Alliant Engineering, Inc

233 Park Ave Suite 300

Minneapolis, MN 55415

--TRAFFIC DATA --

TH-36 at Washington Avenue

Ref.Pt.: 18.906

data by : Alliant Inc.

TURN MOVEMENT COUNT

File Name : 303_TH 36 & Washington Ave

Site Code : 303

Start Date : 11/14/2017

Page No : 2

Groups Printed- Vehicles - Trucks

Start Time	Washington Ave From North				TH 36 From East				Washington Ave From South				TH 36 From West				Int. Total
	Other	Left	Thru	Rght	Other	Left	Thru	Rght	Other	Left	Thru	Rght	Other	Left	Thru	Rght	
05:00 PM	0	58	42	50	0	39	199	28	0	61	52	38	0	39	222	60	888
05:15 PM	0	69	86	89	0	52	198	19	0	45	47	29	0	63	387	69	1153
05:30 PM	0	56	78	88	0	35	189	19	0	42	50	32	0	39	279	57	964
05:45 PM	0	46	80	43	0	50	170	20	0	39	56	33	0	46	326	74	983
Total	0	229	286	270	0	176	756	86	0	187	205	132	0	187	1214	260	3988
Grand Total	0	1216	2004	1263	0	1883	9066	1014	3	1310	1617	1047	0	1509	9161	1995	33088
Apprch %	0	27.1	44.7	28.2	0	15.7	75.8	8.5	0.1	32.9	40.7	26.3	0	11.9	72.3	15.8	
Total %	0	3.7	6.1	3.8	0	5.7	27.4	3.1	0	4	4.9	3.2	0	4.6	27.7	6	
Vehicles	0	1202	1989	1242	0	1856	8595	996	3	1283	1597	1032	0	1484	8811	1971	32061
% Vehicles	0	98.8	99.3	98.3	0	98.6	94.8	98.2	100	97.9	98.8	98.6	0	98.3	96.2	98.8	96.9
Trucks	0	14	15	21	0	27	471	18	0	27	20	15	0	25	350	24	1027
% Trucks	0	1.2	0.7	1.7	0	1.4	5.2	1.8	0	2.1	1.2	1.4	0	1.7	3.8	1.2	3.1

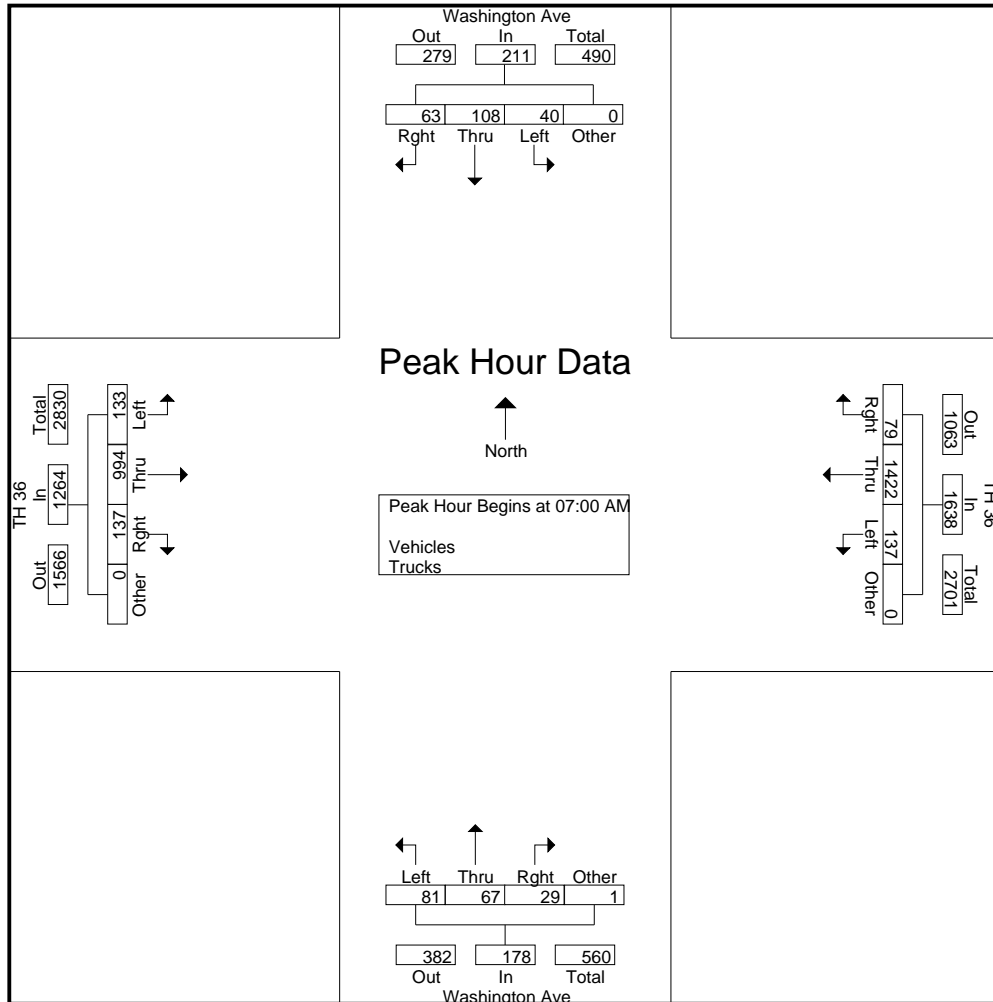
Alliant Engineering, Inc

233 Park Ave Suite 300
 Minneapolis, MN 55415
 --TRAFFIC DATA --

TH-36 at Washington Avenue
 Ref.Pt.: 18.906
 data by : Alliant Inc.
 TURN MOVEMENT COUNT

File Name : 303_TH 36 & Washington Ave
 Site Code : 303
 Start Date : 11/14/2017
 Page No : 3

Start Time	Washington Ave From North					TH 36 From East					Washington Ave From South					TH 36 From West					Int. Total
	Other	Left	Thru	Rght	App. Total	Other	Left	Thru	Rght	App. Total	Other	Left	Thru	Rght	App. Total	Other	Left	Thru	Rght	App. Total	
Peak Hour Analysis From 06:00 AM to 11:45 AM - Peak 1 of 1																					
Peak Hour for Entire Intersection Begins at 07:00 AM																					
07:00 AM	0	7	24	33	64	0	30	431	19	480	1	17	8	6	32	0	25	190	19	234	810
07:15 AM	0	12	46	10	68	0	48	366	19	433	0	14	18	5	37	0	39	249	39	327	865
07:30 AM	0	10	16	10	36	0	20	352	16	388	0	25	23	9	57	0	32	280	32	344	825
07:45 AM	0	11	22	10	43	0	39	273	25	337	0	25	18	9	52	0	37	275	47	359	791
Total Volume	0	40	108	63	211	0	137	1422	79	1638	1	81	67	29	178	0	133	994	137	1264	3291
% App. Total	0	19	51.2	29.9		0	8.4	86.8	4.8		0.6	45.5	37.6	16.3		0	10.5	78.6	10.8		
PHF	.000	.833	.587	.477	.776	.000	.714	.825	.790	.853	.250	.810	.728	.806	.781	.000	.853	.888	.729	.880	.951



Alliant Engineering, Inc

233 Park Ave Suite 300
 Minneapolis, MN 55415
 --TRAFFIC DATA --

TH-36 at Washington Avenue
 Ref.Pt.: 18.906
 data by : Alliant Inc.
 TURN MOVEMENT COUNT

File Name : 303_TH 36 & Washington Ave
 Site Code : 303
 Start Date : 11/14/2017
 Page No : 4

Start Time	Washington Ave From North					TH 36 From East					Washington Ave From South					TH 36 From West					Int. Total
	Other	Left	Thru	Rght	App. Total	Other	Left	Thru	Rght	App. Total	Other	Left	Thru	Rght	App. Total	Other	Left	Thru	Rght	App. Total	
Peak Hour Analysis From 12:00 PM to 05:45 PM - Peak 1 of 1																					
Peak Hour for Entire Intersection Begins at 04:30 PM																					
04:30 PM	0	61	49	68	178	0	41	255	25	321	0	48	44	30	122	0	64	333	75	472	1093
04:45 PM	0	49	51	57	157	0	60	241	33	334	0	44	42	44	130	0	52	346	86	484	1105
05:00 PM	0	58	42	50	150	0	39	199	28	266	0	61	52	38	151	0	39	222	60	321	888
05:15 PM	0	69	86	89	244	0	52	198	19	269	0	45	47	29	121	0	63	387	69	519	1153
Total Volume	0	237	228	264	729	0	192	893	105	1190	0	198	185	141	524	0	218	1288	290	1796	4239
% App. Total	0	32.5	31.3	36.2		0	16.1	75	8.8		0	37.8	35.3	26.9		0	12.1	71.7	16.1		
PHF	.000	.859	.663	.742	.747	.000	.800	.875	.795	.891	.000	.811	.889	.801	.868	.000	.852	.832	.843	.865	.919

