

Alliant Engineering, Inc

233 Park Ave Suite 300

Minneapolis, MN 55415

--TRAFFIC DATA --

Greely Street at North Frontage Road

Ref.Pt.: 19.014

data by : Alliant Inc.

TURN MOVEMENT COUNT

File Name : 305_Greely St & N Frontage Rd

Site Code : 305

Start Date : 11/14/2017

Page No : 1

Groups Printed- Vehicles - Trucks

Start Time	Greely St From North				N Frontage Rd From East				Greely St From South				N Frontage Rd From West				Int. Total
	Other	Left	Thru	Rght	Other	Left	Thru	Rght	Other	Left	Thru	Rght	Other	Left	Thru	Rght	
06:00 AM	0	0	23	0	0	2	0	0	0	7	21	1	0	0	0	1	55
06:15 AM	0	3	33	1	0	0	1	1	1	11	33	2	0	0	0	5	91
06:30 AM	0	8	30	0	0	1	0	0	0	11	41	1	0	0	0	0	92
06:45 AM	0	6	42	1	0	3	2	3	0	22	79	3	0	0	1	4	166
Total	0	17	128	2	0	6	3	4	1	51	174	7	0	0	1	10	404
07:00 AM	0	5	68	2	0	2	0	1	0	16	63	12	0	0	2	2	173
07:15 AM	0	5	97	1	0	10	3	9	0	16	66	6	0	0	0	2	215
07:30 AM	0	11	75	2	0	2	8	16	0	23	84	5	0	0	2	4	232
07:45 AM	0	3	54	4	0	4	9	8	0	26	100	12	0	0	3	8	231
Total	0	24	294	9	0	18	20	34	0	81	313	35	0	0	7	16	851
08:00 AM	0	9	67	6	0	2	6	7	0	28	68	11	0	0	2	7	213
08:15 AM	0	14	60	4	0	10	1	1	0	25	84	16	0	0	1	3	219
08:30 AM	0	9	65	5	0	13	1	5	0	24	71	14	0	0	5	8	220
08:45 AM	0	13	87	4	0	7	10	6	0	20	88	19	0	0	6	9	269
Total	0	45	279	19	0	32	18	19	0	97	311	60	0	0	14	27	921
09:00 AM	0	8	74	6	0	4	6	1	0	18	62	9	0	0	0	7	195
09:15 AM	0	13	70	5	0	5	9	4	0	16	60	13	0	0	4	4	203
*** BREAK ***																	
Total	0	21	144	11	0	9	15	5	0	34	122	22	0	0	4	11	398
*** BREAK ***																	
10:30 AM	0	8	69	5	0	9	7	2	0	14	43	8	0	0	5	13	183
10:45 AM	0	13	56	4	0	11	3	9	0	15	68	10	0	0	8	14	211
Total	0	21	125	9	0	20	10	11	0	29	111	18	0	0	13	27	394
11:00 AM	0	6	78	4	0	14	6	12	1	20	65	12	0	0	4	14	236
11:15 AM	0	7	82	12	0	19	8	9	0	26	76	11	0	0	6	10	266
11:30 AM	0	8	86	7	0	3	0	5	0	10	57	5	0	0	2	16	199
11:45 AM	0	11	86	9	0	2	1	0	0	17	61	7	0	0	5	26	225
Total	0	32	332	32	0	38	15	26	1	73	259	35	0	0	17	66	926
12:00 PM	0	9	86	9	0	18	5	12	0	28	52	14	0	0	3	13	249
12:15 PM	0	14	77	6	0	3	4	4	0	9	21	7	0	0	4	32	181
12:30 PM	0	12	66	11	0	9	8	8	0	21	46	22	0	0	6	30	239
12:45 PM	1	15	82	12	0	19	6	12	0	32	83	17	0	0	8	20	307
Total	1	50	311	38	0	49	23	36	0	90	202	60	0	0	21	95	976
01:00 PM	0	7	72	13	0	29	6	12	0	29	48	16	0	0	7	22	261
01:15 PM	0	7	52	7	0	16	5	5	0	14	56	13	0	0	5	15	195
*** BREAK ***																	
Total	0	14	124	20	0	45	11	17	0	43	104	29	0	0	12	37	456
*** BREAK ***																	
02:30 PM	0	10	71	4	0	23	4	5	0	18	86	11	0	0	5	21	258
02:45 PM	0	6	88	7	0	10	2	3	0	12	45	7	0	0	4	18	202
Total	0	16	159	11	0	33	6	8	0	30	131	18	0	0	9	39	460
03:00 PM	0	10	93	8	0	7	3	2	0	2	27	4	0	0	4	24	184
03:15 PM	0	10	103	11	0	9	3	7	0	13	48	16	0	0	5	13	238
03:30 PM	0	18	127	4	0	17	1	8	0	13	86	13	0	0	6	32	325
03:45 PM	0	6	135	14	0	7	5	8	0	12	101	6	0	0	3	23	320
Total	0	44	458	37	0	40	12	25	0	40	262	39	0	0	18	92	1067
04:00 PM	0	13	116	5	0	20	9	21	0	10	71	12	0	0	9	30	316
04:15 PM	0	8	84	7	0	6	6	4	0	18	73	11	0	0	7	37	261
04:30 PM	0	10	117	8	0	22	7	10	0	18	75	12	0	0	4	39	322
04:45 PM	0	5	118	9	0	17	4	13	0	21	82	10	0	0	4	36	319
Total	0	36	435	29	0	65	26	48	0	67	301	45	0	0	24	142	1218

Alliant Engineering, Inc

233 Park Ave Suite 300

Minneapolis, MN 55415

--TRAFFIC DATA --

Greely Street at North Frontage Road

Ref.Pt.: 19.014

data by : Alliant Inc.

TURN MOVEMENT COUNT

File Name : 305_Greely St & N Frontage Rd

Site Code : 305

Start Date : 11/14/2017

Page No : 2

Groups Printed- Vehicles - Trucks

Start Time	Greely St From North				N Frontage Rd From East				Greely St From South				N Frontage Rd From West				Int. Total
	Other	Left	Thru	Rght	Other	Left	Thru	Rght	Other	Left	Thru	Rght	Other	Left	Thru	Rght	
05:00 PM	0	7	97	12	0	19	8	14	0	19	85	9	0	0	2	41	313
05:15 PM	0	9	106	11	0	16	6	16	0	13	74	15	0	0	6	34	306
05:30 PM	0	2	90	9	0	11	4	12	0	11	63	16	0	0	2	18	238
05:45 PM	0	5	73	7	0	9	4	3	0	39	73	12	0	0	8	15	248
Total	0	23	366	39	0	55	22	45	0	82	295	52	0	0	18	108	1105
Grand Total	1	343	3155	256	0	410	181	278	2	717	2585	420	0	0	158	670	9176
Apprch %	0	9.1	84	6.8	0	47.2	20.8	32	0.1	19.3	69.4	11.3	0	0	19.1	80.9	
Total %	0	3.7	34.4	2.8	0	4.5	2	3	0	7.8	28.2	4.6	0	0	1.7	7.3	
Vehicles	1	339	3102	254	0	404	177	276	1	705	2542	418	0	0	157	657	9033
% Vehicles	100	98.8	98.3	99.2	0	98.5	97.8	99.3	50	98.3	98.3	99.5	0	0	99.4	98.1	98.4
Trucks	0	4	53	2	0	6	4	2	1	12	43	2	0	0	1	13	143
% Trucks	0	1.2	1.7	0.8	0	1.5	2.2	0.7	50	1.7	1.7	0.5	0	0	0.6	1.9	1.6

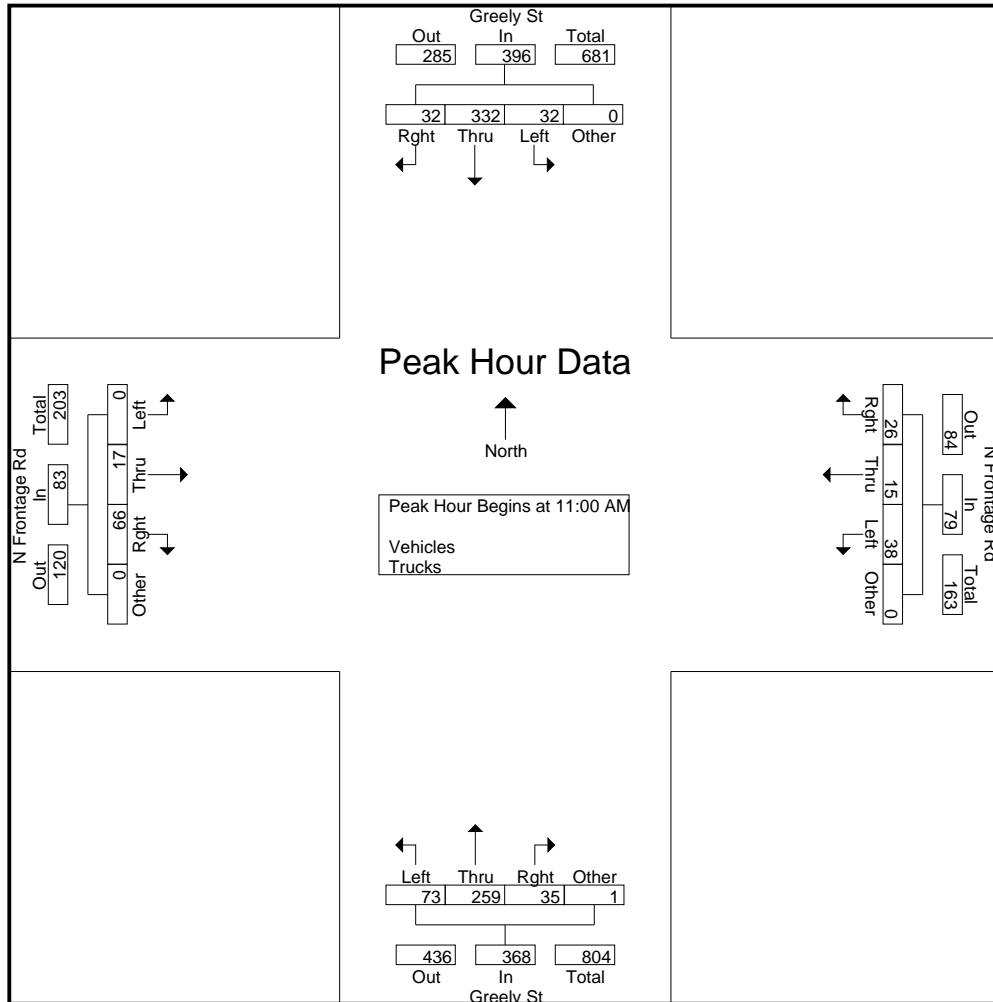
Alliant Engineering, Inc

233 Park Ave Suite 300
 Minneapolis, MN 55415
 --TRAFFIC DATA --

Greely Street at North Frontage Road
 Ref.Pt.: 19.014
 data by : Alliant Inc.
 TURN MOVEMENT COUNT

File Name : 305_Greely St & N Frontage Rd
 Site Code : 305
 Start Date : 11/14/2017
 Page No : 3

Start Time	Greely St From North					N Frontage Rd From East					Greely St From South					N Frontage Rd From West					Int. Total
	Other	Left	Thru	Right	App. Total	Other	Left	Thru	Right	App. Total	Other	Left	Thru	Right	App. Total	Other	Left	Thru	Right	App. Total	
Peak Hour Analysis From 06:00 AM to 11:45 AM - Peak 1 of 1																					
Peak Hour for Entire Intersection Begins at 11:00 AM																					
11:00 AM	0	6	78	4	88	0	14	6	12	32	1	20	65	12	98	0	0	4	14	18	236
11:15 AM	0	7	82	12	101	0	19	8	9	36	0	26	76	11	113	0	0	6	10	16	266
11:30 AM	0	8	86	7	101	0	3	0	5	8	0	10	57	5	72	0	0	2	16	18	199
11:45 AM	0	11	86	9	106	0	2	1	0	3	0	17	61	7	85	0	0	5	26	31	225
Total Volume	0	32	332	32	396	0	38	15	26	79	1	73	259	35	368	0	0	17	66	83	926
% App. Total	0	8.1	83.8	8.1		0	48.1	19	32.9		0.3	19.8	70.4	9.5		0	0	20.5	79.5		
PHF	.000	.727	.965	.667	.934	.000	.500	.469	.542	.549	.250	.702	.852	.729	.814	.000	.000	.708	.635	.669	.870



Alliant Engineering, Inc

233 Park Ave Suite 300
 Minneapolis, MN 55415

--TRAFFIC DATA --

Greely Street at North Frontage Road

Ref.Pt.: 19.014

data by : Alliant Inc.

TURN MOVEMENT COUNT

File Name : 305_Greely St & N Frontage Rd

Site Code : 305

Start Date : 11/14/2017

Page No : 4

Start Time	Greely St From North					N Frontage Rd From East					Greely St From South					N Frontage Rd From West					Int. Total
	Other	Left	Thru	Rght	App. Total	Other	Left	Thru	Rght	App. Total	Other	Left	Thru	Rght	App. Total	Other	Left	Thru	Rght	App. Total	
Peak Hour Analysis From 12:00 PM to 05:45 PM - Peak 1 of 1																					
Peak Hour for Entire Intersection Begins at 04:30 PM																					
04:30 PM	0	10	117	8	135	0	22	7	10	39	0	18	75	12	105	0	0	4	39	43	322
04:45 PM	0	5	118	9	132	0	17	4	13	34	0	21	82	10	113	0	0	4	36	40	319
05:00 PM	0	7	97	12	116	0	19	8	14	41	0	19	85	9	113	0	0	2	41	43	313
05:15 PM	0	9	106	11	126	0	16	6	16	38	0	13	74	15	102	0	0	6	34	40	306
Total Volume	0	31	438	40	509	0	74	25	53	152	0	71	316	46	433	0	0	16	150	166	1260
% App. Total	0	6.1	86.1	7.9		0	48.7	16.4	34.9		0	16.4	73	10.6		0	0	9.6	90.4		
PHF	.000	.775	.928	.833	.943	.000	.841	.781	.828	.927	.000	.845	.929	.767	.958	.000	.000	.667	.915	.965	.978

