



MINNESOTA DEPT OF TRANSPORTATION

TRAFFIC DATA COLLECTION - METRO

TH-41 at Engler Blvd CHASKA
 Ref.Pt.: 003.113
 video SP
 TURN MOVEMENT COUNT

File Name : TH-41 at Engler Blvd 2013
 Site Code :
 Start Date : 10/23/2013
 Page No : 1

Groups Printed- Cars +

Start Time	TH-41 Southbound				Engler Blvd Westbound				TH-41 Northbound				Engler Blvd Eastbound				Int. Total
	Right	Thru	Left	Peds	Right	Thru	Left	Peds	Right	Thru	Left	Peds	Right	Thru	Left	Peds	
06:00	6	31	1	0	9	11	1	0	3	67	9	0	12	26	36	0	212
06:15	5	33	3	0	18	15	0	0	1	103	14	0	19	28	21	0	260
06:30	8	58	9	0	14	13	1	0	4	139	13	0	15	34	34	0	342
06:45	18	61	13	0	36	20	5	0	18	158	17	0	12	74	45	0	477
Total	37	183	26	0	77	59	7	0	26	467	53	0	58	162	136	0	1291
07:00	16	70	28	0	32	43	13	0	22	133	30	0	21	121	41	0	570
07:15	18	97	37	0	50	58	31	0	20	205	33	0	22	112	51	0	734
07:30	11	92	15	0	27	33	3	0	8	153	36	0	24	80	72	0	554
07:45	31	88	15	0	26	32	5	0	6	215	29	0	31	62	68	0	608
Total	76	347	95	0	135	166	52	0	56	706	128	0	98	375	232	0	2466
08:00	12	100	18	0	13	22	4	0	3	174	26	0	33	63	44	0	512
08:15	14	84	11	0	15	18	4	0	2	143	18	0	22	55	45	0	431
08:30	12	93	14	0	16	19	7	0	7	151	23	0	24	27	31	0	424
08:45	21	104	14	0	17	16	3	0	7	142	16	0	25	44	29	0	438
Total	59	381	57	0	61	75	18	0	19	610	83	0	104	189	149	0	1805
***** BREAK *****																	
11:00	12	71	15	0	13	26	6	0	3	88	23	0	19	15	17	0	308
11:15	27	85	14	0	23	10	5	0	3	101	23	0	14	23	15	0	343
11:30	22	98	10	0	26	30	5	0	7	121	17	0	31	14	21	0	402
11:45	10	91	11	0	13	16	3	0	3	122	19	0	26	18	17	0	349
Total	71	345	50	0	75	82	19	0	16	432	82	0	90	70	70	0	1402
12:00	22	106	7	0	28	23	8	0	5	105	16	0	18	14	14	0	366
12:15	23	102	25	0	15	20	3	0	8	109	22	0	20	19	20	0	386
12:30	13	105	13	0	16	18	7	0	10	111	21	0	16	15	20	0	365
12:45	17	105	18	0	21	20	3	0	8	112	32	0	26	25	17	0	404
Total	75	418	63	0	80	81	21	0	31	437	91	0	80	73	71	0	1521
***** BREAK *****																	
15:00	36	124	18	0	21	45	7	0	6	96	28	0	21	24	20	0	446
15:15	39	152	23	0	27	54	12	0	9	116	47	0	25	33	30	0	567
15:30	55	169	19	0	17	47	20	0	10	109	35	0	26	28	24	0	559
15:45	43	157	26	0	18	50	10	0	11	141	50	0	34	35	25	0	600
Total	173	602	86	0	83	196	49	0	36	462	160	0	106	120	99	0	2172
16:00	46	166	25	0	20	65	12	0	11	143	49	0	24	53	36	0	650
16:15	44	180	23	0	25	61	7	0	7	134	36	0	17	49	29	0	612
16:30	38	166	20	0	16	58	5	0	5	165	45	0	23	41	23	0	605
16:45	53	185	33	0	20	61	9	0	19	136	60	0	32	40	19	0	667
Total	181	697	101	0	81	245	33	0	42	578	190	0	96	183	107	0	2534
17:00	74	178	21	0	25	66	8	0	8	137	57	0	32	36	37	0	679
17:15	58	180	23	0	17	71	13	0	7	147	45	0	21	50	27	0	659
17:30	53	190	29	0	27	59	11	0	11	125	30	0	23	52	33	0	643
17:45	49	165	43	0	29	58	11	0	18	127	44	0	33	74	26	0	677
Total	234	713	116	0	98	254	43	0	44	536	176	0	109	212	123	0	2658
Grand Total	906	3686	594	0	690	1158	242	0	270	4228	963	0	741	1384	987	0	15849
Apprch %	17.5	71.1	11.5	0	33	55.4	11.6	0	4.9	77.4	17.6	0	23.8	44.5	31.7	0	
Total %	5.7	23.3	3.7	0	4.4	7.3	1.5	0	1.7	26.7	6.1	0	4.7	8.7	6.2	0	



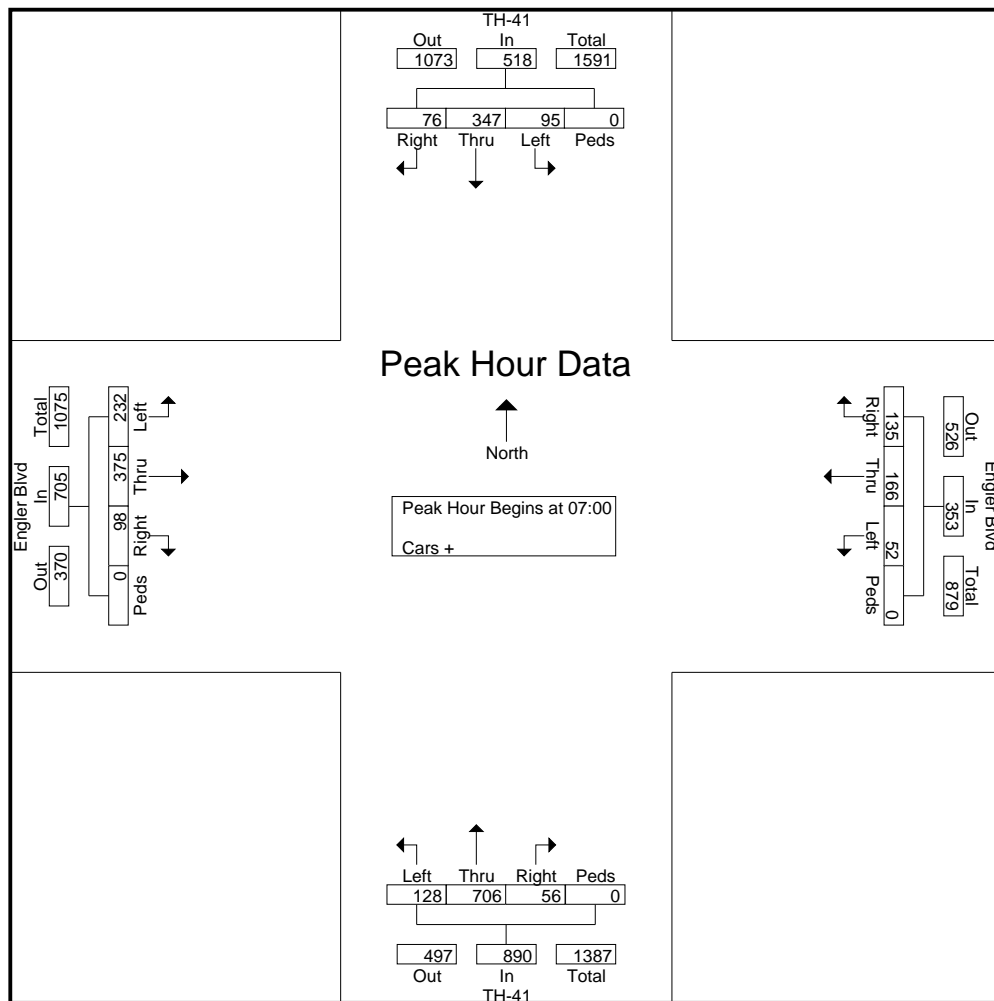
MINNESOTA DEPT OF TRANSPORTATION

TRAFFIC DATA COLLECTION - METRO

TH-41 at Engler Blvd CHASKA
 Ref.Pt.: 003.113
 video SP
 TURN MOVEMENT COUNT

File Name : TH-41 at Engler Blvd 2013
 Site Code :
 Start Date : 10/23/2013
 Page No : 2

Start Time	TH-41 Southbound					Engler Blvd Westbound					TH-41 Northbound					Engler Blvd Eastbound					Int. Total
	Right	Thru	Left	Peds	App. Total	Right	Thru	Left	Peds	App. Total	Right	Thru	Left	Peds	App. Total	Right	Thru	Left	Peds	App. Total	
Peak Hour Analysis From 06:00 to 08:45 - Peak 1 of 1																					
Peak Hour for Entire Intersection Begins at 07:00																					
07:00	16	70	28	0	114	32	43	13	0	88	22	133	30	0	185	21	121	41	0	183	570
07:15	18	97	37	0	152	50	58	31	0	139	20	205	33	0	258	22	112	51	0	185	734
07:30	11	92	15	0	118	27	33	3	0	63	8	153	36	0	197	24	80	72	0	176	554
07:45	31	88	15	0	134	26	32	5	0	63	6	215	29	0	250	31	62	68	0	161	608
Total Volume	76	347	95	0	518	135	166	52	0	353	56	706	128	0	890	98	375	232	0	705	2466
% App. Total	14.7	67	18.3	0		38.2	47	14.7	0		6.3	79.3	14.4	0		13.9	53.2	32.9	0		
PHF	.613	.894	.642	.000	.852	.675	.716	.419	.000	.635	.636	.821	.889	.000	.862	.790	.775	.806	.000	.953	.840





MINNESOTA DEPT OF TRANSPORTATION

TRAFFIC DATA COLLECTION - METRO

TH-41 at Engler Blvd CHASKA
 Ref.Pt.: 003.113
 video SP
 TURN MOVEMENT COUNT

File Name : TH-41 at Engler Blvd 2013
 Site Code :
 Start Date : 10/23/2013
 Page No : 3

Start Time	TH-41 Southbound					Engler Blvd Westbound					TH-41 Northbound					Engler Blvd Eastbound					Int. Total
	Rig ht	Thr u	Left	Ped s	App. Total	Rig ht	Thr u	Left	Ped s	App. Total	Right	Thr u	Left	Peds	App. Total	Right	Thr u	Left	Peds	App. Total	
Peak Hour Analysis From 15:00 to 17:45 - Peak 1 of 1																					
Peak Hour for Entire Intersection Begins at 17:00																					
17:00	74	178	21	0	273	25	66	8	0	99	8	137	57	0	202	32	36	37	0	105	679
17:15	58	180	23	0	261	17	71	13	0	101	7	147	45	0	199	21	50	27	0	98	659
17:30	53	190	29	0	272	27	59	11	0	97	11	125	30	0	166	23	52	33	0	108	643
17:45	49	165	43	0	257	29	58	11	0	98	18	127	44	0	189	33	74	26	0	133	677
Total Volume	234	713	116	0	1063	98	254	43	0	395	44	536	176	0	756	109	212	123	0	444	2658
% App. Total	22	67.1	10.9	0		24.8	64.3	10.9	0		5.8	70.9	23.3	0		24.5	47.7	27.7	0		
PHF	.791	.938	.674	.000	.973	.845	.894	.827	.000	.978	.611	.912	.772	.000	.936	.826	.716	.831	.000	.835	.979

