



MINNESOTA DEPT OF TRANSPORTATION

TRAFFIC DATA COLLECTION - METRO

TH-41 at Hundertmark Rd CHASKA

Ref.Pt.: 004.118

video SP

TURN MOVEMENT COUNT

File Name : TH-41 at Hundertmark Rd 2013

Site Code :

Start Date : 11/12/2013

Page No : 1

Groups Printed- Cars +

Start Time	TH-41 Southbound				Hundertmark Rd Westbound				TH-41 Northbound				Hundertmark Rd Eastbound				Int. Total
	Right	Thru	Left	Peds	Right	Thru	Left	Peds	Right	Thru	Left	Peds	Right	Thru	Left	Peds	
06:00	3	31	0	0	2	3	19	0	17	65	5	0	68	11	6	0	230
06:15	1	57	2	0	2	5	23	0	25	113	5	0	76	13	6	0	328
06:30	5	78	3	0	6	7	25	0	35	130	13	0	112	21	12	0	447
06:45	3	103	3	0	7	5	31	0	69	214	28	0	127	25	32	0	647
Total	12	269	8	0	17	20	98	0	146	522	51	0	383	70	56	0	1652
07:00	1	104	2	0	3	8	48	0	78	163	29	0	147	35	26	0	644
07:15	6	118	6	0	4	5	54	0	101	214	29	0	116	36	28	0	717
07:30	6	111	5	0	8	22	35	0	71	173	38	0	110	50	42	0	671
07:45	4	132	10	0	3	18	37	0	120	227	30	0	77	63	35	0	756
Total	17	465	23	0	18	53	174	0	370	777	126	0	450	184	131	0	2788
08:00	12	100	6	0	11	22	61	0	95	175	29	0	83	63	21	0	678
08:15	8	89	8	0	3	13	34	0	33	153	26	0	78	19	17	0	481
08:30	21	106	4	0	4	22	34	0	42	113	31	0	81	32	26	0	516
08:45	19	95	7	0	8	25	26	0	59	149	34	0	75	31	29	0	557
Total	60	390	25	0	26	82	155	0	229	590	120	0	317	145	93	0	2232
*****BREAK*****																	
11:00	11	102	6	0	15	6	31	0	37	96	24	0	35	19	14	0	396
11:15	7	113	3	0	9	11	44	0	46	117	22	0	38	19	10	0	439
11:30	8	111	1	0	11	15	35	0	35	101	21	0	23	14	11	0	386
11:45	8	98	4	0	21	12	30	0	32	121	35	0	24	17	13	0	415
Total	34	424	14	0	56	44	140	0	150	435	102	0	120	69	48	0	1636
12:00	16	95	3	0	14	25	48	0	34	128	38	0	28	17	21	0	467
12:15	21	108	6	0	8	16	34	0	48	122	24	0	30	17	16	0	450
12:30	14	98	7	0	6	21	42	0	35	115	24	0	27	13	13	0	415
12:45	11	111	6	0	7	13	41	0	55	128	25	0	36	15	16	0	464
Total	62	412	22	0	35	75	165	0	172	493	111	0	121	62	66	0	1796
*****BREAK*****																	
15:00	19	132	8	0	8	38	60	0	70	103	49	0	43	21	19	0	570
15:15	16	175	6	0	9	50	66	0	50	132	55	0	50	19	17	0	645
15:30	13	174	9	0	14	38	52	0	67	114	62	0	60	28	11	0	642
15:45	27	170	2	0	7	43	74	0	100	160	97	0	53	18	24	0	775
Total	75	651	25	0	38	169	252	0	287	509	263	0	206	86	71	0	2632
16:00	20	163	7	0	9	47	71	0	75	157	83	0	72	26	31	0	761
16:15	17	185	2	0	11	53	85	0	79	161	97	0	59	23	19	0	791
16:30	17	173	3	0	11	45	79	0	76	147	98	0	52	21	14	0	736
16:45	20	176	2	0	13	45	72	0	87	163	98	0	73	23	16	0	788
Total	74	697	14	0	44	190	307	0	317	628	376	0	256	93	80	0	3076
17:00	12	174	4	0	6	54	79	0	80	185	90	0	44	31	21	0	780
17:15	12	177	2	0	6	63	92	0	65	173	90	0	59	27	25	0	791
17:30	22	186	2	0	4	41	76	0	80	179	98	0	59	22	9	0	778
17:45	29	128	1	0	10	38	67	0	75	167	102	0	48	31	29	0	725
Total	75	665	9	0	26	196	314	0	300	704	380	0	210	111	84	0	3074
Grand Total	409	3973	140	0	260	829	1605	0	1971	4658	1529	0	2063	820	629	0	18886
Apprch %	9	87.9	3.1	0	9.7	30.8	59.6	0	24.2	57.1	18.7	0	58.7	23.3	17.9	0	
Total %	2.2	21	0.7	0	1.4	4.4	8.5	0	10.4	24.7	8.1	0	10.9	4.3	3.3	0	



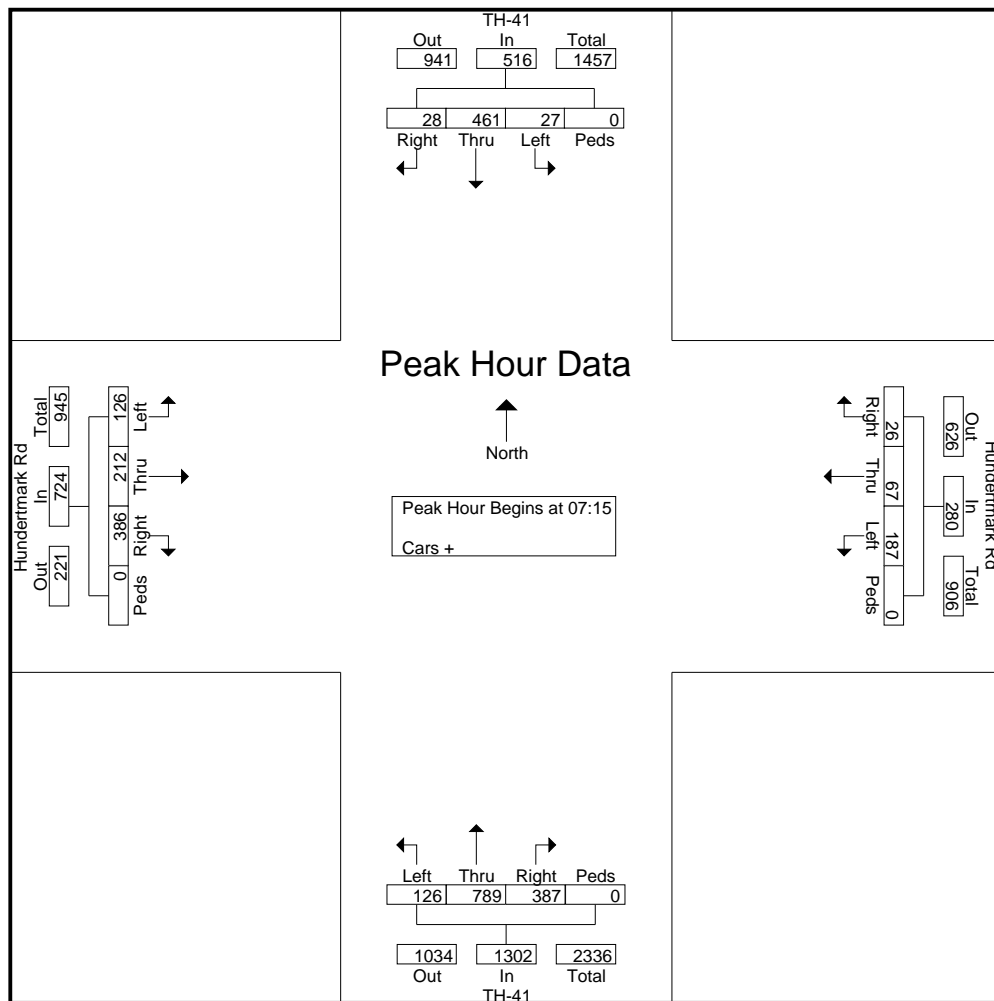
MINNESOTA DEPT OF TRANSPORTATION

TRAFFIC DATA COLLECTION - METRO

TH-41 at Hundertmark Rd CHASKA
 Ref.Pt.: 004.118
 video SP
 TURN MOVEMENT COUNT

File Name : TH-41 at Hundertmark Rd 2013
 Site Code :
 Start Date : 11/12/2013
 Page No : 2

Start Time	TH-41 Southbound					Hundertmark Rd Westbound					TH-41 Northbound					Hundertmark Rd Eastbound					Int. Total
	Right	Thru	Left	Peds	App. Total	Right	Thru	Left	Peds	App. Total	Right	Thru	Left	Peds	App. Total	Right	Thru	Left	Peds	App. Total	
Peak Hour Analysis From 06:00 to 08:45 - Peak 1 of 1																					
Peak Hour for Entire Intersection Begins at 07:15																					
07:15	6	118	6	0	130	4	5	54	0	63	101	214	29	0	344	116	36	28	0	180	717
07:30	6	111	5	0	122	8	22	35	0	65	71	173	38	0	282	110	50	42	0	202	671
07:45	4	132	10	0	146	3	18	37	0	58	120	227	30	0	377	77	63	35	0	175	756
08:00	12	100	6	0	118	11	22	61	0	94	95	175	29	0	299	83	63	21	0	167	678
Total Volume	28	461	27	0	516	26	67	187	0	280	387	789	126	0	1302	386	212	126	0	724	2822
% App. Total	5.4	89.3	5.2	0		9.3	23.9	66.8	0		29.7	60.6	9.7	0		53.3	29.3	17.4	0		
PHF	.583	.873	.675	.000	.884	.591	.761	.766	.000	.745	.806	.869	.829	.000	.863	.832	.841	.750	.000	.896	.933





MINNESOTA DEPT OF TRANSPORTATION

TRAFFIC DATA COLLECTION - METRO

TH-41 at Hundertmark Rd CHASKA
 Ref.Pt.: 004.118
 video SP
 TURN MOVEMENT COUNT

File Name : TH-41 at Hundertmark Rd 2013
 Site Code :
 Start Date : 11/12/2013
 Page No : 3

Start Time	TH-41 Southbound					Hundertmark Rd Westbound					TH-41 Northbound					Hundertmark Rd Eastbound					Int. Total
	Rig ht	Thr u	Left	Ped s	App. Total	Rig ht	Thr u	Left	Ped s	App. Total	Right	Thr u	Left	Peds	App. Total	Right	Thr u	Left	Peds	App. Total	
Peak Hour Analysis From 15:00 to 17:45 - Peak 1 of 1																					
Peak Hour for Entire Intersection Begins at 16:45																					
16:45	20	176	2	0	198	13	45	72	0	130	87	163	98	0	348	73	23	16	0	112	788
17:00	12	174	4	0	190	6	54	79	0	139	80	185	90	0	355	44	31	21	0	96	780
17:15	12	177	2	0	191	6	63	92	0	161	65	173	90	0	328	59	27	25	0	111	791
17:30	22	186	2	0	210	4	41	76	0	121	80	179	98	0	357	59	22	9	0	90	778
Total Volume	66	713	10	0	789	29	203	319	0	551	312	700	376	0	1388	235	103	71	0	409	3137
% App. Total	8.4	90.4	1.3	0		5.3	36.8	57.9	0		22.5	50.4	27.1	0		57.5	25.2	17.4	0		
PHF	.750	.958	.625	.000	.939	.558	.806	.867	.000	.856	.897	.946	.959	.000	.972	.805	.831	.710	.000	.913	.991

