

Alliant Engineering, Inc

233 Park Ave Suite 300
 Minneapolis, MN 55415

--TRAFFIC DATA --

TH 47 & 44th Ave
 Ref.Pt.: 6.250
 data by : Alliant Inc.
 TURN MOVEMENT COUNT

File Name : 603_TH 47 & 44th Ave
 Site Code : 603
 Start Date : 2/28/2018
 Page No : 1

Groups Printed- Class 1 - Class 2

Start Time	TH 47 From North					44th Ave From East					TH 47 From South					44th Ave From West					Int. Total
	Other	Rght	Thru	Left	App. Total	Other	Rght	Thru	Left	App. Total	Other	Rght	Thru	Left	App. Total	Other	Rght	Thru	Left	App. Total	
06:00 AM	0	14	99	4	117	0	10	10	10	30	0	4	39	2	45	0	1	6	10	17	209
06:15 AM	0	29	172	6	207	2	21	17	11	51	0	1	49	0	50	0	8	7	12	27	335
06:30 AM	0	26	242	2	270	0	38	20	13	71	0	4	73	5	82	0	8	4	5	17	440
06:45 AM	0	44	248	12	304	1	19	23	12	55	2	5	64	2	73	0	8	16	9	33	465
Total	0	113	761	24	898	3	88	70	46	207	2	14	225	9	250	0	25	33	36	94	1449
07:00 AM	0	21	230	16	267	1	29	31	13	74	0	0	103	1	104	0	7	12	17	36	481
07:15 AM	0	36	276	6	318	2	25	37	16	80	4	6	99	2	111	0	10	12	23	45	554
07:30 AM	0	18	260	14	292	0	30	42	16	88	0	2	125	1	128	0	8	20	13	41	549
07:45 AM	0	29	320	10	359	1	25	44	11	81	0	6	138	0	144	0	13	20	11	44	628
Total	0	104	1086	46	1236	4	109	154	56	323	4	14	465	4	487	0	38	64	64	166	2212
08:00 AM	0	23	268	14	305	1	15	41	19	76	1	5	117	8	131	0	10	24	9	43	555
08:15 AM	0	16	246	14	276	0	19	26	7	52	0	6	85	6	97	0	2	9	13	24	449
08:30 AM	0	19	183	24	226	0	17	31	14	62	0	5	73	4	82	0	8	14	9	31	401
08:45 AM	0	16	159	23	198	0	27	23	12	62	0	5	91	6	102	0	7	17	8	32	394
Total	0	74	856	75	1005	1	78	121	52	252	1	21	366	24	412	0	27	64	39	130	1799
09:00 AM	0	9	133	20	162	0	18	15	10	43	0	11	83	7	101	0	2	12	12	26	332
09:15 AM	0	7	131	16	154	0	24	16	7	47	0	3	90	8	101	0	7	14	12	33	335
09:30 AM	0	2	6	1	9	0	0	0	0	0	0	0	0	0	0	0	0	1	3	4	13
*** BREAK ***																					
Total	0	18	270	37	325	0	42	31	17	90	0	14	173	15	202	0	9	27	27	63	680
*** BREAK ***																					
10:30 AM	0	9	127	10	146	1	16	23	11	51	0	4	89	4	97	0	8	19	13	40	334
10:45 AM	0	10	116	13	139	0	14	15	5	34	0	4	81	5	90	0	1	14	11	26	289
Total	0	19	243	23	285	1	30	38	16	85	0	8	170	9	187	0	9	33	24	66	623
11:00 AM	0	16	118	19	153	0	8	13	5	26	0	5	98	8	111	0	4	11	11	26	316
11:15 AM	0	14	113	21	148	0	10	18	3	31	0	10	104	4	118	0	11	11	7	29	326
11:30 AM	0	8	86	19	113	0	20	18	11	49	1	11	110	6	128	0	7	17	11	35	325
11:45 AM	0	10	126	17	153	0	27	23	8	58	0	13	106	4	123	0	7	24	6	37	371
Total	0	48	443	76	567	0	65	72	27	164	1	39	418	22	480	0	29	63	35	127	1338
12:00 PM	0	10	105	20	135	0	20	24	6	50	0	8	101	9	118	0	8	22	14	44	347
12:15 PM	0	13	112	20	145	0	24	24	12	60	0	10	88	1	99	0	5	20	12	37	341
12:30 PM	0	11	125	27	163	0	17	28	14	59	0	9	106	5	120	0	4	24	14	42	384
12:45 PM	0	9	112	13	134	3	24	23	12	62	3	9	111	5	128	0	10	24	7	41	365
Total	0	43	454	80	577	3	85	99	44	231	3	36	406	20	465	0	27	90	47	164	1437
01:00 PM	0	9	107	15	131	0	23	18	11	52	0	11	104	7	122	0	7	21	10	38	343
01:15 PM	0	10	100	23	133	2	23	22	10	57	0	5	106	1	112	0	5	18	16	39	341
*** BREAK ***																					
Total	0	19	207	38	264	2	46	40	21	109	0	16	210	8	234	0	12	39	26	77	684
*** BREAK ***																					
02:30 PM	0	14	105	25	144	0	21	19	12	52	0	12	135	2	149	0	7	28	12	47	392
02:45 PM	0	23	157	36	216	3	27	25	10	65	1	10	157	3	171	0	6	33	14	53	505
Total	0	37	262	61	360	3	48	44	22	117	1	22	292	5	320	0	13	61	26	100	897
03:00 PM	0	5	132	31	168	0	22	28	5	55	0	13	187	11	211	0	12	18	28	58	492
03:15 PM	0	12	141	32	185	1	26	27	7	61	0	17	193	8	218	0	5	30	17	52	516
03:30 PM	0	23	170	38	231	1	30	29	16	76	1	12	238	9	260	0	6	26	22	54	621
03:45 PM	0	23	149	22	194	2	24	26	13	65	1	15	231	8	255	0	17	36	12	65	579
Total	0	63	592	123	778	4	102	110	41	257	2	57	849	36	944	0	40	110	79	229	2208
04:00 PM	0	27	176	40	243	4	29	28	14	75	2	17	227	4	250	0	12	36	22	70	638
04:15 PM	0	17	130	23	170	0	22	38	13	73	0	22	288	11	321	0	12	35	19	66	630
04:30 PM	0	23	157	32	212	2	25	34	9	70	0	19	246	12	277	0	12	33	23	68	627

Alliant Engineering, Inc

233 Park Ave Suite 300

Minneapolis, MN 55415

--TRAFFIC DATA --

TH 47 & 44th Ave
 Ref.Pt.: 6.250
 data by : Alliant Inc.
 TURN MOVEMENT COUNT

File Name : 603_TH 47 & 44th Ave
 Site Code : 603_____
 Start Date : 2/28/2018
 Page No : 2

Groups Printed- Class 1 - Class 2

Start Time	TH 47 From North					44th Ave From East					TH 47 From South					44th Ave From West					Int. Total
	Other	Rght	Thru	Left	App. Total	Other	Rght	Thru	Left	App. Total	Other	Rght	Thru	Left	App. Total	Other	Rght	Thru	Left	App. Total	
04:45 PM	0	12	148	30	190	2	18	37	17	74	0	20	314	17	351	0	11	54	21	86	701
Total	0	79	611	125	815	8	94	137	53	292	2	78	1075	44	1199	0	47	158	85	290	2596
05:00 PM	0	15	179	38	232	0	28	39	15	82	0	18	283	19	320	0	6	68	21	95	729
05:15 PM	0	20	169	34	223	2	24	33	13	72	0	15	306	13	334	0	9	47	26	82	711
05:30 PM	0	12	156	28	196	0	25	40	16	81	0	14	267	19	300	0	16	51	20	87	664
05:45 PM	0	24	131	35	190	1	24	40	12	77	2	11	215	11	239	0	6	42	24	72	578
Total	0	71	635	135	841	3	101	152	56	312	2	58	1071	62	1193	0	37	208	91	336	2682
Grand Total	0	688	6420	843	7951	32	888	1068	451	2439	18	377	5720	258	6373	0	313	950	579	1842	18605
Apprch %	0	8.7	80.7	10.6		1.3	36.4	43.8	18.5		0.3	5.9	89.8	4		0	17	51.6	31.4		
Total %	0	3.7	34.5	4.5	42.7	0.2	4.8	5.7	2.4	13.1	0.1	2	30.7	1.4	34.3	0	1.7	5.1	3.1	9.9	
Class 1	0	634	5946	820	7400	32	837	1005	431	2305	18	361	5245	231	5855	0	293	894	526	1713	17273
% Class 1	0	92.2	92.6	97.3	93.1	100	94.3	94.1	95.6	94.5	100	95.8	91.7	89.5	91.9	0	93.6	94.1	90.8	93	92.8
Class 2	0	54	474	23	551	0	51	63	20	134	0	16	475	27	518	0	20	56	53	129	1332
% Class 2	0	7.8	7.4	2.7	6.9	0	5.7	5.9	4.4	5.5	0	4.2	8.3	10.5	8.1	0	6.4	5.9	9.2	7	7.2

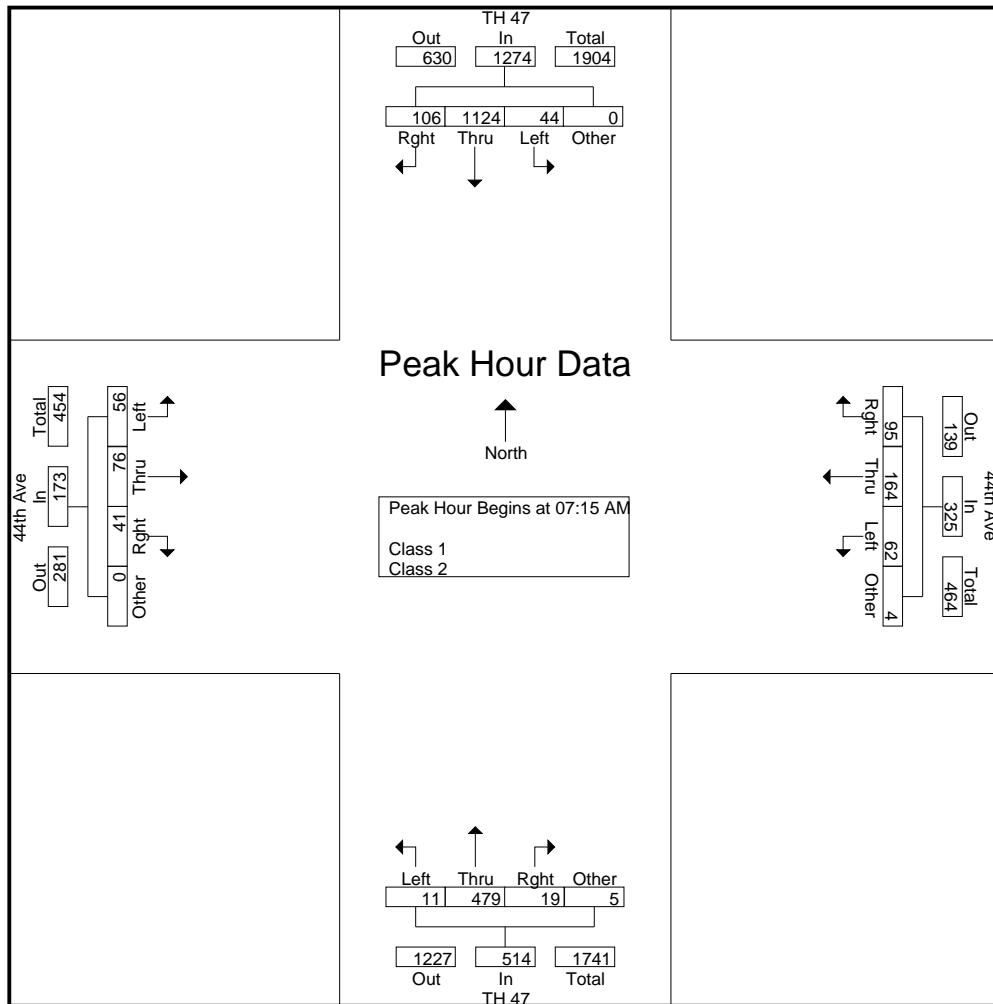
Alliant Engineering, Inc

233 Park Ave Suite 300
 Minneapolis, MN 55415
 --TRAFFIC DATA --

TH 47 & 44th Ave
 Ref.Pt.: 6.250
 data by : Alliant Inc.
 TURN MOVEMENT COUNT

File Name : 603_TH 47 & 44th Ave
 Site Code : 603_____
 Start Date : 2/28/2018
 Page No : 3

Start Time	TH 47 From North					44th Ave From East					TH 47 From South					44th Ave From West					Int. Total
	Other	Rght	Thru	Left	App. Total	Other	Rght	Thru	Left	App. Total	Other	Rght	Thru	Left	App. Total	Other	Rght	Thru	Left	App. Total	
Peak Hour Analysis From 06:00 AM to 11:45 AM - Peak 1 of 1																					
Peak Hour for Entire Intersection Begins at 07:15 AM																					
07:15 AM	0	36	276	6	318	2	25	37	16	80	4	6	99	2	111	0	10	12	23	45	554
07:30 AM	0	18	260	14	292	0	30	42	16	88	0	2	125	1	128	0	8	20	13	41	549
07:45 AM	0	29	320	10	359	1	25	44	11	81	0	6	138	0	144	0	13	20	11	44	628
08:00 AM	0	23	268	14	305	1	15	41	19	76	1	5	117	8	131	0	10	24	9	43	555
Total Volume	0	106	1124	44	1274	4	95	164	62	325	5	19	479	11	514	0	41	76	56	173	2286
% App. Total	0	8.3	88.2	3.5		1.2	29.2	50.5	19.1		1	3.7	93.2	2.1		0	23.7	43.9	32.4		
PHF	.000	.736	.878	.786	.887	.500	.792	.932	.816	.923	.313	.792	.868	.344	.892	.000	.788	.792	.609	.961	.910



Alliant Engineering, Inc

233 Park Ave Suite 300
 Minneapolis, MN 55415
 --TRAFFIC DATA --

TH 47 & 44th Ave
 Ref.Pt.: 6.250
 data by : Alliant Inc.
 TURN MOVEMENT COUNT

File Name : 603_TH 47 & 44th Ave
 Site Code : 603_____
 Start Date : 2/28/2018
 Page No : 4

Start Time	TH 47 From North					44th Ave From East					TH 47 From South					44th Ave From West					Int. Total
	Other	Rgh t	Thr u	Left	App. Total	Other	Rgh t	Thr u	Left	App. Total	Other	Rgh t	Thr u	Left	App. Total	Other	Rgh t	Thr u	Left	App. Total	
Peak Hour Analysis From 12:00 PM to 05:45 PM - Peak 1 of 1																					
Peak Hour for Entire Intersection Begins at 04:45 PM																					
04:45 PM	0	12	148	30	190	2	18	37	17	74	0	20	314	17	351	0	11	54	21	86	701
05:00 PM	0	15	179	38	232	0	28	39	15	82	0	18	283	19	320	0	6	68	21	95	729
05:15 PM	0	20	169	34	223	2	24	33	13	72	0	15	306	13	334	0	9	47	26	82	711
05:30 PM	0	12	156	28	196	0	25	40	16	81	0	14	267	19	300	0	16	51	20	87	664
Total Volume	0	59	652	130	841	4	95	149	61	309	0	67	1170	68	1305	0	42	220	88	350	2805
% App. Total	0	7	77.5	15.5		1.3	30.7	48.2	19.7		0	5.1	89.7	5.2		0	12	62.9	25.1		
PHF	.000	.738	.911	.855	.906	.500	.848	.931	.897	.942	.000	.838	.932	.895	.929	.000	.656	.809	.846	.921	.962

