



# ALLIANT ENGINEERING, INC.

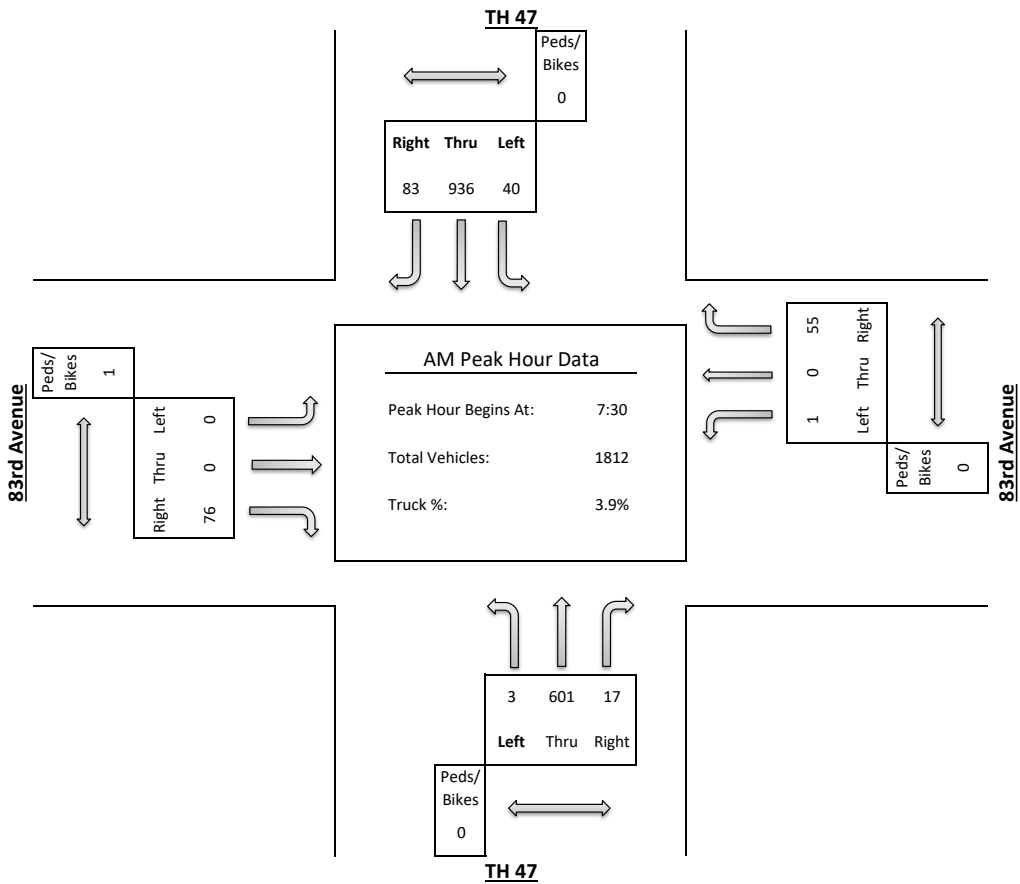
733 S Marquette Ave #700, Minneapolis, MN 55402

Intersection: TH 47 & 83rd Avenue  
 Date: 3/21/2024  
 Duration: 0600-1800

Site Code: 6145  
 Ref Pt: N/A  
 Page No: 2 of 4

All Vehicles (Cars & Trucks) Printed

Start Time	TH 47 Southbound						83rd Avenue Westbound						TH 47 Northbound						83rd Avenue Eastbound						Int. Veh. Total	Int. Ped/Bike Total
	U-Turn	Left	Thru	Right	App. Total	Peds/Bikes	U-Turn	Left	Thru	Right	App. Total	Peds/Bikes	U-Turn	Left	Thru	Right	App. Total	Peds/Bikes	U-Turn	Left	Thru	Right	App. Total	Peds/Bikes		
7:30	--	9	284	20	<b>313</b>	--	--	--	--	13	<b>13</b>	--	--	--	167	4	<b>171</b>	--	--	--	--	22	<b>22</b>	--	519	--
7:45	--	8	273	21	<b>302</b>	--	--	--	--	11	<b>11</b>	--	--	--	136	1	<b>137</b>	--	--	--	--	25	<b>25</b>	--	475	--
8:00	--	9	217	22	<b>248</b>	--	--	1	--	11	<b>12</b>	--	2	--	136	3	<b>141</b>	--	--	--	--	20	<b>20</b>	--	421	--
8:15	--	14	162	20	<b>196</b>	--	--	--	--	20	<b>20</b>	--	1	--	162	9	<b>172</b>	--	--	--	--	9	<b>9</b>	1	397	<b>1</b>
Hour Total	--	40	936	83	<b>1059</b>	--	--	1	--	55	<b>56</b>	--	3	--	601	17	<b>621</b>	--	--	--	--	76	<b>76</b>	1	1812	<b>1</b>
% of App.	0.0%	3.8%	88.4%	7.8%			0.0%	1.8%	0.0%	98.2%			0.5%	0.0%	96.8%	2.7%			0.0%	0.0%	0.0%	100%				
% of Total	0.0%	2.2%	51.7%	4.6%	58.4%	0.0%	0.0%	0.1%	0.0%	3.0%	3.1%	0.0%	0.2%	0.0%	33.2%	0.9%	34.3%	0.0%	0.0%	0.0%	0.0%	4.2%	4.2%	#####		
Cars Total	--	40	902	80	<b>1022</b>	--	--	1	--	55	<b>56</b>	--	1	--	571	16	<b>588</b>	--	--	--	--	75	<b>75</b>	1	1741	<b>1</b>
Cars % of Movement	0.0%	100%	96.4%	96.4%	96.5%	0.0%	0.0%	100%	0.0%	100%	100%	0.0%	33.3%	0.0%	95.0%	94.1%	94.7%	0.0%	0.0%	0.0%	0.0%	98.7%	98.7%	#####	96.1%	
Trucks Total	--	--	34	3	<b>37</b>	--	--	--	--	--	<b>0</b>	--	2	--	30	1	<b>33</b>	--	--	--	--	1	<b>1</b>	--	71	--
Trucks % of Movement	0.0%	0.0%	3.6%	3.6%	3.5%	--	0.0%	0.0%	0.0%	0.0%	0.0%	--	66.7%	0.0%	5.0%	5.9%	5.3%	--	0.0%	0.0%	0.0%	1.3%	1.3%	--	3.9%	



# ALLIANT ENGINEERING, INC.

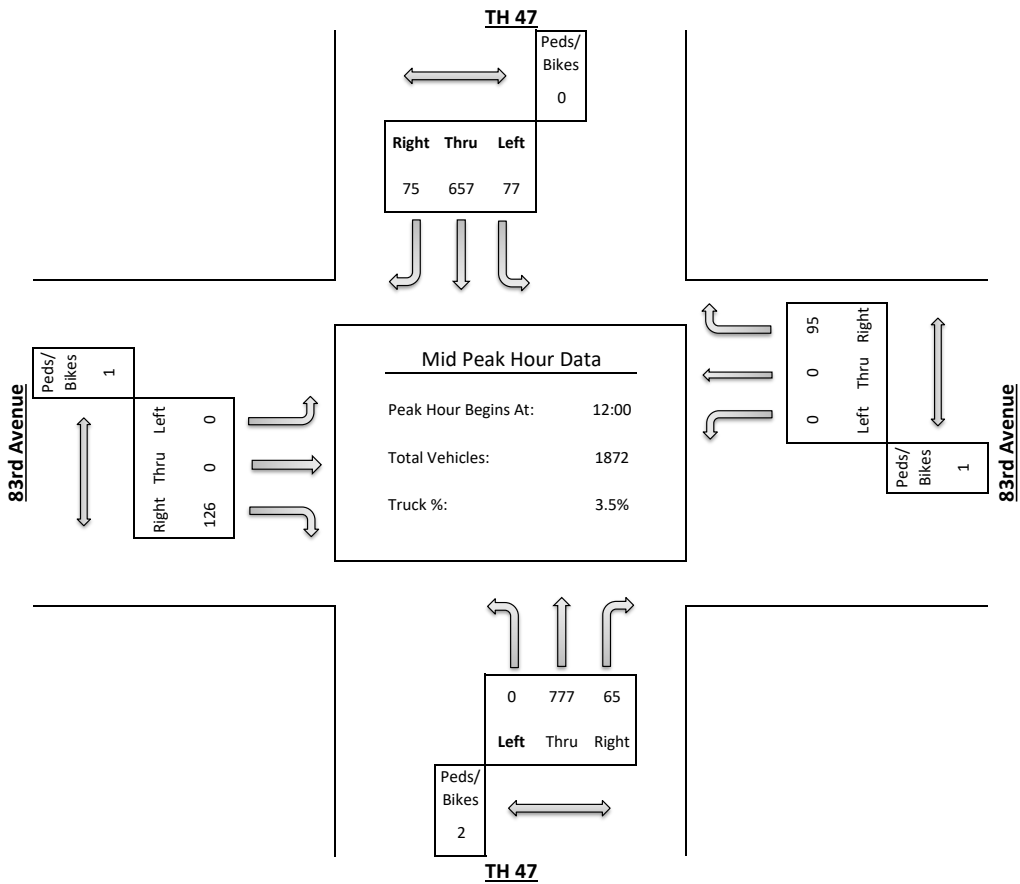
733 S Marquette Ave #700, Minneapolis, MN 55402

Intersection: TH 47 & 83rd Avenue  
 Date: 3/21/2024  
 Duration: 0600-1800

Site Code: 6145  
 Ref Pt: N/A  
 Page No: 3 of 4

All Vehicles (Cars & Trucks) Printed

Start Time	TH 47 Southbound						83rd Avenue Westbound						TH 47 Northbound						83rd Avenue Eastbound						Int. Veh. Total	Int. Ped/Bike Total
	U-Turn	Left	Thru	Right	App. Total	Peds/Bikes	U-Turn	Left	Thru	Right	App. Total	Peds/Bikes	U-Turn	Left	Thru	Right	App. Total	Peds/Bikes	U-Turn	Left	Thru	Right	App. Total	Peds/Bikes		
12:00	--	29	160	13	202	--	--	--	--	24	24	1	--	--	228	22	250	--	--	--	--	29	29	--	505	1
12:15	--	21	159	18	198	--	--	--	--	20	20	--	--	--	162	16	178	--	--	--	--	32	32	--	428	--
12:30	--	10	157	16	183	--	--	--	--	19	19	--	--	--	193	12	205	--	--	--	--	24	24	1	431	1
12:45	--	17	181	28	226	--	--	--	--	32	32	--	--	--	194	15	209	2	--	--	--	41	41	--	508	2
Hour Total	--	77	657	75	809	--	--	--	--	95	95	1	--	--	777	65	842	2	--	--	--	126	126	1	1872	4
% of App.	0.0%	9.5%	81.2%	9.3%			0.0%	0.0%	0.0%	100%			0.0%	0.0%	92.3%	7.7%			0.0%	0.0%	0.0%	100%				
% of Total	0.0%	4.1%	35.1%	4.0%	43.2%	0.0%	0.0%	0.0%	0.0%	5.1%	5.1%	25.0%	0.0%	0.0%	41.5%	3.5%	45.0%	50.0%	0.0%	0.0%	0.0%	6.7%	6.7%	25.0%		
Cars Total	--	77	627	72	776	--	--	--	--	93	93	1	--	--	750	64	814	2	--	--	--	124	124	1	1807	4
Cars % of Movement	0.0%	100%	95.4%	96.0%	95.9%	0.0%	0.0%	0.0%	0.0%	97.9%	97.9%	25.0%	0.0%	0.0%	96.5%	98.5%	96.7%	50.0%	0.0%	0.0%	0.0%	98.4%	98.4%	25.0%	96.5%	
Trucks Total	--	--	30	3	33	--	--	--	--	2	2	--	--	--	27	1	28	--	--	--	--	2	2	--	65	--
Trucks % of Movement	0.0%	0.0%	4.6%	4.0%	4.1%	--	0.0%	0.0%	0.0%	2.1%	2.1%	--	0.0%	0.0%	3.5%	1.5%	3.3%	--	0.0%	0.0%	0.0%	1.6%	1.6%	--	3.5%	



# ALLIANT ENGINEERING, INC.

733 S Marquette Ave #700, Minneapolis, MN 55402

Intersection: TH 47 & 83rd Avenue  
 Date: 3/21/2024  
 Duration: 0600-1800

Site Code: 6145  
 Ref Pt: N/A  
 Page No: 4 of 4

All Vehicles (Cars & Trucks) Printed

Start Time	TH 47 Southbound						83rd Avenue Westbound						TH 47 Northbound						83rd Avenue Eastbound						Int. Veh. Total	Int. Ped/Bike Total
	U-Turn	Left	Thru	Right	App. Total	Peds/Bikes	U-Turn	Left	Thru	Right	App. Total	Peds/Bikes	U-Turn	Left	Thru	Right	App. Total	Peds/Bikes	U-Turn	Left	Thru	Right	App. Total	Peds/Bikes		
16:00	1	18	186	22	227	--	--	--	--	24	24	--	--	--	367	19	386	--	--	--	--	41	41	1	678	1
16:15	--	20	191	31	242	--	--	--	--	22	22	--	--	--	370	22	392	--	--	--	--	34	34	1	690	1
16:30	--	16	200	29	245	--	--	--	--	36	36	--	--	--	357	13	370	--	--	--	--	32	32	--	683	--
16:45	--	26	194	23	243	--	--	--	--	17	17	--	--	--	337	12	349	--	--	--	--	40	40	--	649	--
Hour Total	1	80	771	105	957	--	--	--	--	99	99	--	--	--	1431	66	1497	--	--	--	--	147	147	2	2700	2
% of App.	0.1%	8.4%	80.6%	11.0%			0.0%	0.0%	0.0%	100%			0.0%	0.0%	95.6%	4.4%			0.0%	0.0%	0.0%	100%				
% of Total	0.0%	3.0%	28.6%	3.9%	35.4%	0.0%	0.0%	0.0%	0.0%	3.7%	3.7%	0.0%	0.0%	0.0%	53.0%	2.4%	55.4%	0.0%	0.0%	0.0%	0.0%	5.4%	5.4%	#####		
Cars Total	1	80	748	101	930	--	--	--	--	98	98	--	--	--	1419	66	1485	--	--	--	--	146	146	2	2659	2
Cars % of Movement	100%	100%	97.0%	96.2%	97.2%	0.0%	0.0%	0.0%	0.0%	99.0%	99.0%	0.0%	0.0%	0.0%	99.2%	100%	99.2%	0.0%	0.0%	0.0%	0.0%	99.3%	99.3%	#####	98.5%	
Trucks Total	--	--	23	4	27	--	--	--	--	1	1	--	--	--	12	--	12	--	--	--	--	1	1	--	41	--
Trucks % of Movement	0.0%	0.0%	3.0%	3.8%	2.8%	--	0.0%	0.0%	0.0%	1.0%	1.0%	--	0.0%	0.0%	0.8%	0.0%	0.8%	--	0.0%	0.0%	0.0%	0.7%	0.7%	--	1.5%	

