



# MINNESOTA DEPT OF TRANSPORTATION

## TRAFFIC DATA COLLECTION - METRO

Location: TH-5 AT CHERRY ST. WACONIA  
 Ref.Pt.: 031.711  
 JAMAR# 632 DR  
 TURN MOVEMENT COUNT

File Name : TH-5 AT CHERRY ST. WACONIA  
 Site Code : 00000000  
 Start Date : 6/30/2010  
 Page No : 1

### Groups Printed- Unshifted

Start Time	CHERRY ST Southbound				TH 5 Westbound				CHERRY ST Northbound				TH 5 Eastbound				Int. Total
	Left	Thru	Right	Peds	Left	Thru	Right	Peds	Left	Thru	Right	Peds	Left	Thru	Right	Peds	
06:00	1	0	2	0	0	22	5	0	0	0	0	0	11	63	0	0	104
06:15	1	0	2	0	0	19	9	0	0	0	0	0	21	81	0	0	133
06:30	4	0	2	0	0	22	14	0	0	0	0	0	30	107	0	0	179
06:45	8	0	3	0	0	39	23	0	0	0	0	0	46	117	0	0	236
Total	14	0	9	0	0	102	51	0	0	0	0	0	108	368	0	0	652
07:00	9	0	5	0	0	34	6	0	0	0	0	0	18	138	0	0	210
07:15	4	0	9	0	0	37	19	0	0	0	0	0	28	132	0	0	229
07:30	4	0	24	0	0	59	16	0	0	0	0	0	24	134	0	0	261
07:45	3	0	3	0	0	63	19	0	0	0	0	0	60	146	0	0	294
Total	20	0	41	0	0	193	60	0	0	0	0	0	130	550	0	0	994
08:00	3	0	7	0	0	48	12	0	0	0	0	0	28	133	0	0	231
08:15	2	0	11	0	1	70	17	0	0	0	0	0	32	108	0	0	241
08:30	5	0	10	0	0	63	23	0	0	0	0	0	33	106	0	0	240
08:45	10	0	9	0	0	73	14	0	0	0	0	0	46	105	0	0	257
Total	20	0	37	0	1	254	66	0	0	0	0	0	139	452	0	0	969
*** BREAK ***																	
14:30	12	0	39	0	0	119	10	0	0	0	0	0	18	85	0	0	283
14:45	11	0	24	0	0	114	19	0	0	0	0	0	29	97	0	0	294
Total	23	0	63	0	0	233	29	0	0	0	0	0	47	182	0	0	577
15:00	11	0	30	0	0	134	9	0	0	0	0	0	15	90	0	0	289
15:15	15	0	26	0	0	142	13	0	0	0	0	0	25	76	0	0	297
15:30	17	0	43	0	0	149	12	0	0	0	0	0	21	95	0	0	337
15:45	16	0	32	0	0	149	14	0	0	0	0	0	31	87	0	0	329
Total	59	0	131	0	0	574	48	0	0	0	0	0	92	348	0	0	1252
16:00	21	0	44	0	0	150	15	0	0	0	0	0	31	107	0	0	368
16:15	9	0	33	0	0	157	9	0	0	0	0	0	12	102	0	0	322
16:30	22	0	16	0	0	182	13	0	0	0	0	0	17	116	0	0	366
16:45	15	0	38	0	0	222	12	0	0	0	0	0	20	123	0	0	430
Total	67	0	131	0	0	711	49	0	0	0	0	0	80	448	0	0	1486
17:00	10	0	42	0	0	223	6	0	0	0	0	0	15	135	0	0	431
17:15	16	0	29	0	0	184	2	0	0	0	0	0	5	106	0	0	342
17:30	14	0	46	0	0	209	8	0	0	0	0	0	9	118	0	0	404
17:45	5	0	16	0	2	165	4	0	0	0	0	0	8	111	0	0	311
Total	45	0	133	0	2	781	20	0	0	0	0	0	37	470	0	0	1488
Grand Total	248	0	545	0	3	2848	323	0	0	0	0	0	633	2818	0	0	7418
Apprch %	31.3	0	68.7	0	0.1	89.7	10.2	0	0	0	0	0	18.3	81.7	0	0	
Total %	3.3	0	7.3	0	0	38.4	4.4	0	0	0	0	0	8.5	38	0	0	



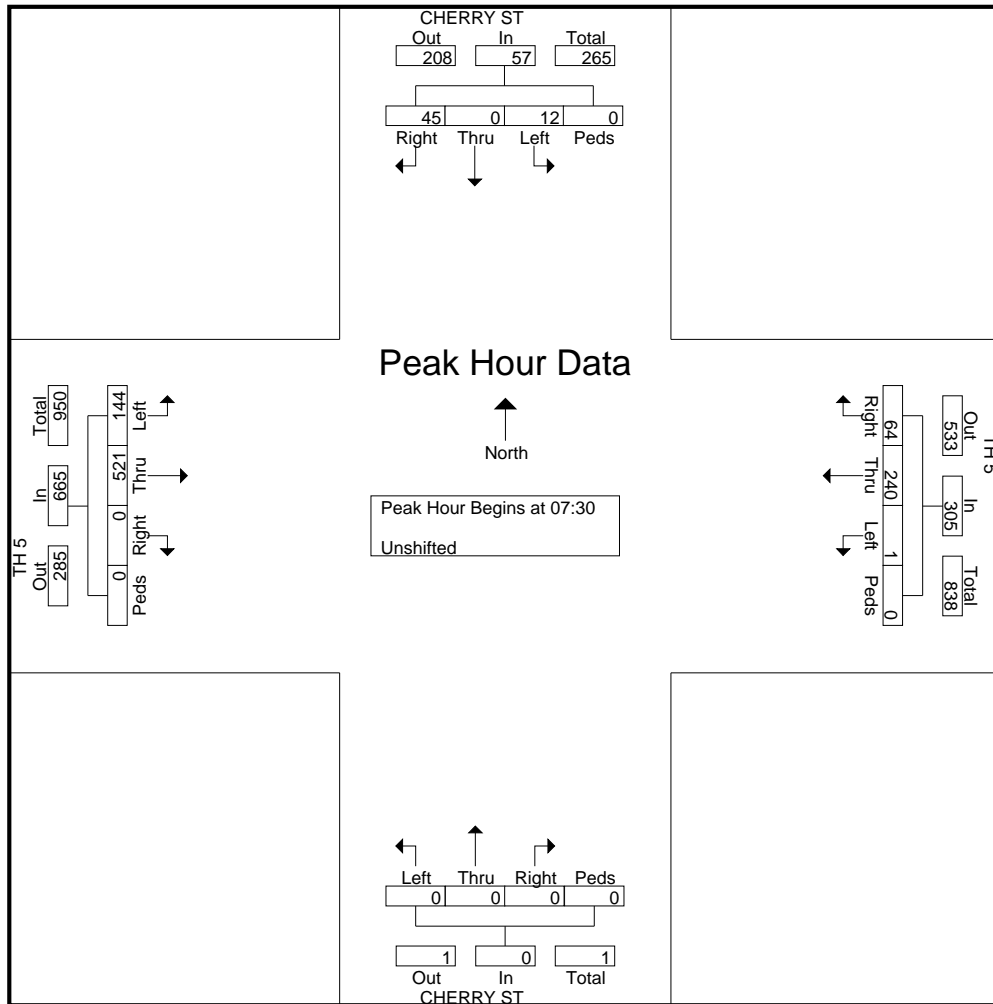
# MINNESOTA DEPT OF TRANSPORTATION

## TRAFFIC DATA COLLECTION - METRO

Location: TH-5 AT CHERRY ST. WACONIA  
 Ref.Pt.: 031.711  
 JAMAR# 632 DR  
 TURN MOVEMENT COUNT

File Name : TH-5 AT CHERRY ST. WACONIA  
 Site Code : 00000000  
 Start Date : 6/30/2010  
 Page No : 2

Start Time	CHERRY ST Southbound					TH 5 Westbound					CHERRY ST Northbound					TH 5 Eastbound					Int. Total
	Left	Thru	Right	Peds	App. Total	Left	Thru	Right	Peds	App. Total	Left	Thru	Right	Peds	App. Total	Left	Thru	Right	Peds	App. Total	
<b>Peak Hour Analysis From 06:00 to 08:45 - Peak 1 of 1</b>																					
Peak Hour for Entire Intersection Begins at 07:30																					
07:30	4	0	24	0	28	0	59	16	0	75	0	0	0	0	0	24	134	0	0	158	261
07:45	3	0	3	0	6	0	63	19	0	82	0	0	0	0	0	60	146	0	0	206	294
08:00	3	0	7	0	10	0	48	12	0	60	0	0	0	0	0	28	133	0	0	161	231
08:15	2	0	11	0	13	1	70	17	0	88	0	0	0	0	0	32	108	0	0	140	241
Total Volume	12	0	45	0	57	1	240	64	0	305	0	0	0	0	0	144	521	0	0	665	1027
% App. Total																					
PHF	.750	.000	.469	.000	.509	.250	.857	.842	.000	.866	.000	.000	.000	.000	.000	.600	.892	.000	.000	.807	.873





# MINNESOTA DEPT OF TRANSPORTATION

## TRAFFIC DATA COLLECTION - METRO

Location: TH-5 AT CHERRY ST. WACONIA  
 Ref.Pt.: 031.711  
 JAMAR# 632 DR  
 TURN MOVEMENT COUNT

File Name : TH-5 AT CHERRY ST. WACONIA  
 Site Code : 00000000  
 Start Date : 6/30/2010  
 Page No : 3

Start Time	CHERRY ST Southbound					TH 5 Westbound					CHERRY ST Northbound					TH 5 Eastbound					Int. Total
	Left	Thru	Right	Peds	App. Total	Left	Thru	Right	Peds	App. Total	Left	Thru	Right	Peds	App. Total	Left	Thru	Right	Peds	App. Total	
Peak Hour Analysis From 14:30 to 17:45 - Peak 1 of 1																					
Peak Hour for Entire Intersection Begins at 16:45																					
16:45	15	0	38	0	53	0	222	12	0	234	0	0	0	0	0	20	123	0	0	143	430
17:00	10	0	42	0	52	0	223	6	0	229	0	0	0	0	0	15	135	0	0	150	431
17:15	16	0	29	0	45	0	184	2	0	186	0	0	0	0	0	5	106	0	0	111	342
17:30	14	0	46	0	60	0	209	8	0	217	0	0	0	0	0	9	118	0	0	127	404
Total Volume	55	0	155	0	210	0	838	28	0	866	0	0	0	0	0	49	482	0	0	531	1607
% App. Total																					
PHF	.859	.000	.842	.000	.875	.000	.939	.583	.000	.925	.000	.000	.000	.000	.000	.613	.893	.000	.000	.885	.932

