



MINNESOTA DEPT OF TRANSPORTATION

TRAFFIC DATA COLLECTION - METRO

Eden Prairie Rd/CSAH-4 at Timber Lake Dr File Name : Eden Prairie Rd CSAH-4 at Timber Lake Dr 2008
 Ref.Pt.: Site Code : 18052516
 Data by: Westwood Professional Services Start Date : 9/16/2008
 TURN MOVEMENT COUNT Page No : 1

Groups Printed- Unshifted

Start Time	Eden Prairie Rd. / CSAH-4 Southbound				Timber Lake Dr. Westbound				Eden Prairie Rd. / CSAH-4 Northbound				Timber Lake Dr. Eastbound				Int. Total
	Left	Thru	Right	Peds	Left	Thru	Right	Peds	Left	Thru	Right	Peds	Left	Thru	Right	Peds	
06:00	0	18	1	0	0	0	1	0	7	33	0	0	2	0	9	0	71
06:15	0	23	2	0	0	0	0	0	6	39	1	0	5	0	9	0	85
06:30	0	33	1	0	0	0	1	0	9	68	0	0	11	0	6	0	129
06:45	0	37	2	0	0	0	0	0	8	98	1	0	16	0	16	0	178
Total	0	111	6	0	0	0	2	0	30	238	2	0	34	0	40	0	463
07:00	0	41	6	0	0	0	0	0	8	128	0	0	19	0	14	0	216
07:15	0	82	2	0	0	0	1	0	6	217	0	0	21	0	17	0	346
07:30	0	82	3	0	0	0	1	0	9	137	0	0	20	0	11	0	263
07:45	1	89	4	0	0	0	1	0	8	83	0	0	10	0	12	0	208
Total	1	294	15	0	0	0	3	0	31	565	0	0	70	0	54	0	1033
08:00	0	75	3	0	0	0	0	0	5	108	0	0	8	0	10	0	209
08:15	0	94	7	0	0	0	2	0	10	133	1	0	7	0	14	0	268
08:30	0	84	6	0	0	0	0	0	10	100	0	0	12	0	8	0	220
08:45	0	60	5	0	0	0	0	0	7	94	1	0	9	0	5	0	181
Total	0	313	21	0	0	0	2	0	32	435	2	0	36	0	37	0	878
*** BREAK ***																	
11:00	0	57	5	0	0	1	0	0	6	53	1	0	5	0	5	0	133
11:15	1	52	9	0	0	0	0	0	4	43	0	0	8	0	4	0	121
11:30	1	69	4	0	0	0	0	0	6	43	2	0	3	0	6	0	134
11:45	0	72	1	0	0	0	0	0	5	49	0	0	9	0	1	0	137
Total	2	250	19	0	0	1	0	0	21	188	3	0	25	0	16	0	525
12:00	0	49	7	0	0	0	0	0	8	58	0	0	6	0	7	0	135
12:15	0	56	7	0	0	0	0	0	4	53	0	0	6	0	3	0	129
12:30	0	74	4	0	0	0	0	0	6	53	0	0	8	0	5	0	150
12:45	0	60	7	0	0	0	0	0	5	58	0	0	8	0	7	0	145
Total	0	239	25	0	0	0	0	0	23	222	0	0	28	0	22	0	559
*** BREAK ***																	
15:00	2	116	8	0	0	0	0	0	2	69	0	0	2	0	6	0	205
15:15	1	72	6	0	0	1	0	0	10	66	1	0	5	0	5	0	167
15:30	1	82	7	0	0	0	1	0	14	96	0	0	7	0	8	0	216
15:45	0	98	11	0	0	0	1	0	9	87	0	0	6	0	7	0	219
Total	4	368	32	0	0	1	2	0	35	318	1	0	20	0	26	0	807
16:00	0	95	10	0	0	0	0	0	11	90	0	0	8	0	7	0	221
16:15	0	99	11	0	0	0	0	0	18	113	0	0	5	0	5	0	251
16:30	0	113	9	0	0	0	1	0	13	95	0	0	4	0	8	0	243
16:45	2	142	6	0	0	0	3	0	14	91	1	0	9	0	7	0	275
Total	2	449	36	0	0	0	4	0	56	389	1	0	26	0	27	0	990
17:00	0	144	11	0	0	0	2	0	17	101	0	0	8	0	4	0	287
17:15	0	126	18	0	1	0	1	0	18	121	1	0	10	0	9	0	305
17:30	2	167	12	1	0	0	0	0	17	152	0	0	9	0	9	0	369
17:45	0	143	16	0	0	0	0	0	6	130	0	0	6	0	6	0	307
Total	2	580	57	1	1	0	3	0	58	504	1	0	33	0	28	0	1268
Grand Total	11	2604	211	1	1	2	16	0	286	2859	10	0	272	0	250	0	6523
Apprch %	0.4	92.1	7.5	0	5.3	10.5	84.2	0	9.1	90.6	0.3	0	52.1	0	47.9	0	
Total %	0.2	39.9	3.2	0	0	0	0.2	0	4.4	43.8	0.2	0	4.2	0	3.8	0	

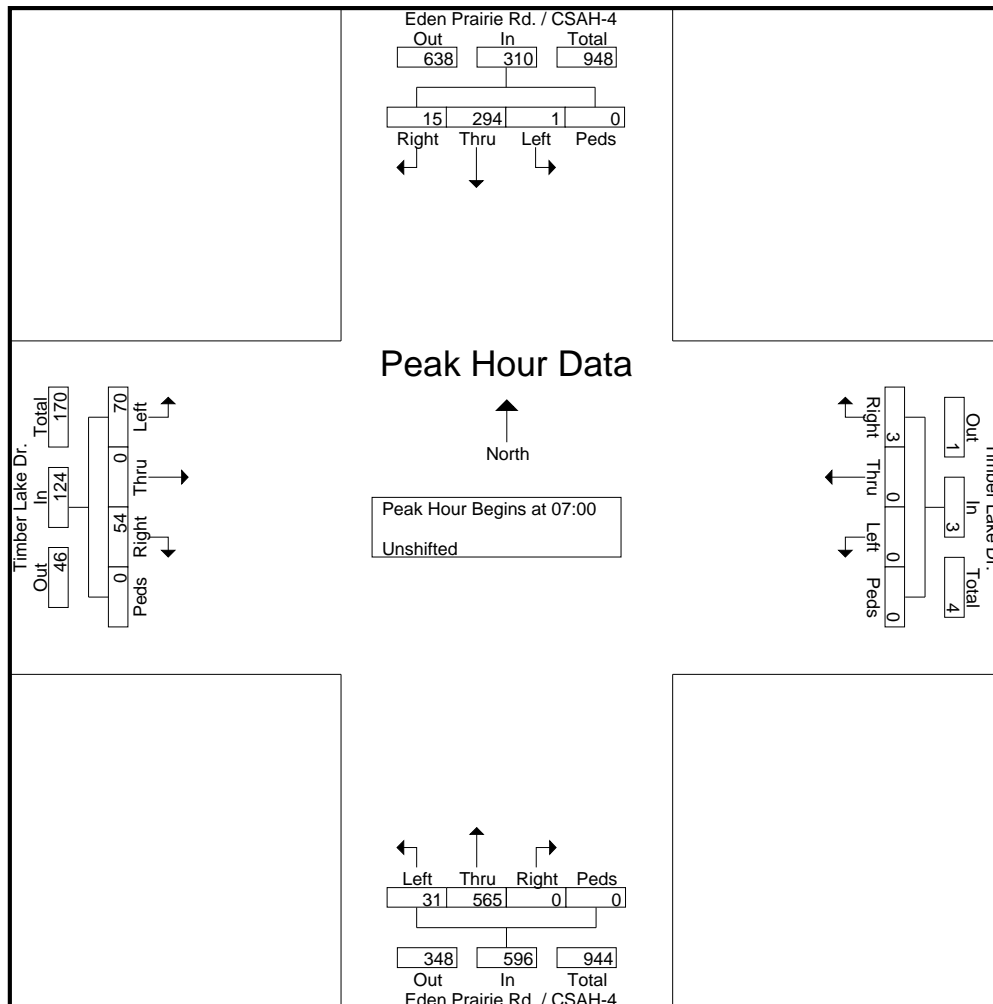


MINNESOTA DEPT OF TRANSPORTATION

TRAFFIC DATA COLLECTION - METRO

Eden Prairie Rd/CSAH-4 at Timber Lake Dr File Name : Eden Prairie Rd CSAH-4 at Timber Lake Dr 2008
 Ref.Pt.: Site Code : 18052516
 Data by: Westwood Professional Services Start Date : 9/16/2008
 TURN MOVEMENT COUNT Page No : 2

Start Time	Eden Prairie Rd. / CSAH-4 Southbound					Timber Lake Dr. Westbound					Eden Prairie Rd. / CSAH-4 Northbound					Timber Lake Dr. Eastbound					Int. Total
	Left	Thru	Right	Peds	App. Total	Left	Thru	Right	Peds	App. Total	Left	Thru	Right	Peds	App. Total	Left	Thru	Right	Peds	App. Total	
Peak Hour Analysis From 06:00 to 08:45 - Peak 1 of 1																					
Peak Hour for Entire Intersection Begins at 07:00																					
07:00	0	41	6	0	47	0	0	0	0	0	8	128	0	0	136	19	0	14	0	33	216
07:15	0	82	2	0	84	0	0	1	0	1	6	217	0	0	223	21	0	17	0	38	346
07:30	0	82	3	0	85	0	0	1	0	1	9	137	0	0	146	20	0	11	0	31	263
07:45	1	89	4	0	94	0	0	1	0	1	8	83	0	0	91	10	0	12	0	22	208
Total Volume	1	294	15	0	310	0	0	3	0	3	31	565	0	0	596	70	0	54	0	124	1033
% App. Total	0.3	94.8	4.8	0		0	0	100	0		5.2	94.8	0	0		56.5	0	43.5	0		
PHF	.250	.826	.625	.000	.824	.000	.000	.750	.000	.750	.861	.651	.000	.000	.668	.833	.000	.794	.000	.816	.746





MINNESOTA DEPT OF TRANSPORTATION

TRAFFIC DATA COLLECTION - METRO

Eden Prairie Rd/CSAH-4 at Timber Lake Dr
 File Name : Eden Prairie Rd CSAH-4 at Timber Lake Dr 2008
 Ref.Pt.: Site Code : 18052516
 Data by: Westwood Professional Services Start Date : 9/16/2008
 TURN MOVEMENT COUNT Page No : 3

Start Time	Eden Prairie Rd. / CSAH-4 Southbound					Timber Lake Dr. Westbound					Eden Prairie Rd. / CSAH-4 Northbound					Timber Lake Dr. Eastbound					Int. Total
	Left	Thru	Right	Peds	App. Total	Left	Thru	Right	Peds	App. Total	Left	Thru	Right	Peds	App. Total	Left	Thru	Right	Peds	App. Total	

Peak Hour Analysis From 15:00 to 17:45 - Peak 1 of 1

Peak Hour for Entire Intersection Begins at 17:00

17:00	0	144	11	0	155	0	0	2	0	2	17	101	0	0	118	8	0	4	0	12	287
17:15	0	126	18	0	144	1	0	1	0	2	18	121	1	0	140	10	0	9	0	19	305
17:30	2	167	12	1	182	0	0	0	0	0	17	152	0	0	169	9	0	9	0	18	369
17:45	0	143	16	0	159	0	0	0	0	0	6	130	0	0	136	6	0	6	0	12	307
Total Volume	2	580	57	1	640	1	0	3	0	4	58	504	1	0	563	33	0	28	0	61	1268
% App. Total	0.3	90.6	8.9	0.2		25	0	75	0		10.3	89.5	0.2	0		54.1	0	45.9	0		
PHF	.250	.868	.792	.250	.879	.250	.000	.375	.000	.500	.806	.829	.250	.000	.833	.825	.000	.778	.000	.803	.859

