



701 Xenia Ave S, Suite 300
 Minneapolis, MN 55416

TH 5 & St Paul Ave
 7-9am & 4-6pm
 vehicles, heavy trucks, bikes, peds
 day 1

File Name : site 6-TH 5 & St Paul Ave-day 1
 Site Code : 6
 Start Date : 3/22/2022
 Page No : 1

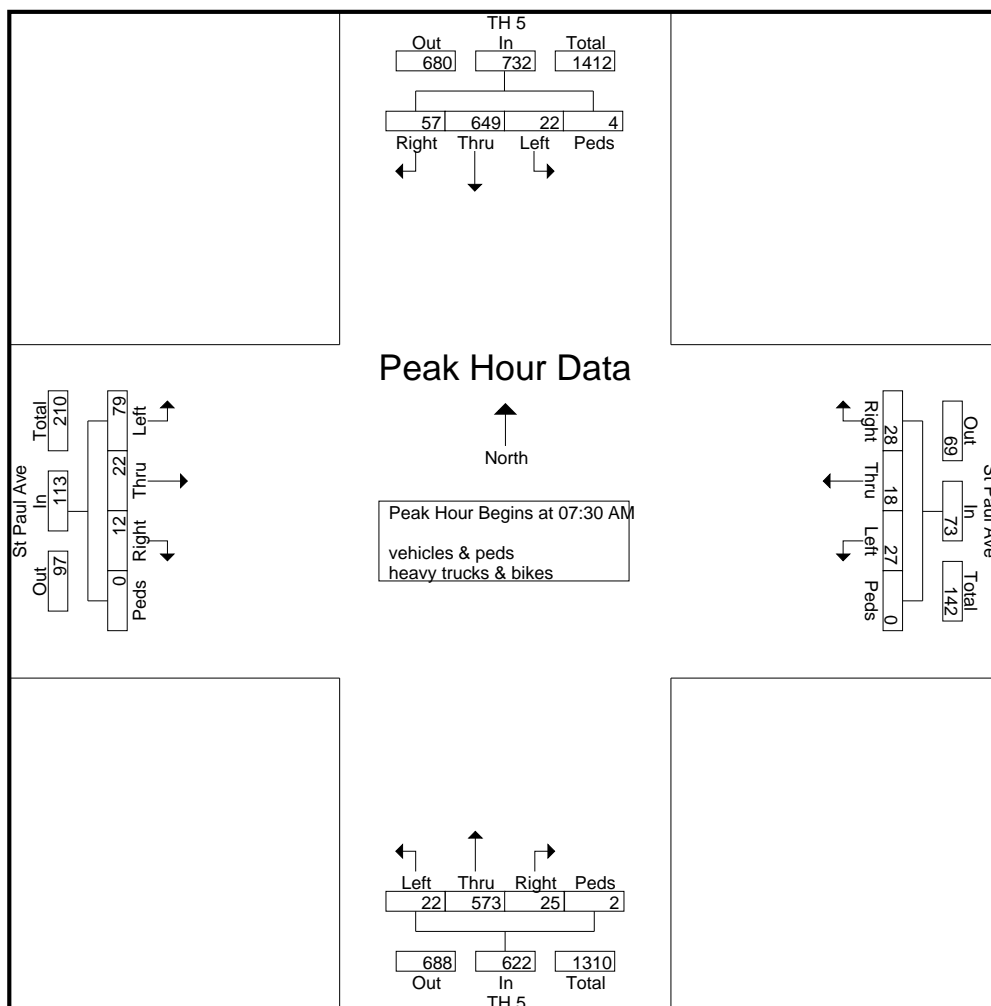
Groups Printed- vehicles & peds - heavy trucks & bikes

Start Time	TH 5 From North					St Paul Ave From East					TH 5 From South					St Paul Ave From West					Int. Total
	Right	Thru	Left	Peds	App. Total	Right	Thru	Left	Peds	App. Total	Right	Thru	Left	Peds	App. Total	Right	Thru	Left	Peds	App. Total	
07:00 AM	10	133	6	0	149	4	3	7	0	14	7	94	6	0	107	2	1	8	0	11	281
07:15 AM	8	143	7	0	158	3	4	10	0	17	5	125	1	0	131	3	2	16	0	21	327
07:30 AM	14	175	3	2	194	10	5	6	0	21	3	156	5	0	164	2	8	18	0	28	407
07:45 AM	13	175	4	0	192	10	5	9	0	24	8	162	4	2	176	4	3	14	0	21	413
Total	45	626	20	2	693	27	17	32	0	76	23	537	16	2	578	11	14	56	0	81	1428
08:00 AM	14	134	11	2	161	2	4	7	0	13	8	121	3	0	132	3	8	14	0	25	331
08:15 AM	16	165	4	0	185	6	4	5	0	15	6	134	10	0	150	3	3	33	0	39	389
08:30 AM	11	158	5	3	177	9	13	6	1	29	8	137	5	2	152	4	10	22	0	36	394
08:45 AM	19	133	11	0	163	8	11	5	1	25	11	137	6	1	155	3	5	29	0	37	380
Total	60	590	31	5	686	25	32	23	2	82	33	529	24	3	589	13	26	98	0	137	1494
04:00 PM	21	189	3	0	213	6	2	5	0	13	7	192	3	1	203	6	2	23	0	31	460
04:15 PM	22	213	5	1	241	2	10	3	0	15	5	184	9	1	199	9	6	32	1	48	503
04:30 PM	23	211	5	3	242	2	8	8	2	20	2	182	4	4	192	5	1	33	0	39	493
04:45 PM	21	204	6	4	235	3	5	5	0	13	2	223	6	0	231	3	9	21	0	33	512
Total	87	817	19	8	931	13	25	21	2	61	16	781	22	6	825	23	18	109	1	151	1968
05:00 PM	19	220	1	3	243	8	4	6	0	18	7	194	5	0	206	4	3	29	0	36	503
05:15 PM	15	178	3	0	196	6	6	6	2	20	8	229	5	2	244	5	7	18	0	30	490
05:30 PM	18	182	3	0	203	2	3	5	0	10	4	228	3	0	235	3	3	23	0	29	477
05:45 PM	16	198	4	1	219	0	6	4	0	10	6	215	6	2	229	3	7	18	0	28	486
Total	68	778	11	4	861	16	19	21	2	58	25	866	19	4	914	15	20	88	0	123	1956
Grand Total	260	2811	81	19	3171	81	93	97	6	277	97	2713	81	15	2906	62	78	351	1	492	6846
Apprch %	8.2	88.6	2.6	0.6		29.2	33.6	35	2.2		3.3	93.4	2.8	0.5		12.6	15.9	71.3	0.2		
Total %	3.8	41.1	1.2	0.3	46.3	1.2	1.4	1.4	0.1	4	1.4	39.6	1.2	0.2	42.4	0.9	1.1	5.1	0	7.2	
vehicles & peds	260	2799	81	19	3159	81	93	97	5	276	97	2709	81	15	2902	62	78	351	1	492	6829
% vehicles & peds	100	99.6	100	100	99.6	100	100	100	83.3	99.6	100	99.9	100	100	99.9	100	100	100	100	100	99.8
heavy trucks & bikes	0	12	0	0	12	0	0	0	1	1	0	4	0	0	4	0	0	0	0	0	17
% heavy trucks & bikes	0	0.4	0	0	0.4	0	0	0	16.7	0.4	0	0.1	0	0	0.1	0	0	0	0	0	0.2

TH 5 & St Paul Ave
 7-9am & 4-6pm
 vehicles, heavy trucks, bikes, peds
 day 1

File Name : site 6-TH 5 & St Paul Ave-day 1
 Site Code : 6
 Start Date : 3/22/2022
 Page No : 2

Start Time	TH 5 From North					St Paul Ave From East					TH 5 From South					St Paul Ave From West					Int. Total
	Rig ht	Thr u	Left	Ped s	App. Total	Rig ht	Thr u	Left	Ped s	App. Total	Rig ht	Thr u	Left	Ped s	App. Total	Rig ht	Thr u	Left	Ped s	App. Total	
Peak Hour Analysis From 07:00 AM to 11:45 AM - Peak 1 of 1																					
Peak Hour for Entire Intersection Begins at 07:30 AM																					
07:30 AM	14	175	3	2	194	10	5	6	0	21	3	156	5	0	164	2	8	18	0	28	407
07:45 AM	13	175	4	0	192	10	5	9	0	24	8	162	4	2	176	4	3	14	0	21	413
08:00 AM	14	134	11	2	161	2	4	7	0	13	8	121	3	0	132	3	8	14	0	25	331
08:15 AM	16	165	4	0	185	6	4	5	0	15	6	134	10	0	150	3	3	33	0	39	389
Total Volume	57	649	22	4	732	28	18	27	0	73	25	573	22	2	622	12	22	79	0	113	1540
% App. Total	7.8	88.7	3	0.5		38.4	24.7	37	0		4	92.1	3.5	0.3		10.6	19.5	69.9	0		
PHF	.891	.927	.500	.500	.943	.700	.900	.750	.000	.760	.781	.884	.550	.250	.884	.750	.688	.598	.000	.724	.932



TH 5 & St Paul Ave
7-9am & 4-6pm
vehicles, heavy trucks, bikes, peds
day 1

File Name : site 6-TH 5 & St Paul Ave-day 1
Site Code : 6
Start Date : 3/22/2022
Page No : 3

Start Time	TH 5 From North					St Paul Ave From East					TH 5 From South					St Paul Ave From West					Int. Total
	Rig ht	Thr u	Left	Ped s	App. Total	Rig ht	Thr u	Left	Ped s	App. Total	Right	Thr u	Left	Peds	App. Total	Right	Thr u	Left	Peds	App. Total	
Peak Hour Analysis From 12:00 PM to 05:45 PM - Peak 1 of 1																					
Peak Hour for Entire Intersection Begins at 04:15 PM																					
04:15 PM	22	213	5	1	241	2	10	3	0	15	5	184	9	1	199	9	6	32	1	48	503
04:30 PM	23	211	5	3	242	2	8	8	2	20	2	182	4	4	192	5	1	33	0	39	493
04:45 PM	21	204	6	4	235	3	5	5	0	13	2	223	6	0	231	3	9	21	0	33	512
05:00 PM	19	220	1	3	243	8	4	6	0	18	7	194	5	0	206	4	3	29	0	36	503
Total Volume	85	848	17	11	961	15	27	22	2	66	16	783	24	5	828	21	19	115	1	156	2011
% App. Total	8.8	88.2	1.8	1.1		22.7	40.9	33.3	3		1.9	94.6	2.9	0.6		13.5	12.2	73.7	0.6		
PHF	.924	.964	.708	.688	.989	.469	.675	.688	.250	.825	.571	.878	.667	.313	.896	.583	.528	.871	.250	.813	.982

