



701 Xenia Ave S, Suite 300  
 Minneapolis, MN 55416

TH 5 & Snelling Ave/Springfield  
 7-9am & 4-6pm  
 vehicles, heavy trucks, bikes, peds  
 day 2

File Name : site 8-TH 5 & Snelling-day 2  
 Site Code : 8  
 Start Date : 3/23/2022  
 Page No : 1

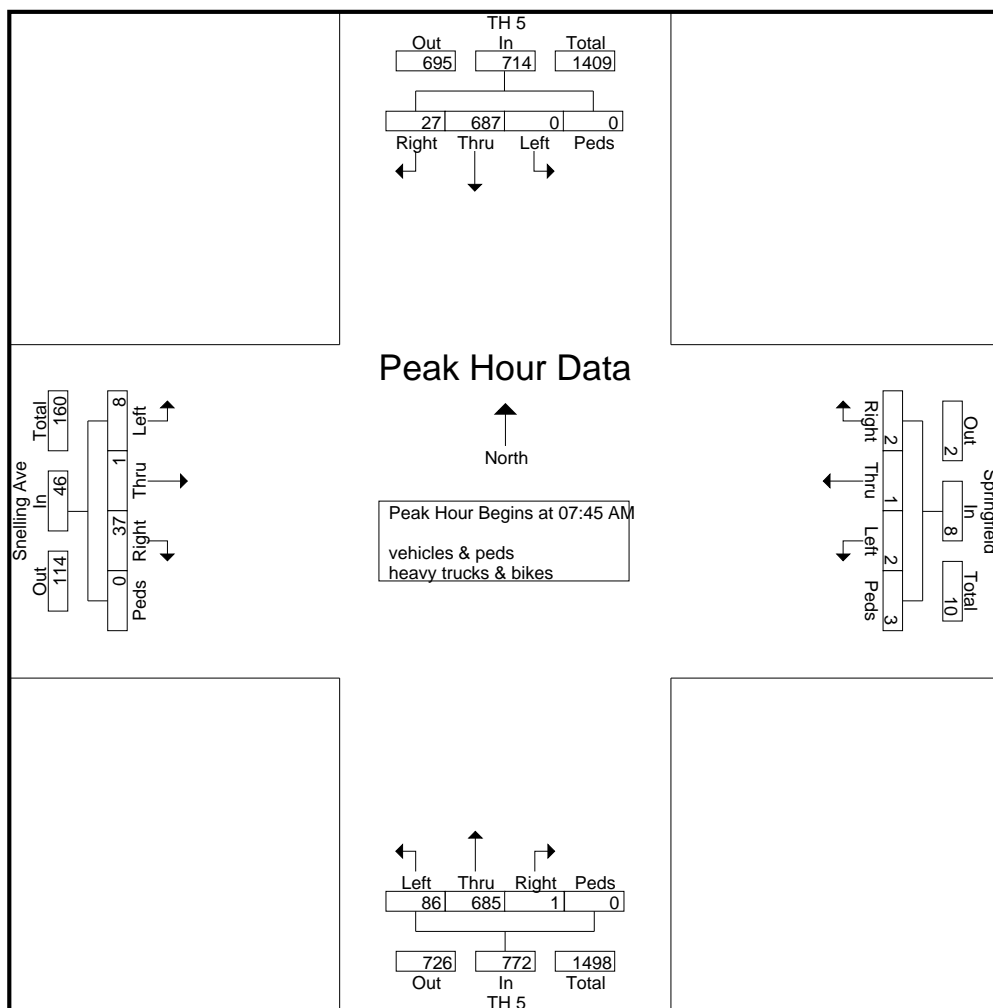
Groups Printed- vehicles & peds - heavy trucks & bikes

Start Time	TH 5 From North					Springfield From East					TH 5 From South					Snelling Ave From West					Int. Total
	Right	Thru	Left	Peds	App. Total	Right	Thru	Left	Peds	App. Total	Right	Thru	Left	Peds	App. Total	Right	Thru	Left	Peds	App. Total	
07:00 AM	0	129	0	0	129	0	0	3	0	3	1	136	10	0	147	6	0	0	0	6	285
07:15 AM	2	188	0	0	190	2	0	0	0	2	1	149	12	0	162	6	0	0	0	6	360
07:30 AM	1	173	0	0	174	0	1	0	1	2	0	171	15	0	186	8	0	2	0	10	372
07:45 AM	3	177	0	0	180	0	0	1	2	3	0	197	19	0	216	9	0	0	0	9	408
Total	6	667	0	0	673	2	1	4	3	10	2	653	56	0	711	29	0	2	0	31	1425
08:00 AM	5	150	0	0	155	0	0	0	1	1	0	166	25	0	191	15	1	1	0	17	364
08:15 AM	11	184	0	0	195	1	1	0	0	2	0	158	22	0	180	6	0	3	0	9	386
08:30 AM	8	176	0	0	184	1	0	1	0	2	1	164	20	0	185	7	0	4	0	11	382
08:45 AM	3	157	1	0	161	5	1	0	1	7	0	171	8	0	179	7	1	1	0	9	356
Total	27	667	1	0	695	7	2	1	2	12	1	659	75	0	735	35	2	9	0	46	1488
04:00 PM	6	194	0	0	200	0	0	0	0	0	0	197	13	0	210	12	2	3	0	17	427
04:15 PM	10	233	0	0	243	2	0	1	1	4	1	201	20	0	222	17	1	3	0	21	490
04:30 PM	1	224	0	0	225	1	2	1	3	7	2	192	24	0	218	18	0	1	0	19	469
04:45 PM	2	192	0	0	194	0	1	0	2	3	0	203	25	0	228	19	0	1	0	20	445
Total	19	843	0	0	862	3	3	2	6	14	3	793	82	0	878	66	3	8	0	77	1831
05:00 PM	2	220	1	0	223	1	1	1	0	3	2	219	21	0	242	21	0	2	0	23	491
05:15 PM	5	206	0	0	211	1	2	0	0	3	1	262	26	0	289	15	1	4	0	20	523
05:30 PM	1	164	0	0	165	1	0	0	1	2	1	276	13	0	290	19	0	2	0	21	478
05:45 PM	6	169	0	0	175	0	0	0	1	1	0	217	24	0	241	15	0	1	0	16	433
Total	14	759	1	0	774	3	3	1	2	9	4	974	84	0	1062	70	1	9	0	80	1925
Grand Total	66	2936	2	0	3004	15	9	8	13	45	10	3079	297	0	3386	200	6	28	0	234	6669
Apprch %	2.2	97.7	0.1	0		33.3	20	17.8	28.9		0.3	90.9	8.8	0		85.5	2.6	12	0		
Total %	1	44	0	0	45	0.2	0.1	0.1	0.2	0.7	0.1	46.2	4.5	0	50.8	3	0.1	0.4	0	3.5	
vehicles & peds	66	2929	2	0	2997	15	9	8	12	44	10	3070	297	0	3377	200	6	28	0	234	6652
% vehicles & peds	100	99.8	100	0	99.8	100	100	100	92.3	97.8	100	99.7	100	0	99.7	100	100	100	0	100	99.7
heavy trucks & bikes	0	7	0	0	7	0	0	0	1	1	0	9	0	0	9	0	0	0	0	0	17
% heavy trucks & bikes	0	0.2	0	0	0.2	0	0	0	7.7	2.2	0	0.3	0	0	0.3	0	0	0	0	0	0.3

TH 5 & Snelling Ave/Springfield  
7-9am & 4-6pm  
vehicles, heavy trucks, bikes, peds  
day 2

File Name : site 8-TH 5 & Snelling-day 2  
Site Code : 8  
Start Date : 3/23/2022  
Page No : 2

Start Time	TH 5 From North					Springfield From East					TH 5 From South					Snelling Ave From West					Int. Total
	Rig ht	Thr u	Left	Ped s	App. Total	Rig ht	Thr u	Left	Ped s	App. Total	Rig ht	Thr u	Left	Ped s	App. Total	Rig ht	Thr u	Left	Ped s	App. Total	
Peak Hour Analysis From 07:00 AM to 11:45 AM - Peak 1 of 1																					
Peak Hour for Entire Intersection Begins at 07:45 AM																					
07:45 AM	3	177	0	0	180	0	0	1	2	3	0	197	19	0	216	9	0	0	0	9	408
08:00 AM	5	150	0	0	155	0	0	0	1	1	0	166	25	0	191	15	1	1	0	17	364
08:15 AM	11	184	0	0	195	1	1	0	0	2	0	158	22	0	180	6	0	3	0	9	386
08:30 AM	8	176	0	0	184	1	0	1	0	2	1	164	20	0	185	7	0	4	0	11	382
Total Volume	27	687	0	0	714	2	1	2	3	8	1	685	86	0	772	37	1	8	0	46	1540
% App. Total	3.8	96.2	0	0		25	12.5	25	37.5		0.1	88.7	11.1	0		80.4	2.2	17.4	0		
PHF	.614	.933	.000	.000	.915	.500	.250	.500	.375	.667	.250	.869	.860	.000	.894	.617	.250	.500	.000	.676	.944



TH 5 & Snelling Ave/Springfield  
 7-9am & 4-6pm  
 vehicles, heavy trucks, bikes, peds  
 day 2

File Name : site 8-TH 5 & Snelling-day 2  
 Site Code : 8  
 Start Date : 3/23/2022  
 Page No : 3

Start Time	TH 5 From North					Springfield From East					TH 5 From South					Snelling Ave From West					Int. Total
	Rig ht	Thr u	Left	Ped s	App. Total	Rig ht	Thr u	Left	Ped s	App. Total	Right	Thr u	Left	Peds	App. Total	Right	Thr u	Left	Peds	App. Total	
Peak Hour Analysis From 12:00 PM to 05:45 PM - Peak 1 of 1																					
Peak Hour for Entire Intersection Begins at 04:45 PM																					
04:45 PM	2	192	0	0	194	0	1	0	2	3	0	203	25	0	228	19	0	1	0	20	445
05:00 PM	2	220	1	0	223	1	1	1	0	3	2	219	21	0	242	21	0	2	0	23	491
05:15 PM	5	206	0	0	211	1	2	0	0	3	1	262	26	0	289	15	1	4	0	20	523
05:30 PM	1	164	0	0	165	1	0	0	1	2	1	276	13	0	290	19	0	2	0	21	478
Total Volume	10	782	1	0	793	3	4	1	3	11	4	960	85	0	1049	74	1	9	0	84	1937
% App. Total	1.3	98.6	0.1	0		27.3	36.4	9.1	27.3		0.4	91.5	8.1	0		88.1	1.2	10.7	0		
PHF	.500	.889	.250	.000	.889	.750	.500	.250	.375	.917	.500	.870	.817	.000	.904	.881	.250	.563	.000	.913	.926

