



701 Xenia Ave S, Suite 300
 Minneapolis, MN 55416

TH 5 & Montreal Ave
 7-9am & 4-6pm
 vehicles, heavy trucks, peds
 day 1

File Name : site 12-TH 5 & Montreal Ave-day 1
 Site Code : 12
 Start Date : 3/29/2022
 Page No : 1

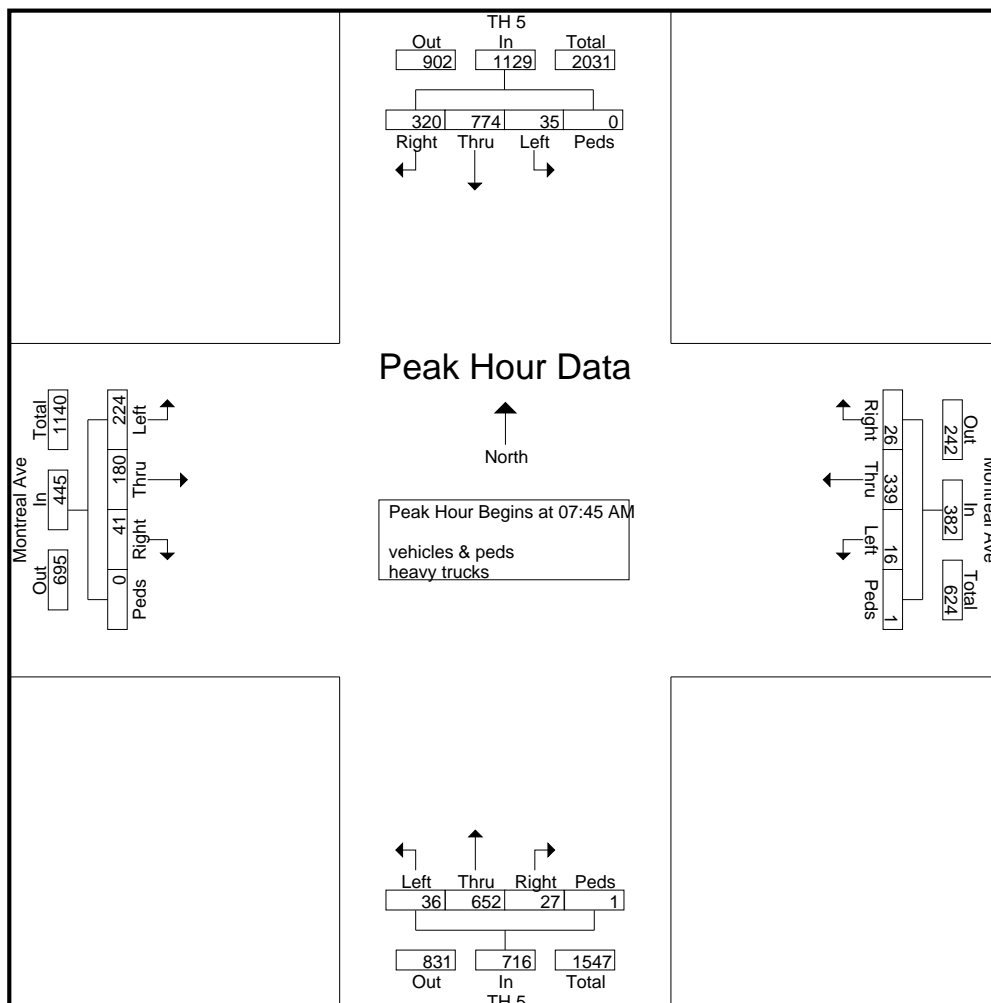
Groups Printed- vehicles & peds - heavy trucks

Start Time	TH 5 From North					Montreal Ave From East					TH 5 From South					Montreal Ave From West					Int. Total
	Right	Thru	Left	Peds	App. Total	Right	Thru	Left	Peds	App. Total	Right	Thru	Left	Peds	App. Total	Right	Thru	Left	Peds	App. Total	
07:00 AM	22	123	2	0	147	8	21	1	1	31	3	116	4	1	124	5	8	21	0	34	336
07:15 AM	33	175	13	1	222	1	42	3	0	46	1	143	7	0	151	7	15	45	1	68	487
07:30 AM	33	176	3	0	212	6	63	3	0	72	7	176	8	0	191	7	19	38	0	64	539
07:45 AM	77	206	9	0	292	3	121	1	1	126	2	163	10	1	176	12	34	40	0	86	680
Total	165	680	27	1	873	18	247	8	2	275	13	598	29	2	642	31	76	144	1	252	2042
08:00 AM	84	175	7	0	266	7	98	3	0	108	10	162	10	0	182	13	48	58	0	119	675
08:15 AM	102	200	8	0	310	4	85	6	0	95	7	166	7	0	180	6	57	72	0	135	720
08:30 AM	57	193	11	0	261	12	35	6	0	53	8	161	9	0	178	10	41	54	0	105	597
08:45 AM	45	166	14	0	225	5	43	3	0	51	3	161	5	0	169	6	25	38	0	69	514
Total	288	734	40	0	1062	28	261	18	0	307	28	650	31	0	709	35	171	222	0	428	2506
04:00 PM	64	203	8	1	276	14	40	5	1	60	11	190	11	0	212	5	50	66	0	121	669
04:15 PM	44	189	9	14	256	8	50	4	1	63	5	207	5	0	217	7	59	63	0	129	665
04:30 PM	53	210	8	0	271	13	47	5	0	65	4	216	9	0	229	13	45	39	0	97	662
04:45 PM	76	235	10	10	331	17	47	11	4	79	5	232	18	0	255	6	54	51	0	111	776
Total	237	837	35	25	1134	52	184	25	6	267	25	845	43	0	913	31	208	219	0	458	2772
05:00 PM	71	204	6	0	281	15	36	2	0	53	7	226	10	0	243	6	32	51	0	89	666
05:15 PM	70	211	7	0	288	9	33	4	0	46	7	267	13	0	287	8	38	67	0	113	734
05:30 PM	43	197	7	0	247	5	37	4	3	49	5	250	9	0	264	10	28	36	0	74	634
05:45 PM	59	177	12	0	248	8	44	3	1	56	2	217	14	1	234	7	27	38	0	72	610
Total	243	789	32	0	1064	37	150	13	4	204	21	960	46	1	1028	31	125	192	0	348	2644
Grand Total	933	3040	134	26	4133	135	842	64	12	1053	87	3053	149	3	3292	128	580	777	1	1486	9964
Apprch %	22.6	73.6	3.2	0.6		12.8	80	6.1	1.1		2.6	92.7	4.5	0.1		8.6	39	52.3	0.1		
Total %	9.4	30.5	1.3	0.3	41.5	1.4	8.5	0.6	0.1	10.6	0.9	30.6	1.5	0	33	1.3	5.8	7.8	0	14.9	
vehicles & peds	918	3032	134	26	4110	134	832	64	11	1041	87	3049	143	1	3280	121	577	767	1	1466	9897
% vehicles & peds	98.4	99.7	100	100	99.4	99.3	98.8	100	91.7	98.9	100	99.9	96	33.3	99.6	94.5	99.5	98.7	100	98.7	99.3
heavy trucks	15	8	0	0	23	1	10	0	1	12	0	4	6	2	12	7	3	10	0	20	67
% heavy trucks	1.6	0.3	0	0	0.6	0.7	1.2	0	8.3	1.1	0	0.1	4	66.7	0.4	5.5	0.5	1.3	0	1.3	0.7

TH 5 & Montreal Ave
 7-9am & 4-6pm
 vehicles, heavy trucks, peds
 day 1

File Name : site 12-TH 5 & Montreal Ave-day 1
 Site Code : 12
 Start Date : 3/29/2022
 Page No : 2

Start Time	TH 5 From North					Montreal Ave From East					TH 5 From South					Montreal Ave From West					Int. Total
	Right	Thru	Left	Peds	App. Total	Right	Thru	Left	Peds	App. Total	Right	Thru	Left	Peds	App. Total	Right	Thru	Left	Peds	App. Total	
Peak Hour Analysis From 07:00 AM to 11:45 AM - Peak 1 of 1																					
Peak Hour for Entire Intersection Begins at 07:45 AM																					
07:45 AM	77	206	9	0	292	3	121	1	1	126	2	163	10	1	176	12	34	40	0	86	680
08:00 AM	84	175	7	0	266	7	98	3	0	108	10	162	10	0	182	13	48	58	0	119	675
08:15 AM	102	200	8	0	310	4	85	6	0	95	7	166	7	0	180	6	57	72	0	135	720
08:30 AM	57	193	11	0	261	12	35	6	0	53	8	161	9	0	178	10	41	54	0	105	597
Total Volume	320	774	35	0	1129	26	339	16	1	382	27	652	36	1	716	41	180	224	0	445	2672
% App. Total	28.3	68.6	3.1	0		6.8	88.7	4.2	0.3		3.8	91.1	5	0.1		9.2	40.4	50.3	0		
PHF	.784	.939	.795	.000	.910	.542	.700	.667	.250	.758	.675	.982	.900	.250	.984	.788	.789	.778	.000	.824	.928



TH 5 & Montreal Ave
7-9am & 4-6pm
vehicles, heavy trucks, peds
day 1

File Name : site 12-TH 5 & Montreal Ave-day 1
Site Code : 12
Start Date : 3/29/2022
Page No : 3

Start Time	TH 5 From North					Montreal Ave From East					TH 5 From South					Montreal Ave From West					Int. Total
	Rig ht	Thr u	Left	Ped s	App. Total	Rig ht	Thr u	Left	Ped s	App. Total	Right	Thr u	Left	Peds	App. Total	Right	Thr u	Left	Peds	App. Total	
Peak Hour Analysis From 12:00 PM to 05:45 PM - Peak 1 of 1																					
Peak Hour for Entire Intersection Begins at 04:30 PM																					
04:30 PM	53	210	8	0	271	13	47	5	0	65	4	216	9	0	229	13	45	39	0	97	662
04:45 PM	76	235	10	10	331	17	47	11	4	79	5	232	18	0	255	6	54	51	0	111	776
05:00 PM	71	204	6	0	281	15	36	2	0	53	7	226	10	0	243	6	32	51	0	89	666
05:15 PM	70	211	7	0	288	9	33	4	0	46	7	267	13	0	287	8	38	67	0	113	734
Total Volume	270	860	31	10	1171	54	163	22	4	243	23	941	50	0	1014	33	169	208	0	410	2838
% App. Total	23.1	73.4	2.6	0.9		22.2	67.1	9.1	1.6		2.3	92.8	4.9	0		8	41.2	50.7	0		
PHF	.888	.915	.775	.250	.884	.794	.867	.500	.250	.769	.821	.881	.694	.000	.883	.635	.782	.776	.000	.907	.914

