



701 Xenia Ave S, Suite 300
 Minneapolis, MN 55416

TH 5 & Smith Ave
 7-9am & 4-6pm
 vehicles, heavy trucks, peds
 day 2

File Name : site 48-TH 5 & Smith Ave-day 2
 Site Code : 48
 Start Date : 4/6/2022
 Page No : 1

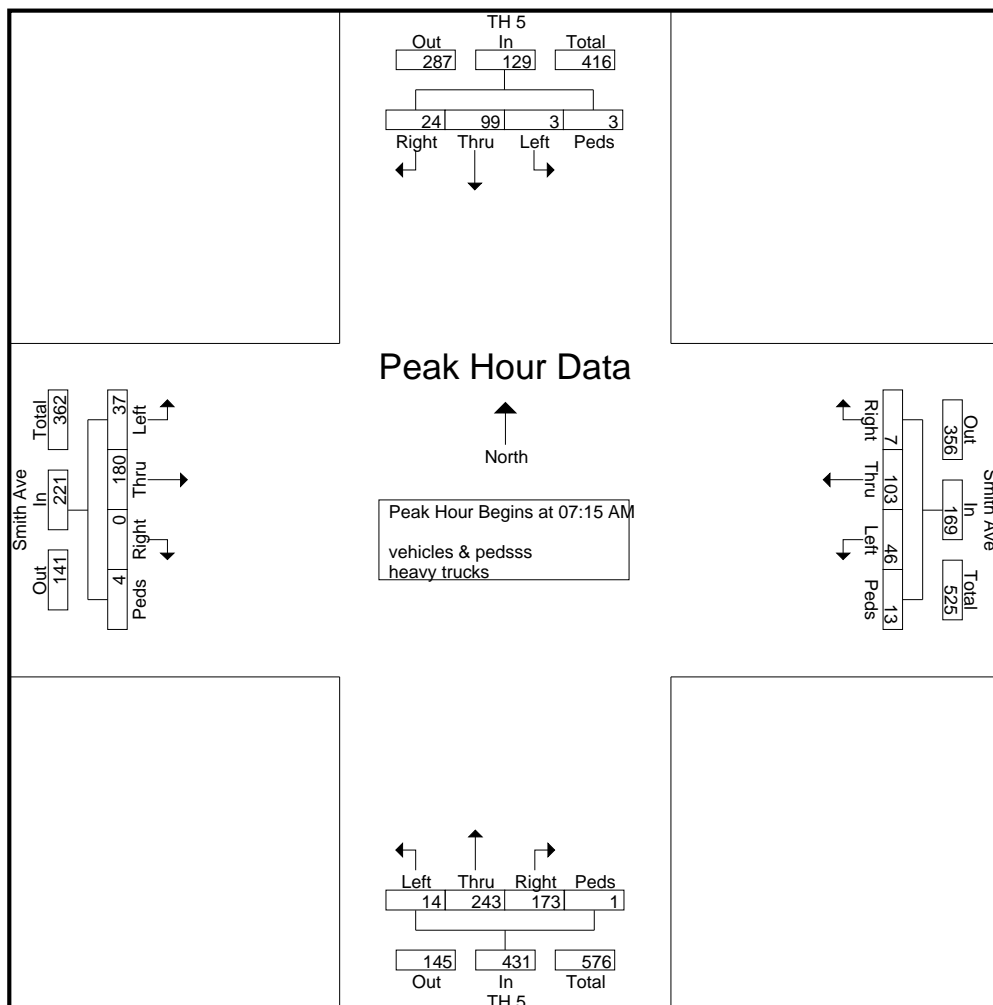
Groups Printed- vehicles & pedsss - heavy trucks

Start Time	TH 5 From North					Smith Ave From East					TH 5 From South					Smith Ave From West					Int. Total
	Right	Thru	Left	Peds	App. Total	Right	Thru	Left	Peds	App. Total	Right	Thru	Left	Peds	App. Total	Right	Thru	Left	Peds	App. Total	
07:00 AM	2	14	1	0	17	0	12	9	1	22	35	42	1	1	79	1	33	5	0	39	157
07:15 AM	4	24	0	0	28	0	27	10	5	42	33	50	0	0	83	0	52	8	0	60	213
07:30 AM	9	25	0	3	37	3	26	13	3	45	57	72	4	0	133	0	43	12	1	56	271
07:45 AM	5	25	2	0	32	3	33	12	2	50	45	68	5	0	118	0	47	8	2	57	257
Total	20	88	3	3	114	6	98	44	11	159	170	232	10	1	413	1	175	33	3	212	898
08:00 AM	6	25	1	0	32	1	17	11	3	32	38	53	5	1	97	0	38	9	1	48	209
08:15 AM	7	19	0	0	26	6	26	6	0	38	33	34	3	0	70	0	35	14	1	50	184
08:30 AM	7	21	0	0	28	3	25	10	0	38	36	58	1	0	95	0	51	9	0	60	221
08:45 AM	8	26	1	2	37	2	31	12	0	45	35	52	3	0	90	0	49	1	1	51	223
Total	28	91	2	2	123	12	99	39	3	153	142	197	12	1	352	0	173	33	3	209	837
04:00 PM	13	88	1	0	102	3	61	27	0	91	26	40	4	0	70	1	47	10	0	58	321
04:15 PM	18	85	1	2	106	3	70	31	2	106	32	39	3	1	75	0	51	13	1	65	352
04:30 PM	14	75	3	2	94	4	68	31	1	104	27	42	6	4	79	0	63	2	3	68	345
04:45 PM	15	68	3	1	87	2	95	42	1	140	25	34	7	0	66	1	50	15	1	67	360
Total	60	316	8	5	389	12	294	131	4	441	110	155	20	5	290	2	211	40	5	258	1378
05:00 PM	16	61	2	5	84	3	79	36	2	120	25	50	7	1	83	2	47	12	3	64	351
05:15 PM	20	81	1	2	104	1	80	28	2	111	31	45	7	3	86	3	60	11	2	76	377
05:30 PM	16	68	2	0	86	4	60	22	4	90	33	41	6	0	80	2	42	7	0	51	307
05:45 PM	13	47	2	3	65	2	67	30	1	100	25	39	6	2	72	1	40	7	2	50	287
Total	65	257	7	10	339	10	286	116	9	421	114	175	26	6	321	8	189	37	7	241	1322
Grand Total	173	752	20	20	965	40	777	330	27	1174	536	759	68	13	1376	11	748	143	18	920	4435
Apprch %	17.9	77.9	2.1	2.1		3.4	66.2	28.1	2.3		39	55.2	4.9	0.9		1.2	81.3	15.5	2		
Total %	3.9	17	0.5	0.5	21.8	0.9	17.5	7.4	0.6	26.5	12.1	17.1	1.5	0.3	31	0.2	16.9	3.2	0.4	20.7	
vehicles & pedsss	172	752	20	17	961	40	774	330	24	1168	536	759	68	12	1375	11	730	143	14	898	4402
% vehicles & pedsss	99.4	100	100	85	99.6	100	99.6	100	88.9	99.5	100	100	100	92.3	99.9	100	97.6	100	77.8	97.6	99.3
heavy trucks	1	0	0	3	4	0	3	0	3	6	0	0	0	1	1	0	18	0	4	22	33
% heavy trucks	0.6	0	0	15	0.4	0	0.4	0	11.1	0.5	0	0	0	7.7	0.1	0	2.4	0	22.2	2.4	0.7

TH 5 & Smith Ave
 7-9am & 4-6pm
 vehicles, heavy trucks, peds
 day 2

File Name : site 48-TH 5 & Smith Ave-day 2
 Site Code : 48
 Start Date : 4/6/2022
 Page No : 2

Start Time	TH 5 From North					Smith Ave From East					TH 5 From South					Smith Ave From West					Int. Total
	Right	Thru	Left	Peds	App. Total	Right	Thru	Left	Peds	App. Total	Right	Thru	Left	Peds	App. Total	Right	Thru	Left	Peds	App. Total	
Peak Hour Analysis From 07:00 AM to 11:45 AM - Peak 1 of 1																					
Peak Hour for Entire Intersection Begins at 07:15 AM																					
07:15 AM	4	24	0	0	28	0	27	10	5	42	33	50	0	0	83	0	52	8	0	60	213
07:30 AM	9	25	0	3	37	3	26	13	3	45	57	72	4	0	133	0	43	12	1	56	271
07:45 AM	5	25	2	0	32	3	33	12	2	50	45	68	5	0	118	0	47	8	2	57	257
08:00 AM	6	25	1	0	32	1	17	11	3	32	38	53	5	1	97	0	38	9	1	48	209
Total Volume	24	99	3	3	129	7	103	46	13	169	173	243	14	1	431	0	180	37	4	221	950
% App. Total	18.6	76.7	2.3	2.3		4.1	60.9	27.2	7.7		40.1	56.4	3.2	0.2		0	81.4	16.7	1.8		
PHF	.667	.990	.375	.250	.872	.583	.780	.885	.650	.845	.759	.844	.700	.250	.810	.000	.865	.771	.500	.921	.876



TH 5 & Smith Ave
7-9am & 4-6pm
vehicles, heavy trucks, peds
day 2

File Name : site 48-TH 5 & Smith Ave-day 2
Site Code : 48
Start Date : 4/6/2022
Page No : 3

Start Time	TH 5 From North					Smith Ave From East					TH 5 From South					Smith Ave From West					Int. Total
	Rig ht	Thr u	Left	Ped s	App. Total	Rig ht	Thr u	Left	Ped s	App. Total	Right	Thr u	Left	Peds	App. Total	Right	Thr u	Left	Peds	App. Total	
Peak Hour Analysis From 12:00 PM to 05:45 PM - Peak 1 of 1																					
Peak Hour for Entire Intersection Begins at 04:30 PM																					
04:30 PM	14	75	3	2	94	4	68	31	1	104	27	42	6	4	79	0	63	2	3	68	345
04:45 PM	15	68	3	1	87	2	95	42	1	140	25	34	7	0	66	1	50	15	1	67	360
05:00 PM	16	61	2	5	84	3	79	36	2	120	25	50	7	1	83	2	47	12	3	64	351
05:15 PM	20	81	1	2	104	1	80	28	2	111	31	45	7	3	86	3	60	11	2	76	377
Total Volume	65	285	9	10	369	10	322	137	6	475	108	171	27	8	314	6	220	40	9	275	1433
% App. Total	17.6	77.2	2.4	2.7		2.1	67.8	28.8	1.3		34.4	54.5	8.6	2.5		2.2	80	14.5	3.3		
PHF	.813	.880	.750	.500	.887	.625	.847	.815	.750	.848	.871	.855	.964	.500	.913	.500	.873	.667	.750	.905	.950

