



MINNESOTA DEPT OF TRANSPORTATION

TRAFFIC DATA COLLECTION - METRO

MN-51 AT HAR MAR ENTRANCE
 REF.PT.: 007.155
 DATA COLLECTED BY TDI
 TURN MOVEMENT COUNT

File Name : MN-51 AT HAR MAR ENTRANCE 2007
 Site Code : 00198737
 Start Date : 5/22/2007
 Page No : 1

Groups Printed- Unshifted

Start Time	MN-51 / Snelling Ave. Southbound				HarMar Entrance Westbound				MN-51 / Snelling Ave. Northbound				Frontage Rd Access Eastbound				Int. Total
	Left	Thru	Right	Peds	Left	Thru	Right	Peds	Left	Thru	Right	Peds	Left	Thru	Right	Peds	
06:00	1	95	8	0	0	0	2	0	4	78	3	0	2	0	6	0	199
06:15	2	136	6	0	2	0	0	0	4	80	1	0	3	1	14	0	249
06:30	3	210	14	0	5	0	1	1	9	126	5	0	8	1	13	0	396
06:45	9	234	10	0	3	3	1	1	11	119	7	1	12	4	8	0	423
Total	15	675	38	0	10	3	4	2	28	403	16	1	25	6	41	0	1267
07:00	4	248	18	0	7	0	0	0	13	163	4	0	11	0	20	1	489
07:15	7	286	15	2	8	3	2	0	7	176	3	0	20	2	17	3	551
07:30	7	301	10	0	4	3	2	0	8	241	8	0	12	0	18	0	614
07:45	3	305	15	0	7	4	1	0	12	263	12	0	12	2	16	0	652
Total	21	1140	58	2	26	10	5	0	40	843	27	0	55	4	71	4	2306
08:00	4	298	19	0	6	3	1	0	7	177	7	1	9	1	21	0	554
08:15	7	322	21	0	5	3	1	0	8	225	16	0	11	3	16	0	638
08:30	15	251	17	2	5	0	2	0	12	194	5	0	12	0	14	0	529
08:45	10	240	16	0	6	0	1	0	17	200	21	0	6	4	23	0	544
Total	36	1111	73	2	22	6	5	0	44	796	49	1	38	8	74	0	2265
*** BREAK ***																	
11:00	25	177	35	0	24	3	11	0	22	185	27	0	13	6	19	2	549
11:15	26	182	19	0	22	10	15	0	22	240	42	1	21	4	26	0	630
11:30	37	180	38	4	20	12	26	0	33	242	36	0	26	16	29	0	699
11:45	23	246	39	2	26	12	21	0	30	279	46	1	19	8	34	0	786
Total	111	785	131	6	92	37	73	0	107	946	151	2	79	34	108	2	2664
12:00	36	179	40	2	49	11	23	0	77	192	41	0	28	11	38	0	727
12:15	36	203	37	1	31	3	30	0	29	256	50	2	19	10	30	0	737
12:30	20	197	30	1	36	16	31	0	37	220	44	1	34	7	44	0	718
12:45	22	249	30	0	36	7	43	0	31	265	40	0	42	10	32	0	807
Total	114	828	137	4	152	37	127	0	174	933	175	3	123	38	144	0	2989
*** BREAK ***																	
15:00	27	208	16	3	29	13	30	0	11	303	33	0	14	6	27	1	721
15:15	19	244	12	2	36	7	28	0	13	1	30	0	16	9	16	0	433
15:30	22	199	18	2	32	8	37	1	23	361	47	1	18	9	16	3	797
15:45	22	223	13	8	29	13	32	0	13	362	40	1	22	12	22	1	813
Total	90	874	59	15	126	41	127	1	60	1027	150	2	70	36	81	5	2764
16:00	25	221	14	0	32	7	20	1	11	357	34	1	20	4	20	0	767
16:15	14	243	21	1	15	10	29	0	13	373	47	0	18	5	22	0	811
16:30	21	238	20	5	24	9	31	3	23	340	48	1	19	6	24	3	815
16:45	21	273	13	1	36	10	19	0	36	270	50	3	16	10	17	5	780
Total	81	975	68	7	107	36	99	4	83	1340	179	5	73	25	83	8	3173
17:00	27	276	16	6	36	12	24	0	18	388	48	0	25	19	26	0	921
17:15	30	236	24	1	28	10	24	1	26	349	71	3	22	8	30	1	864
17:30	19	247	18	0	37	4	17	0	39	300	64	0	27	14	17	2	805
17:45	35	247	21	5	29	12	14	1	27	303	64	0	30	14	25	1	828
Total	111	1006	79	12	130	38	79	2	110	1340	247	3	104	55	98	4	3418



MINNESOTA DEPT OF TRANSPORTATION
 TRAFFIC DATA COLLECTION - METRO

MN-51 AT HAR MAR ENTRANCE
 REF.PT.: 007.155
 DATA COLLECTED BY TDI
 TURN MOVEMENT COUNT

File Name : MN-51 AT HAR MAR ENTRANCE 2007
 Site Code : 00198737
 Start Date : 5/22/2007
 Page No : 2

Groups Printed- Unshifted

	MN-51 / Snelling Ave. Southbound				HarMar Entrance Westbound				MN-51 / Snelling Ave. Northbound				Frontage Rd Access Eastbound				Int. Total
	Left	Thru	Right	Peds	Left	Thru	Right	Peds	Left	Thru	Right	Peds	Left	Thru	Right	Peds	
Grand Total	579	7394	643	48	665	208	519	9	646	7628	994	17	567	206	700	23	20846
Apprch %	6.7	85.3	7.4	0.6	47.5	14.8	37	0.6	7	82.2	10.7	0.2	37.9	13.8	46.8	1.5	
Total %	2.8	35.5	3.1	0.2	3.2	1	2.5	0	3.1	36.6	4.8	0.1	2.7	1	3.4	0.1	



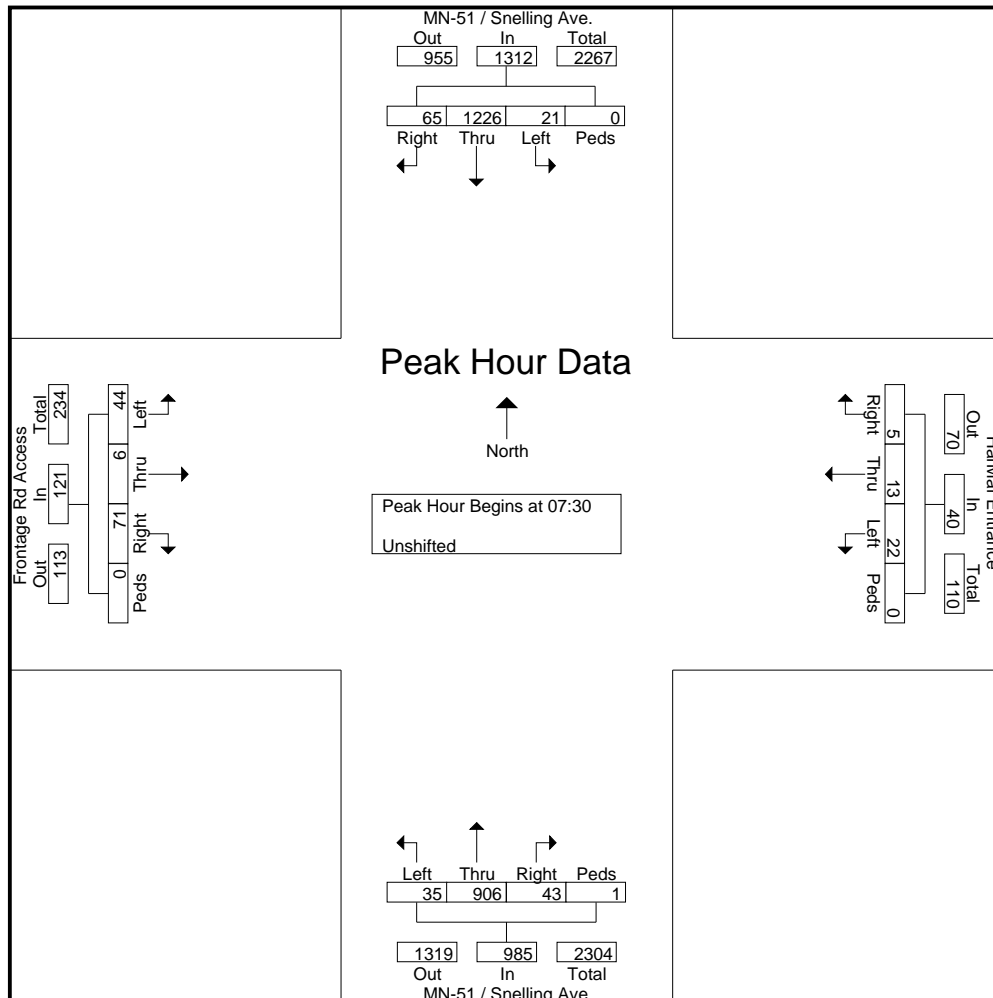
MINNESOTA DEPT OF TRANSPORTATION

TRAFFIC DATA COLLECTION - METRO

MN-51 AT HAR MAR ENTRANCE
 REF.PT.: 007.155
 DATA COLLECTED BY TDI
 TURN MOVEMENT COUNT

File Name : MN-51 AT HAR MAR ENTRANCE 2007
 Site Code : 00198737
 Start Date : 5/22/2007
 Page No : 3

Start Time	MN-51 / Snelling Ave. Southbound					HarMar Entrance Westbound					MN-51 / Snelling Ave. Northbound					Frontage Rd Access Eastbound					Int. Total
	Left	Thru	Right	Peds	App. Total	Left	Thru	Right	Peds	App. Total	Left	Thru	Right	Peds	App. Total	Left	Thru	Right	Peds	App. Total	
Peak Hour Analysis From 06:00 to 08:45 - Peak 1 of 1																					
Peak Hour for Entire Intersection Begins at 07:30																					
07:30	7	301	10	0	318	4	3	2	0	9	8	241	8	0	257	12	0	18	0	30	614
07:45	3	305	15	0	323	7	4	1	0	12	12	263	12	0	287	12	2	16	0	30	652
08:00	4	298	19	0	321	6	3	1	0	10	7	177	7	1	192	9	1	21	0	31	554
08:15	7	322	21	0	350	5	3	1	0	9	8	225	16	0	249	11	3	16	0	30	638
Total Volume	21	1226	65	0	1312	22	13	5	0	40	35	906	43	1	985	44	6	71	0	121	2458
% App. Total	1.6	93.4	5	0		55	32.5	12.5	0		3.6	92	4.4	0.1		36.4	5	58.7	0		
PHF	.750	.952	.774	.000	.937	.786	.813	.625	.000	.833	.729	.861	.672	.250	.858	.917	.500	.845	.000	.976	.942





MINNESOTA DEPT OF TRANSPORTATION

TRAFFIC DATA COLLECTION - METRO

MN-51 AT HAR MAR ENTRANCE
 REF.PT.: 007.155
 DATA COLLECTED BY TDI
 TURN MOVEMENT COUNT

File Name : MN-51 AT HAR MAR ENTRANCE 2007
 Site Code : 00198737
 Start Date : 5/22/2007
 Page No : 4

Start Time	MN-51 / Snelling Ave. Southbound					HarMar Entrance Westbound					MN-51 / Snelling Ave. Northbound					Frontage Rd Access Eastbound					Int. Total
	Left	Thru	Right	Peds	App. Total	Left	Thru	Right	Peds	App. Total	Left	Thru	Right	Peds	App. Total	Left	Thru	Right	Peds	App. Total	
Peak Hour Analysis From 15:00 to 17:45 - Peak 1 of 1																					
Peak Hour for Entire Intersection Begins at 17:00																					
17:00	27	276	16	6	325	36	12	24	0	72	18	388	48	0	454	25	19	26	0	70	921
17:15	30	236	24	1	291	28	10	24	1	63	26	349	71	3	449	22	8	30	1	61	864
17:30	19	247	18	0	284	37	4	17	0	58	39	300	64	0	403	27	14	17	2	60	805
17:45	35	247	21	5	308	29	12	14	1	56	27	303	64	0	394	30	14	25	1	70	828
Total Volume	111	1006	79	12	1208	130	38	79	2	249	110	1340	247	3	1700	104	55	98	4	261	3418
% App. Total	9.2	83.3	6.5	1		52.2	15.3	31.7	0.8		6.5	78.8	14.5	0.2		39.8	21.1	37.5	1.5		
PHF	.793	.911	.823	.500	.929	.878	.792	.823	.500	.865	.705	.863	.870	.250	.936	.867	.724	.817	.500	.932	.928

