

MINNESOTA DEPARTMENT of TRANSPORTATION
DATA COLLECTION UNIT

TH-55 at Evergren Lane
 Ref. Pt.: 182+00.650
 Data by DCU
 TURN MOVEMENT COUNT

File Name : TH-55 at Evergren Lane_2019
 Site Code :
 Start Date : 10/30/2019
 Page No : 1

Groups Printed- Cars + - Trucks

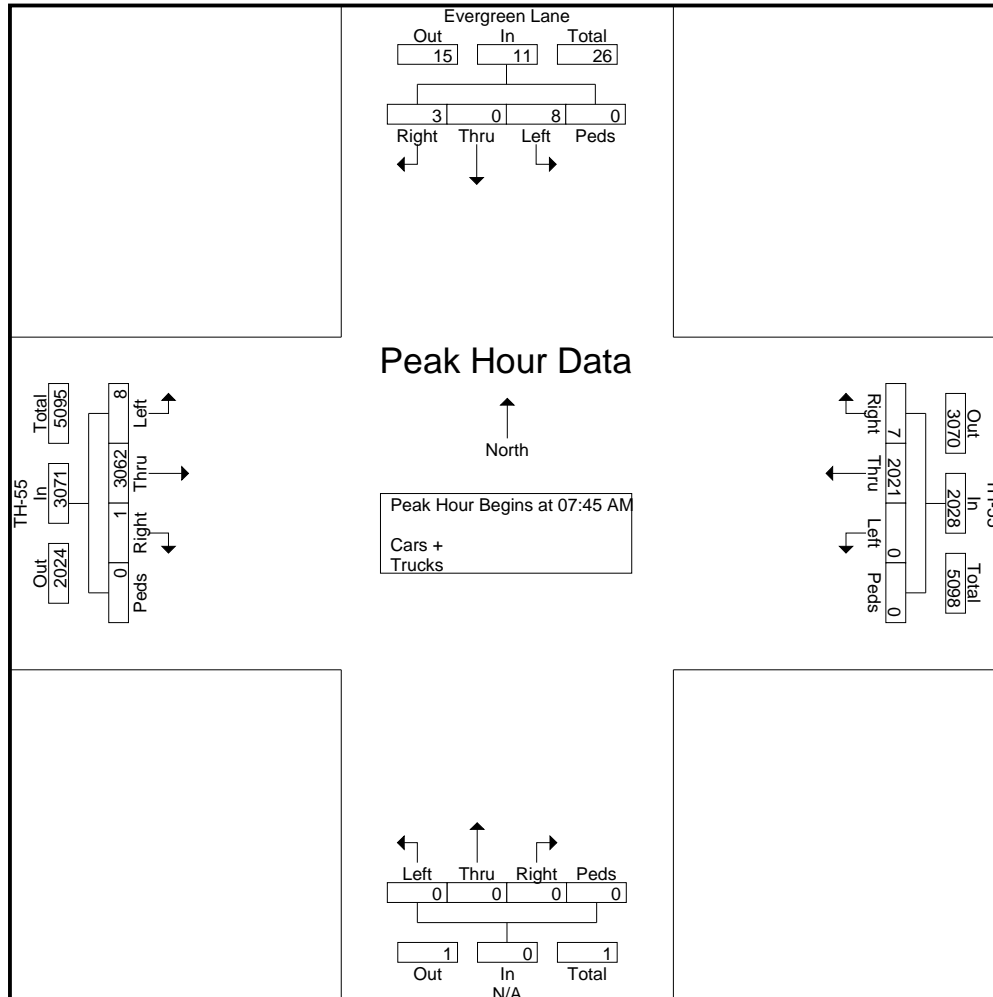
Start Time	Evergreen Lane South Bound				TH-55 West Bound				N/A North Bound				TH-55 East Bound				Int. Total
	Right	Thru	Left	Peds	Right	Thru	Left	Peds	Right	Thru	Left	Peds	Right	Thru	Left	Peds	
06:00 AM	0	0	0	0	0	188	0	0	0	0	0	0	0	259	0	0	447
06:15 AM	0	0	0	0	0	211	0	0	0	0	0	0	0	300	0	0	511
06:30 AM	1	0	5	0	1	356	0	0	0	0	0	0	0	576	0	0	939
06:45 AM	0	0	0	0	1	511	0	0	0	0	0	0	0	670	0	0	1182
Total	1	0	5	0	2	1266	0	0	0	0	0	0	0	1805	0	0	3079
07:00 AM	1	0	1	0	0	409	0	0	0	0	0	0	0	782	0	0	1193
07:15 AM	0	0	2	0	0	414	0	0	0	0	0	0	0	896	0	0	1312
07:30 AM	2	0	2	0	1	388	1	0	0	0	0	0	0	825	1	0	1220
07:45 AM	1	0	0	0	3	477	0	0	0	0	0	0	0	760	3	0	1244
Total	4	0	5	0	4	1688	1	0	0	0	0	0	0	3263	4	0	4969
08:00 AM	0	0	4	0	2	448	0	0	0	0	0	0	0	787	1	0	1242
08:15 AM	1	0	1	0	0	555	0	0	0	0	0	0	1	755	1	0	1314
08:30 AM	1	0	3	0	2	541	0	0	0	0	0	0	0	760	3	0	1310
08:45 AM	1	0	2	0	0	510	0	0	0	0	0	0	0	729	1	0	1243
Total	3	0	10	0	4	2054	0	0	0	0	0	0	1	3031	6	0	5109
09:00 AM	2	0	1	0	2	501	0	0	0	0	0	0	0	590	0	0	1096
09:15 AM	1	0	1	0	0	388	0	0	0	0	0	0	0	430	0	0	820
09:30 AM	2	0	1	0	3	350	0	0	0	0	0	0	0	425	0	0	781
09:45 AM	0	0	6	0	2	399	0	0	0	0	0	0	0	395	1	0	803
Total	5	0	9	0	7	1638	0	0	0	0	0	0	0	1840	1	0	3500
10:00 AM	2	0	0	0	0	296	0	0	0	0	0	0	0	316	2	0	616
10:15 AM	1	0	1	0	1	377	0	0	0	0	0	0	0	352	1	0	733
10:30 AM	2	0	1	0	3	383	0	0	0	0	0	0	0	366	0	0	755
10:45 AM	1	0	1	0	0	436	0	0	0	0	0	0	0	401	1	0	840
Total	6	0	3	0	4	1492	0	0	0	0	0	0	0	1435	4	0	2944
11:00 AM	0	0	2	0	2	345	0	0	0	0	0	0	0	350	2	0	701
11:15 AM	0	0	3	0	2	424	0	0	0	0	0	0	0	387	1	0	817
11:30 AM	0	0	1	0	3	374	0	0	0	0	0	0	0	414	0	0	792
11:45 AM	4	0	2	0	1	546	0	0	0	0	0	0	0	434	1	0	988
Total	4	0	8	0	8	1689	0	0	0	0	0	0	0	1585	4	0	3298
12:00 PM	1	0	1	0	3	456	0	0	0	0	0	0	0	452	0	0	913
12:15 PM	1	0	2	0	1	501	0	0	0	0	0	0	0	514	0	0	1019
12:30 PM	0	0	0	0	1	503	0	0	0	0	0	0	0	453	1	0	958
12:45 PM	2	0	1	0	3	478	0	0	0	0	0	0	0	420	1	0	905
Total	4	0	4	0	8	1938	0	0	0	0	0	0	0	1839	2	0	3795
01:00 PM	0	0	2	0	0	470	0	0	0	0	0	0	0	489	0	0	961
01:15 PM	1	0	1	0	1	536	0	0	0	0	0	0	0	480	3	0	1022
01:30 PM	1	0	2	0	1	498	0	0	0	0	0	0	0	482	0	0	984
01:45 PM	2	0	0	0	1	505	0	0	0	0	0	0	0	412	0	0	920
Total	4	0	5	0	3	2009	0	0	0	0	0	0	0	1863	3	0	3887
02:00 PM	1	0	0	0	0	335	0	0	0	0	0	0	0	403	3	0	742
02:15 PM	0	0	2	0	1	404	0	0	0	0	0	0	0	385	0	0	792
02:30 PM	0	0	1	0	2	357	0	0	0	0	0	0	0	361	0	0	721
02:45 PM	3	0	2	0	4	460	0	0	0	0	0	0	0	363	0	0	832
Total	4	0	5	0	7	1556	0	0	0	0	0	0	0	1512	3	0	3087

MINNESOTA DEPARTMENT of TRANSPORTATION
DATA COLLECTION UNIT

TH-55 at Evergreen Lane
Ref. Pt.: 182+00.650
Data by DCU
TURN MOVEMENT COUNT

File Name : TH-55 at Evergreen Lane_2019
Site Code :
Start Date : 10/30/2019
Page No : 3

Start Time	Evergreen Lane South Bound					TH-55 West Bound					N/A North Bound					TH-55 East Bound					Int. Total
	Right	Thru	Left	Peds	App. Total	Right	Thru	Left	Peds	App. Total	Right	Thru	Left	Peds	App. Total	Right	Thru	Left	Peds	App. Total	
Peak Hour Analysis From 06:00 AM to 11:45 AM - Peak 1 of 1																					
Peak Hour for Entire Intersection Begins at 07:45 AM																					
07:45 AM	1	0	0	0	1	3	477	0	0	480	0	0	0	0	0	0	760	3	0	763	1244
08:00 AM	0	0	4	0	4	2	448	0	0	450	0	0	0	0	0	0	787	1	0	788	1242
08:15 AM	1	0	1	0	2	0	555	0	0	555	0	0	0	0	0	1	755	1	0	757	1314
08:30 AM	1	0	3	0	4	2	541	0	0	543	0	0	0	0	0	0	760	3	0	763	1310
Total Volume	3	0	8	0	11	7	2021	0	0	2028	0	0	0	0	0	1	3062	8	0	3071	5110
% App. Total	27.3	0	72.7	0		0.3	99.7	0	0		0	0	0	0		0	99.7	0.3	0		
PHF	.750	.000	.500	.000	.688	.583	.910	.000	.000	.914	.000	.000	.000	.000	.000	.250	.973	.667	.000	.974	.972



MINNESOTA DEPARTMENT of TRANSPORTATION
DATA COLLECTION UNIT

TH-55 at Evergreen Lane
Ref. Pt.: 182+00.650
Data by DCU
TURN MOVEMENT COUNT

File Name : TH-55 at Evergreen Lane_2019
Site Code :
Start Date : 10/30/2019
Page No : 4

Start Time	Evergreen Lane South Bound					TH-55 West Bound					N/A North Bound					TH-55 East Bound					Int. Total
	Right	Thru	Left	Peds	App. Total	Right	Thru	Left	Peds	App. Total	Right	Thru	Left	Peds	App. Total	Right	Thru	Left	Peds	App. Total	
Peak Hour Analysis From 12:00 PM to 05:45 PM - Peak 1 of 1																					
Peak Hour for Entire Intersection Begins at 04:15 PM																					
04:15 PM	0	0	1	0	1	2	917	0	0	919	0	0	0	0	0	0	620	1	0	621	1541
04:30 PM	2	0	1	0	3	2	882	0	0	884	0	0	0	0	0	0	715	3	0	718	1605
04:45 PM	3	0	2	0	5	1	1003	0	0	1004	0	0	0	0	0	0	728	1	0	729	1738
05:00 PM	0	0	3	0	3	1	854	0	0	855	0	0	0	0	0	0	532	0	0	532	1390
Total Volume	5	0	7	0	12	6	3656	0	0	3662	0	0	0	0	0	0	2595	5	0	2600	6274
% App. Total	41.7	0	58.3	0		0.2	99.8	0	0		0	0	0	0		0	99.8	0.2	0		
PHF	.417	.000	.583	.000	.600	.750	.911	.000	.000	.912	.000	.000	.000	.000	.000	.000	.891	.417	.000	.892	.902

