



MINNESOTA DEPT OF TRANSPORTATION

TRAFFIC DATA COLLECTION - METRO

Counted By: Ann & Arlene
 Day of the Week: Tuesday
 Location: TH 55 & Boone
 Project #: 5764

File Name : TH 55 @ BOONE AV 2006
 Site Code : 08011912
 Start Date : 8/1/2006
 Page No : 1

Groups Printed- Unshifted

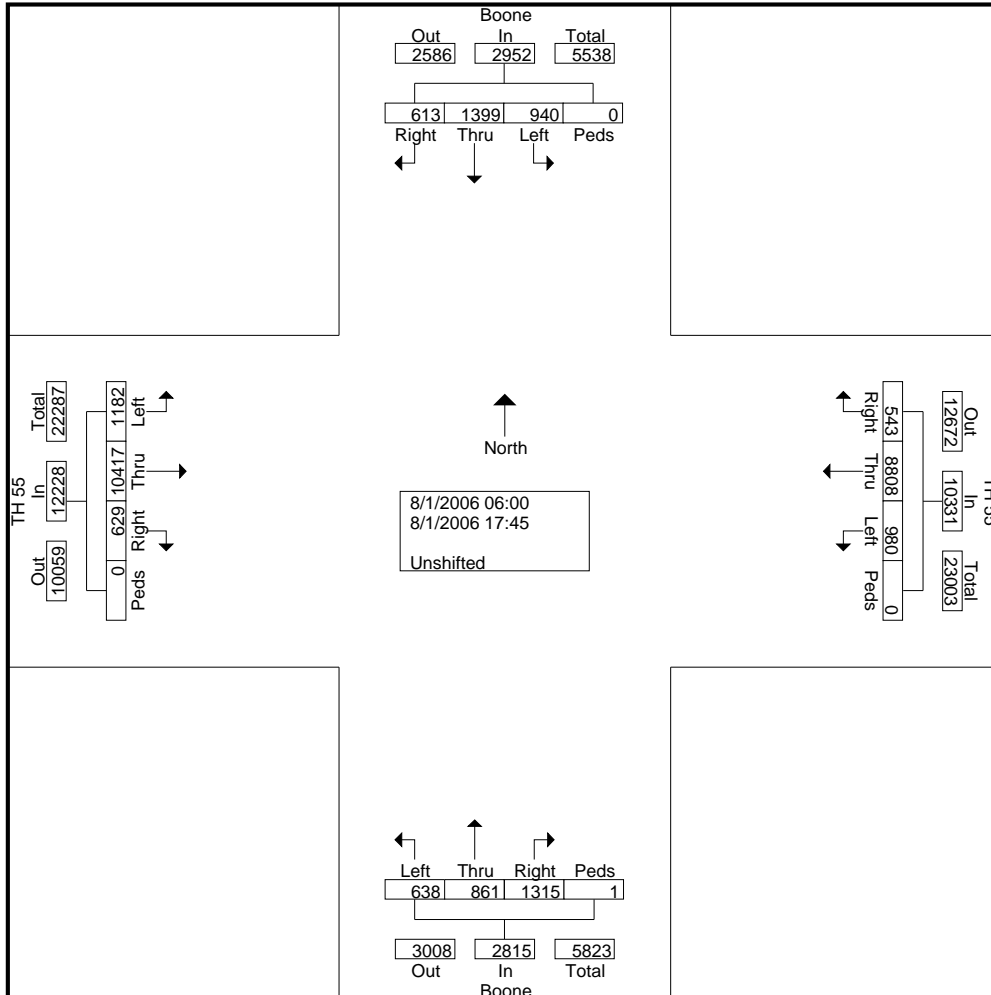
Start Time	Boone Southbound					TH 55 Westbound					Boone Northbound					TH 55 Eastbound					Int. Total
	Left	Thru	Right	Peds	App. Total	Left	Thru	Right	Peds	App. Total	Left	Thru	Right	Peds	App. Total	Left	Thru	Right	Peds	App. Total	
06:00	6	8	6	0	20	5	79	5	0	89	0	3	4	0	7	12	153	12	0	177	293
06:15	9	4	10	0	23	9	117	12	0	138	4	7	14	0	25	16	236	14	0	266	452
06:30	5	13	12	0	30	14	173	9	0	196	4	10	11	0	25	20	329	19	0	368	619
06:45	10	31	11	0	52	31	179	17	0	227	7	11	12	0	30	23	375	40	0	438	747
Total	30	56	39	0	125	59	548	43	0	650	15	31	41	0	87	71	1093	85	0	1249	2111
07:00	14	58	10	0	82	46	202	20	0	268	7	18	14	0	39	28	432	52	0	512	901
07:15	20	59	19	0	98	61	204	16	0	281	7	15	16	0	38	26	522	53	0	601	1018
07:30	32	72	13	0	117	68	232	10	0	310	14	30	24	0	68	29	530	51	0	610	1105
07:45	21	106	16	0	143	81	267	33	0	381	11	29	36	0	76	40	475	41	0	556	1156
Total	87	295	58	0	440	256	905	79	0	1240	39	92	90	0	221	123	1959	197	0	2279	4180
08:00	23	89	15	0	127	72	237	15	0	324	9	23	39	0	71	43	468	56	0	567	1089
08:15	20	93	4	0	117	59	221	17	0	297	13	18	34	0	65	40	465	31	0	536	1015
08:30	19	85	12	0	116	32	187	20	0	239	8	20	23	1	52	42	307	19	0	368	775
08:45	29	54	15	0	98	41	193	20	0	254	13	18	19	0	50	44	348	29	0	421	823
Total	91	321	46	0	458	204	838	72	0	1114	43	79	115	1	238	169	1588	135	0	1892	3702
11:00	15	31	17	0	63	13	204	15	0	232	19	20	24	0	63	46	209	8	0	263	621
11:15	19	30	17	0	66	26	213	20	0	259	14	22	25	0	61	57	214	4	0	275	661
11:30	23	32	30	0	85	14	248	23	0	285	12	22	36	0	70	48	207	7	0	262	702
11:45	29	49	28	0	106	27	237	14	0	278	21	23	31	0	75	53	223	11	0	287	746
Total	86	142	92	0	320	80	902	72	0	1054	66	87	116	0	269	204	853	30	0	1087	2730
12:00	34	31	19	0	84	20	263	23	0	306	23	20	32	0	75	68	237	8	0	313	778
12:15	38	41	22	0	101	29	216	18	0	263	24	23	22	0	69	46	180	9	0	235	668
12:30	46	34	28	0	108	27	261	19	0	307	21	21	33	0	75	61	319	8	0	388	878
12:45	45	32	20	0	97	32	243	18	0	293	20	18	30	0	68	68	221	20	0	309	767
Total	163	138	89	0	390	108	983	78	0	1169	88	82	117	0	287	243	957	45	0	1245	3091
15:00	43	22	13	0	78	10	252	15	0	277	12	12	24	0	48	31	279	6	0	316	719
15:15	34	23	16	0	73	11	310	15	0	336	22	14	41	0	77	34	253	7	0	294	780
15:30	27	41	26	0	94	35	339	20	0	394	13	18	48	0	79	27	321	7	0	355	922
15:45	35	22	18	0	75	13	298	14	0	325	18	31	46	0	95	36	315	13	0	364	859
Total	139	108	73	0	320	69	1199	64	0	1332	65	75	159	0	299	128	1168	33	0	1329	3280
16:00	31	39	29	0	99	26	376	16	0	418	21	31	57	0	109	33	279	10	0	322	948
16:15	36	39	20	0	95	21	391	16	0	428	32	44	76	0	152	30	326	10	0	366	1041
16:30	53	34	45	0	132	23	439	13	0	475	41	61	91	0	193	26	342	14	0	382	1182
16:45	40	35	30	0	105	27	447	21	0	495	46	50	79	0	175	27	389	15	0	431	1206
Total	160	147	124	0	431	97	1653	66	0	1816	140	186	303	0	629	116	1336	49	0	1501	4377
17:00	59	48	43	0	150	38	508	16	0	562	52	57	86	0	195	27	427	21	0	475	1382
17:15	57	55	17	0	129	19	455	16	0	490	48	72	120	0	240	25	350	13	0	388	1247
17:30	41	46	12	0	99	29	436	17	0	482	42	54	99	0	195	45	360	10	0	415	1191
17:45	27	43	20	0	90	21	381	20	0	422	40	46	69	0	155	31	326	11	0	368	1035
Total	184	192	92	0	468	107	1780	69	0	1956	182	229	374	0	785	128	1463	55	0	1646	4855
Grand Total	940	1399	613	0	2952	980	8808	543	0	10331	638	861	1315	1	2815	1182	10417	629	0	12228	28326
Apprch %	31.8	47.4	20.8	0		9.5	85.3	5.3	0		22.7	30.6	46.7	0		9.7	85.2	5.1	0		
Total %	3.3	4.9	2.2	0	10.4	3.5	31.1	1.9	0	36.5	2.3	3	4.6	0	9.9	4.2	36.8	2.2	0	43.2	



MINNESOTA DEPT OF TRANSPORTATION

TRAFFIC DATA COLLECTION - METRO

File Name : TH 55 @ BOONE AV 2006
 Site Code : 08011912
 Start Date : 8/1/2006
 Page No : 2



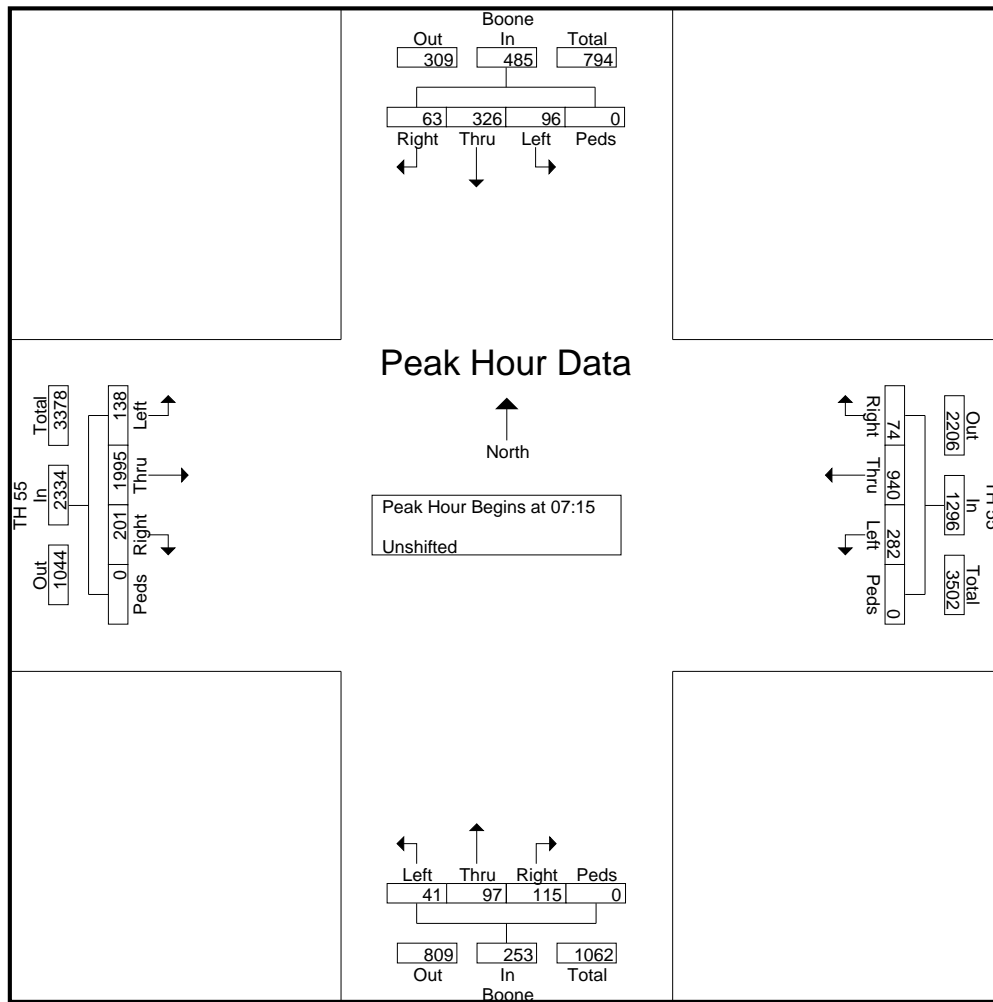


MINNESOTA DEPT OF TRANSPORTATION

TRAFFIC DATA COLLECTION - METRO

File Name : TH 55 @ BOONE AV 2006
 Site Code : 08011912
 Start Date : 8/1/2006
 Page No : 3

Start Time	Boone Southbound					TH 55 Westbound					Boone Northbound					TH 55 Eastbound					Int. Total
	Left	Thru	Right	Peds	App. Total	Left	Thru	Right	Peds	App. Total	Left	Thru	Right	Peds	App. Total	Left	Thru	Right	Peds	App. Total	
Peak Hour Analysis From 06:00 to 09:45 - Peak 1 of 1																					
Peak Hour for Entire Intersection Begins at 07:15																					
07:15	20	59	19	0	98	61	204	16	0	281	7	15	16	0	38	26	522	53	0	601	1018
07:30	32	72	13	0	117	68	232	10	0	310	14	30	24	0	68	29	530	51	0	610	1105
07:45	21	106	16	0	143	81	267	33	0	381	11	29	36	0	76	40	475	41	0	556	1156
08:00	23	89	15	0	127	72	237	15	0	324	9	23	39	0	71	43	468	56	0	567	1089
Total Volume	96	326	63	0	485	282	940	74	0	1296	41	97	115	0	253	138	1995	201	0	2334	4368
% App. Total	19.8	67.2	13	0		21.8	72.5	5.7	0		16.2	38.3	45.5	0		5.9	85.5	8.6	0		
PHF	.750	.769	.829	.000	.848	.870	.880	.561	.000	.850	.732	.808	.737	.000	.832	.802	.941	.897	.000	.957	.945





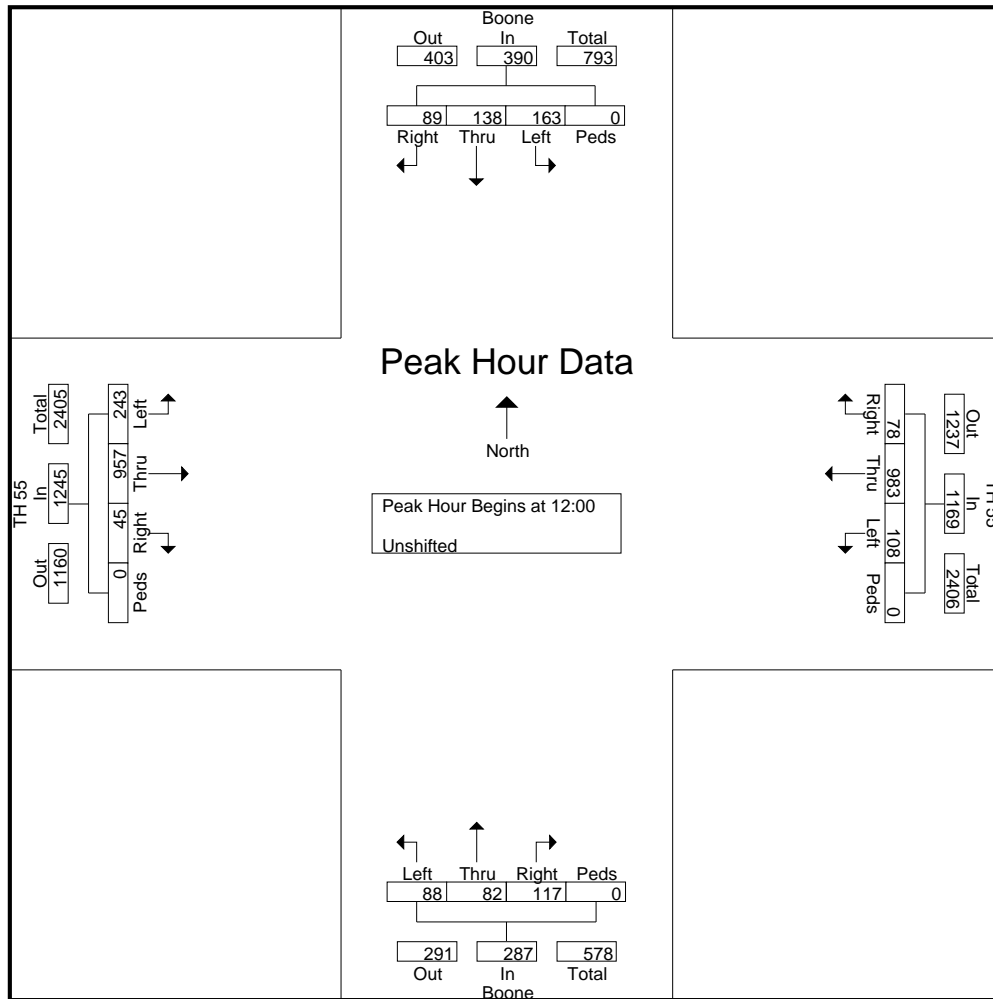
MINNESOTA DEPT OF TRANSPORTATION

TRAFFIC DATA COLLECTION - METRO

File Name : TH 55 @ BOONE AV 2006
 Site Code : 08011912
 Start Date : 8/1/2006
 Page No : 4

Start Time	Boone Southbound					TH 55 Westbound					Boone Northbound					TH 55 Eastbound					Int. Total
	Left	Thru	Right	Peds	App. Total	Left	Thru	Right	Peds	App. Total	Left	Thru	Right	Peds	App. Total	Left	Thru	Right	Peds	App. Total	
12:00	34	31	19	0	84	20	263	23	0	306	23	20	32	0	75	68	237	8	0	313	778
12:15	38	41	22	0	101	29	216	18	0	263	24	23	22	0	69	46	180	9	0	235	668
12:30	46	34	28	0	108	27	261	19	0	307	21	21	33	0	75	61	319	8	0	388	878
12:45	45	32	20	0	97	32	243	18	0	293	20	18	30	0	68	68	221	20	0	309	767
Total Volume	163	138	89	0	390	108	983	78	0	1169	88	82	117	0	287	243	957	45	0	1245	3091
% App. Total	41.8	35.4	22.8	0		9.2	84.1	6.7	0		30.7	28.6	40.8	0		19.5	76.9	3.6	0		
PHF	.886	.841	.795	.000	.903	.844	.934	.848	.000	.952	.917	.891	.886	.000	.957	.893	.750	.563	.000	.802	.880

Peak Hour Analysis From 10:00 to 13:45 - Peak 1 of 1
 Peak Hour for Entire Intersection Begins at 12:00





MINNESOTA DEPT OF TRANSPORTATION

TRAFFIC DATA COLLECTION - METRO

File Name : TH 55 @ BOONE AV 2006
 Site Code : 08011912
 Start Date : 8/1/2006
 Page No : 5

Start Time	Boone Southbound					TH 55 Westbound					Boone Northbound					TH 55 Eastbound					Int. Total
	Left	Thru	Right	Peds	App. Total	Left	Thru	Right	Peds	App. Total	Left	Thru	Right	Peds	App. Total	Left	Thru	Right	Peds	App. Total	
16:45	40	35	30	0	105	27	447	21	0	495	46	50	79	0	175	27	389	15	0	431	1206
17:00	59	48	43	0	150	38	508	16	0	562	52	57	86	0	195	27	427	21	0	475	1382
17:15	57	55	17	0	129	19	455	16	0	490	48	72	120	0	240	25	350	13	0	388	1247
17:30	41	46	12	0	99	29	436	17	0	482	42	54	99	0	195	45	360	10	0	415	1191
Total Volume	197	184	102	0	483	113	1846	70	0	2029	188	233	384	0	805	124	1526	59	0	1709	5026
% App. Total	40.8	38.1	21.1	0		5.6	91	3.4	0		23.4	28.9	47.7	0		7.3	89.3	3.5	0		
PHF	.835	.836	.593	.000	.805	.743	.908	.833	.000	.903	.904	.809	.800	.000	.839	.689	.893	.702	.000	.899	.909

Peak Hour Analysis From 14:00 to 17:45 - Peak 1 of 1
 Peak Hour for Entire Intersection Begins at 16:45

