

Alliant Engineering, Inc.

233 Park Ave Suite 300

Minneapolis, MN 55415

--TRAFFIC DATA--

TH 55 and Schaper Lane

Ref.Pt.: 186.97

data by : Alliant Inc.

TURN MOVEMENT COUNT

File Name : 426_TH 55 & Schaper Ln

Site Code : 426

Start Date : 2/21/2018

Page No : 1

Groups Printed- Class 1 - Class 2

Start Time	Schaper Ln From North					TH 55 From East					Schaper Ln From South					TH 55 From West					Int. Total
	Other	Right	Thru	Left	App. Total	Other	Right	Thru	Left	App. Total	Other	Right	Thru	Left	App. Total	Other	Right	Thru	Left	App. Total	
06:00 AM	0	2	0	5	7	0	1	60	0	61	0	0	0	0	0	0	3	100	9	112	180
06:15 AM	0	1	1	0	2	0	8	86	2	96	0	3	2	0	5	1	5	136	17	159	262
06:30 AM	0	7	0	1	8	0	9	99	3	111	0	3	0	2	5	0	3	213	27	243	367
06:45 AM	0	8	5	3	16	0	7	88	0	95	0	3	1	1	5	0	4	296	17	317	433
Total	0	18	6	9	33	0	25	333	5	363	0	9	3	3	15	1	15	745	70	831	1242
07:00 AM	0	219	6	12	237	0	12	112	1	125	0	4	3	3	10	0	3	378	20	401	773
07:15 AM	0	4	1	8	13	0	11	158	1	170	0	4	2	1	7	0	8	504	31	543	733
07:30 AM	0	13	3	9	25	0	10	272	1	283	0	2	0	1	3	0	10	574	32	616	927
07:45 AM	0	4	3	13	20	0	5	235	5	245	0	6	2	0	8	0	9	570	26	605	878
Total	0	240	13	42	295	0	38	777	8	823	0	16	7	5	28	0	30	2026	109	2165	3311
08:00 AM	0	13	0	6	19	0	10	342	13	365	0	11	4	2	17	0	8	512	29	549	950
08:15 AM	0	1	1	9	11	0	8	517	8	533	0	7	0	3	10	0	17	535	41	593	1147
08:30 AM	0	142	1	0	143	1	9	220	8	238	0	9	0	2	11	0	16	492	21	529	921
08:45 AM	0	0	5	6	11	0	13	128	1	142	0	1	1	2	4	0	19	449	44	512	669
Total	0	156	7	21	184	1	40	1207	30	1278	0	28	5	9	42	0	60	1988	135	2183	3687
09:00 AM	0	1	0	2	3	0	2	102	0	104	0	6	0	7	13	0	15	286	39	340	460
09:15 AM	0	2	0	1	3	0	11	104	4	119	0	4	4	9	17	0	11	236	31	278	417
*** BREAK ***																					
Total	0	3	0	3	6	0	13	206	4	223	0	10	4	16	30	0	26	522	70	618	877
*** BREAK ***																					
10:30 AM	0	10	0	2	12	0	4	82	4	90	0	4	2	1	7	0	4	106	13	123	232
10:45 AM	0	13	3	9	25	0	4	108	1	113	0	1	2	8	11	0	11	118	12	141	290
Total	0	23	3	11	37	0	8	190	5	203	0	5	4	9	18	0	15	224	25	264	522
11:00 AM	0	29	5	2	36	0	7	119	3	129	0	1	1	4	6	0	5	102	11	118	289
11:15 AM	0	16	1	9	26	0	6	145	2	153	0	0	0	6	6	0	6	123	15	144	329
11:30 AM	0	36	1	3	40	0	7	125	1	133	0	1	1	5	7	0	13	161	23	197	377
11:45 AM	0	14	2	4	20	0	1	113	2	116	0	2	1	4	7	0	10	123	26	159	302
Total	0	95	9	18	122	0	21	502	8	531	0	4	3	19	26	0	34	509	75	618	1297
12:00 PM	0	27	1	2	30	0	9	152	1	162	0	8	1	11	20	0	9	127	26	162	374
12:15 PM	0	14	4	4	22	0	7	146	3	156	0	3	1	10	14	0	9	146	26	181	373
12:30 PM	0	18	2	5	25	0	6	138	0	144	0	2	1	6	9	0	11	178	26	215	393
12:45 PM	0	24	0	7	31	0	5	125	1	131	0	2	0	6	8	0	10	155	26	191	361
Total	0	83	7	18	108	0	27	561	5	593	0	15	3	33	51	0	39	606	104	749	1501
01:00 PM	0	25	0	3	28	0	3	146	3	152	0	2	1	4	7	0	10	186	26	222	409
01:15 PM	0	6	1	4	11	0	7	125	1	133	0	2	0	5	7	0	2	157	29	188	339
*** BREAK ***																					
Total	0	31	1	7	39	0	10	271	4	285	0	4	1	9	14	0	12	343	55	410	748
*** BREAK ***																					
02:30 PM	0	31	1	9	41	0	5	152	1	158	0	3	2	8	13	0	3	172	20	195	407
02:45 PM	0	22	0	6	28	0	1	149	0	150	0	2	4	7	13	0	14	203	27	244	435
Total	0	53	1	15	69	0	6	301	1	308	0	5	6	15	26	0	17	375	47	439	842
03:00 PM	0	28	2	10	40	0	7	207	0	214	0	11	1	14	26	0	6	198	9	213	493
03:15 PM	0	24	1	6	31	0	5	213	1	219	0	4	2	9	15	0	3	232	9	244	509
03:30 PM	0	38	1	13	52	0	5	227	1	233	0	5	0	6	11	0	3	239	18	260	556
03:45 PM	0	25	0	5	30	0	10	259	3	272	0	11	1	8	20	0	5	285	22	312	634
Total	0	115	4	34	153	0	27	906	5	938	0	31	4	37	72	0	17	954	58	1029	2192
04:00 PM	0	35	0	17	52	0	12	297	1	310	0	6	11	10	27	0	2	288	12	302	691
04:15 PM	0	32	0	23	55	0	5	309	3	317	0	10	4	3	17	0	9	343	8	360	749
04:30 PM	0	32	1	21	54	1	16	418	3	438	0	12	3	9	24	0	2	402	14	418	934

Alliant Engineering, Inc.

233 Park Ave Suite 300

Minneapolis, MN 55415

--TRAFFIC DATA--

TH 55 and Schaper Lane

Ref.Pt.: 186.97

data by : Alliant Inc.

TURN MOVEMENT COUNT

File Name : 426_TH 55 & Schaper Ln

Site Code : 426_____

Start Date : 2/21/2018

Page No : 2

Groups Printed- Class 1 - Class 2

Start Time	Schaper Ln From North					TH 55 From East					Schaper Ln From South					TH 55 From West					Int. Total
	Other	Rght	Thru	Left	App. Total	Other	Rght	Thru	Left	App. Total	Other	Rght	Thru	Left	App. Total	Other	Rght	Thru	Left	App. Total	
04:45 PM	0	30	0	22	52	0	11	373	0	384	0	8	6	9	23	0	7	463	17	487	946
Total	0	129	1	83	213	1	44	1397	7	1449	0	36	24	31	91	0	20	1496	51	1567	3320
05:00 PM	0	44	0	28	72	1	14	394	1	410	0	12	7	9	28	0	1	499	21	521	1031
05:15 PM	0	16	0	11	27	0	10	404	4	418	0	14	0	3	17	0	2	523	12	537	999
05:30 PM	0	18	0	11	29	0	17	363	4	384	0	5	2	4	11	0	2	387	13	402	826
05:45 PM	0	16	1	9	26	0	8	250	7	265	0	4	1	3	8	0	3	322	6	331	630
Total	0	94	1	59	154	1	49	1411	16	1477	0	35	10	19	64	0	8	1731	52	1791	3486
Grand Total	0	1040	53	320	1413	3	308	8062	98	8471	0	198	74	205	477	1	293	11519	851	12664	23025
Apprch %	0	73.6	3.8	22.6		0	3.6	95.2	1.2		0	41.5	15.5	43		0	2.3	91	6.7		
Total %	0	4.5	0.2	1.4	6.1	0	1.3	35	0.4	36.8	0	0.9	0.3	0.9	2.1	0	1.3	50	3.7	55	
Class 1	0	1012	51	310	1373	3	296	7828	92	8219	0	182	70	192	444	0	260	11225	816	12301	22337
% Class 1	0	97.3	96.2	96.9	97.2	100	96.1	97.1	93.9	97	0	91.9	94.6	93.7	93.1	0	88.7	97.4	95.9	97.1	97
Class 2	0	28	2	10	40	0	12	234	6	252	0	16	4	13	33	1	33	294	35	363	688
% Class 2	0	2.7	3.8	3.1	2.8	0	3.9	2.9	6.1	3	0	8.1	5.4	6.3	6.9	100	11.3	2.6	4.1	2.9	3

Alliant Engineering, Inc.

233 Park Ave Suite 300

Minneapolis, MN 55415

--TRAFFIC DATA--

TH 55 and Schaper Lane

Ref.Pt.: 186.97

data by : Alliant Inc.

TURN MOVEMENT COUNT

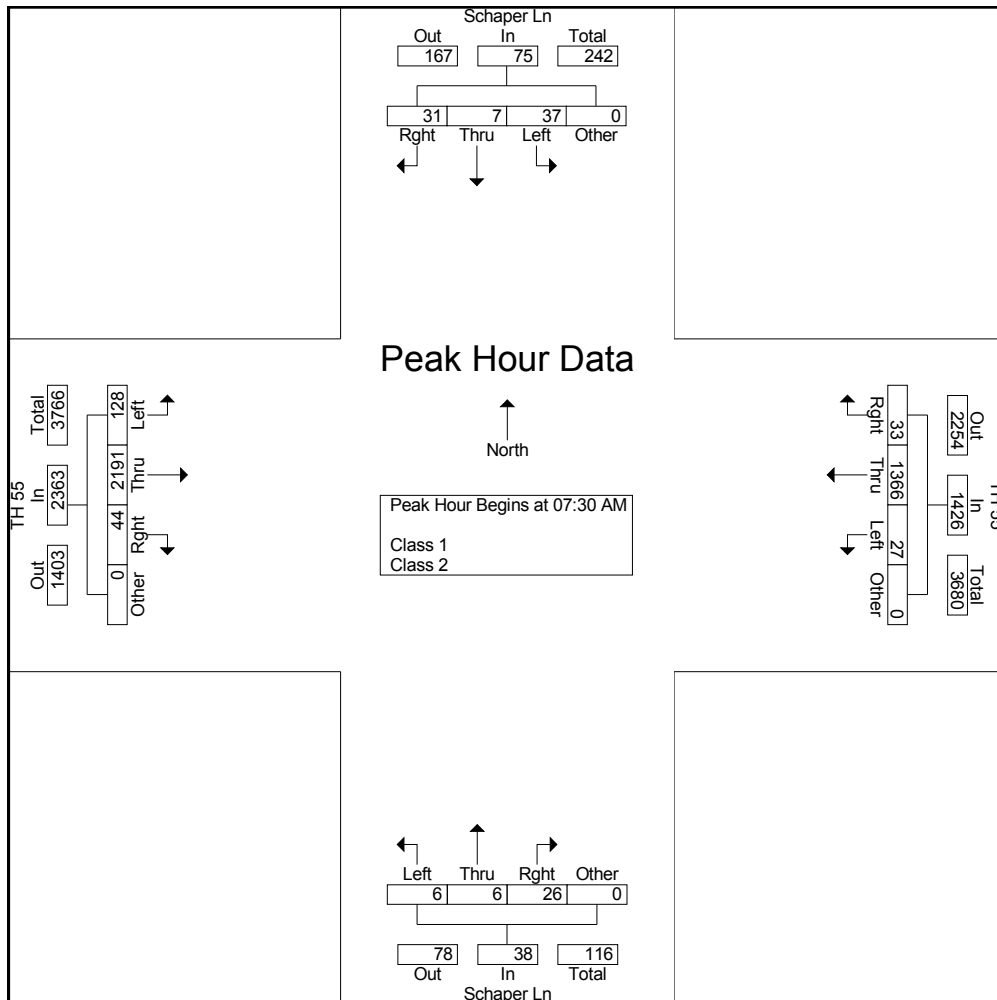
File Name : 426_TH 55 & Schaper Ln

Site Code : 426_____

Start Date : 2/21/2018

Page No : 3

Start Time	Schaper Ln From North					TH 55 From East					Schaper Ln From South					TH 55 From West					Int. Total
	Other	Right	Thru	Left	App. Total	Other	Right	Thru	Left	App. Total	Other	Right	Thru	Left	App. Total	Other	Right	Thru	Left	App. Total	
Peak Hour Analysis From 06:00 AM to 11:45 AM - Peak 1 of 1																					
Peak Hour for Entire Intersection Begins at 07:30 AM																					
07:30 AM	0	13	3	9	25	0	10	272	1	283	0	2	0	1	3	0	10	574	32	616	927
07:45 AM	0	4	3	13	20	0	5	235	5	245	0	6	2	0	8	0	9	570	26	605	878
08:00 AM	0	13	0	6	19	0	10	342	13	365	0	11	4	2	17	0	8	512	29	549	950
08:15 AM	0	1	1	9	11	0	8	517	8	533	0	7	0	3	10	0	17	535	41	593	1147
Total Volume	0	31	7	37	75	0	33	1366	27	1426	0	26	6	6	38	0	44	2191	128	2363	3902
% App. Total	0	41.3	9.3	49.3		0	2.3	95.8	1.9		0	68.4	15.8	15.8		0	1.9	92.7	5.4		
PHF	.000	.596	.583	.712	.750	.000	.825	.661	.519	.669	.000	.591	.375	.500	.559	.000	.647	.954	.780	.959	.850



Alliant Engineering, Inc.

233 Park Ave Suite 300

Minneapolis, MN 55415

--TRAFFIC DATA--

TH 55 and Schaper Lane

Ref.Pt.: 186.97

data by : Alliant Inc.

TURN MOVEMENT COUNT

File Name : 426_TH 55 & Schaper Ln

Site Code : 426_____

Start Date : 2/21/2018

Page No : 4

Start Time	Schaper Ln From North					TH 55 From East					Schaper Ln From South					TH 55 From West					Int. Total
	Other	Rght	Thru	Left	App. Total	Other	Rght	Thru	Left	App. Total	Other	Rght	Thru	Left	App. Total	Other	Rght	Thru	Left	App. Total	
Peak Hour Analysis From 12:00 PM to 05:45 PM - Peak 1 of 1																					
Peak Hour for Entire Intersection Begins at 04:30 PM																					
04:30 PM	0	32	1	21	54	1	16	418	3	438	0	12	3	9	24	0	2	402	14	418	934
04:45 PM	0	30	0	22	52	0	11	373	0	384	0	8	6	9	23	0	7	463	17	487	946
05:00 PM	0	44	0	28	72	1	14	394	1	410	0	12	7	9	28	0	1	499	21	521	1031
05:15 PM	0	16	0	11	27	0	10	404	4	418	0	14	0	3	17	0	2	523	12	537	999
Total Volume	0	122	1	82	205	2	51	1589	8	1650	0	46	16	30	92	0	12	1887	64	1963	3910
% App. Total	0	59.5	0.5	40		0.1	3.1	96.3	0.5		0	50	17.4	32.6		0	0.6	96.1	3.3		
PHF	.000	.693	.250	.732	.712	.500	.797	.950	.500	.942	.000	.821	.571	.833	.821	.000	.429	.902	.762	.914	.948

