



MINNESOTA DEPT OF TRANSPORTATION

TRAFFIC DATA COLLECTION - METRO

Counted By: Ivan & Linda
 Day of the Week: Wednesday
 Location: TH 55 & Wirth Parkway
 Project #: 5764

File Name : TH 55 @ THEODORE WIRTH PWKY 2006
 Site Code : 08022712
 Start Date : 8/2/2006
 Page No : 1

Groups Printed- Unshifted

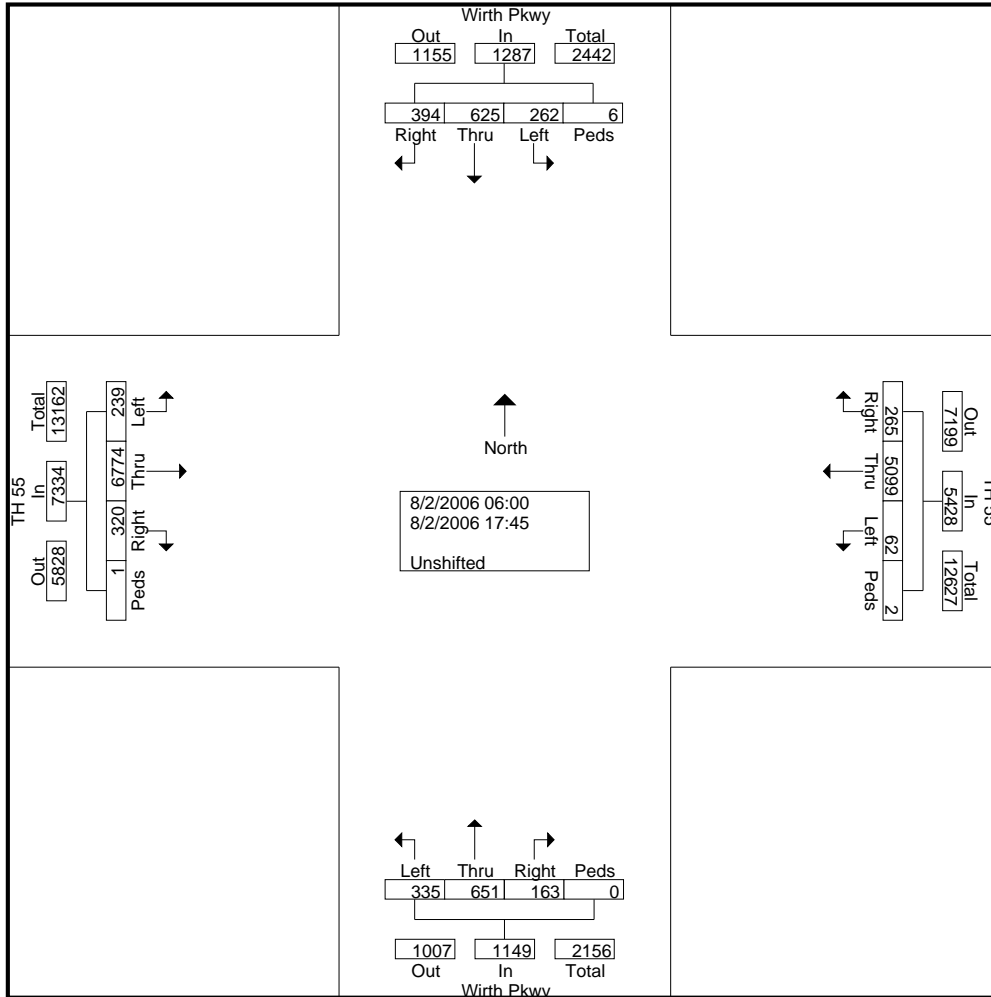
Start Time	Wirth Pkwy Southbound					TH 55 Westbound					Wirth Pkwy Northbound					TH 55 Eastbound					Int. Total
	Left	Thru	Right	Peds	App. Total	Left	Thru	Right	Peds	App. Total	Left	Thru	Right	Peds	App. Total	Left	Thru	Right	Peds	App. Total	
06:00	7	7	3	0	17	0	43	1	0	44	1	5	0	0	6	3	76	1	0	80	147
06:15	3	12	6	0	21	1	95	4	0	100	1	6	0	0	7	1	109	3	0	113	241
06:30	5	19	3	0	27	0	105	1	0	106	1	5	3	0	9	2	208	5	0	215	357
06:45	5	13	12	0	30	1	119	6	0	126	5	7	2	0	14	6	238	5	0	249	419
Total	20	51	24	0	95	2	362	12	0	376	8	23	5	0	36	12	631	14	0	657	1164
07:00	9	15	18	0	42	2	124	5	0	131	9	3	2	0	14	3	212	9	0	224	411
07:15	19	33	15	0	67	1	148	1	0	150	10	10	1	0	21	3	317	9	0	329	567
07:30	18	48	19	0	85	1	199	8	0	208	17	15	3	0	35	2	321	10	0	333	661
07:45	15	46	21	0	82	2	193	3	0	198	23	18	4	0	45	5	346	11	0	362	687
Total	61	142	73	0	276	6	664	17	0	687	59	46	10	0	115	13	1196	39	0	1248	2326
08:00	14	30	28	0	72	5	172	6	0	183	20	9	4	0	33	4	381	9	0	394	682
08:15	17	22	16	0	55	7	159	5	0	171	11	12	5	0	28	2	368	13	0	383	637
08:30	11	32	11	0	54	1	154	2	0	157	17	9	2	0	28	2	328	6	0	336	575
08:45	8	23	8	0	39	1	128	3	0	132	16	10	4	0	30	6	290	8	0	304	505
Total	50	107	63	0	220	14	613	16	0	643	64	40	15	0	119	14	1367	36	0	1417	2399
11:00	5	3	15	0	23	0	90	7	1	98	0	6	9	0	15	2	126	6	0	134	270
11:15	4	1	18	0	23	0	119	4	0	123	2	13	5	0	20	1	141	9	0	151	317
11:30	8	12	10	0	30	0	100	5	0	105	7	4	5	0	16	4	118	6	0	128	279
11:45	5	8	10	0	23	0	108	7	0	115	7	10	5	0	22	3	141	7	0	151	311
Total	22	24	53	0	99	0	417	23	1	441	16	33	24	0	73	10	526	28	0	564	1177
12:00	8	8	9	0	25	0	92	5	0	97	9	6	2	0	17	9	101	10	0	120	259
12:15	5	15	9	0	29	0	118	3	0	121	8	13	2	0	23	9	138	6	0	153	326
12:30	1	10	5	0	16	3	91	5	0	99	4	13	5	0	22	4	109	9	0	122	259
12:45	4	9	10	0	23	0	134	7	0	141	10	16	2	0	28	25	114	6	0	145	337
Total	18	42	33	0	93	3	435	20	0	458	31	48	11	0	90	47	462	31	0	540	1181
15:00	1	15	13	0	29	0	135	7	1	143	4	18	5	0	27	6	165	5	1	177	376
15:15	6	15	12	0	33	3	170	8	0	181	10	29	5	0	44	5	187	8	0	200	458
15:30	14	16	20	1	51	0	199	16	0	215	12	20	1	0	33	8	194	8	0	210	509
15:45	7	15	14	1	37	0	214	17	0	231	21	41	7	0	69	18	213	11	0	242	579
Total	28	61	59	2	150	3	718	48	1	770	47	108	18	0	173	37	759	32	1	829	1922
16:00	13	19	13	0	45	2	184	10	0	196	10	38	7	0	55	16	217	19	0	252	548
16:15	8	21	11	0	40	7	210	18	0	235	19	36	7	0	62	12	220	13	0	245	582
16:30	7	22	10	1	40	1	197	10	0	208	11	42	11	0	64	13	212	10	0	235	547
16:45	4	23	10	1	38	1	215	13	0	229	11	25	18	0	54	13	249	12	0	274	595
Total	32	85	44	2	163	11	806	51	0	868	51	141	43	0	235	54	898	54	0	1006	2272
17:00	6	34	17	0	57	5	301	30	0	336	14	57	7	0	78	8	240	30	0	278	749
17:15	9	33	12	0	54	5	297	18	0	320	13	60	13	0	86	15	240	17	0	272	732
17:30	10	29	9	0	48	11	294	13	0	318	18	53	11	0	82	17	226	21	0	264	712
17:45	6	17	7	2	32	2	192	17	0	211	14	42	6	0	62	12	229	18	0	259	564
Total	31	113	45	2	191	23	1084	78	0	1185	59	212	37	0	308	52	935	86	0	1073	2757
Grand Total	262	625	394	6	1287	62	5099	265	2	5428	335	651	163	0	1149	239	6774	320	1	7334	15198
Apprch %	20.4	48.6	30.6	0.5		1.1	93.9	4.9	0		29.2	56.7	14.2	0		3.3	92.4	4.4	0		
Total %	1.7	4.1	2.6	0	8.5	0.4	33.6	1.7	0	35.7	2.2	4.3	1.1	0	7.6	1.6	44.6	2.1	0	48.3	



MINNESOTA DEPT OF TRANSPORTATION

TRAFFIC DATA COLLECTION - METRO

File Name : TH 55 @ THEODORE WIRTH PWKY 2006
Site Code : 08022712
Start Date : 8/2/2006
Page No : 2



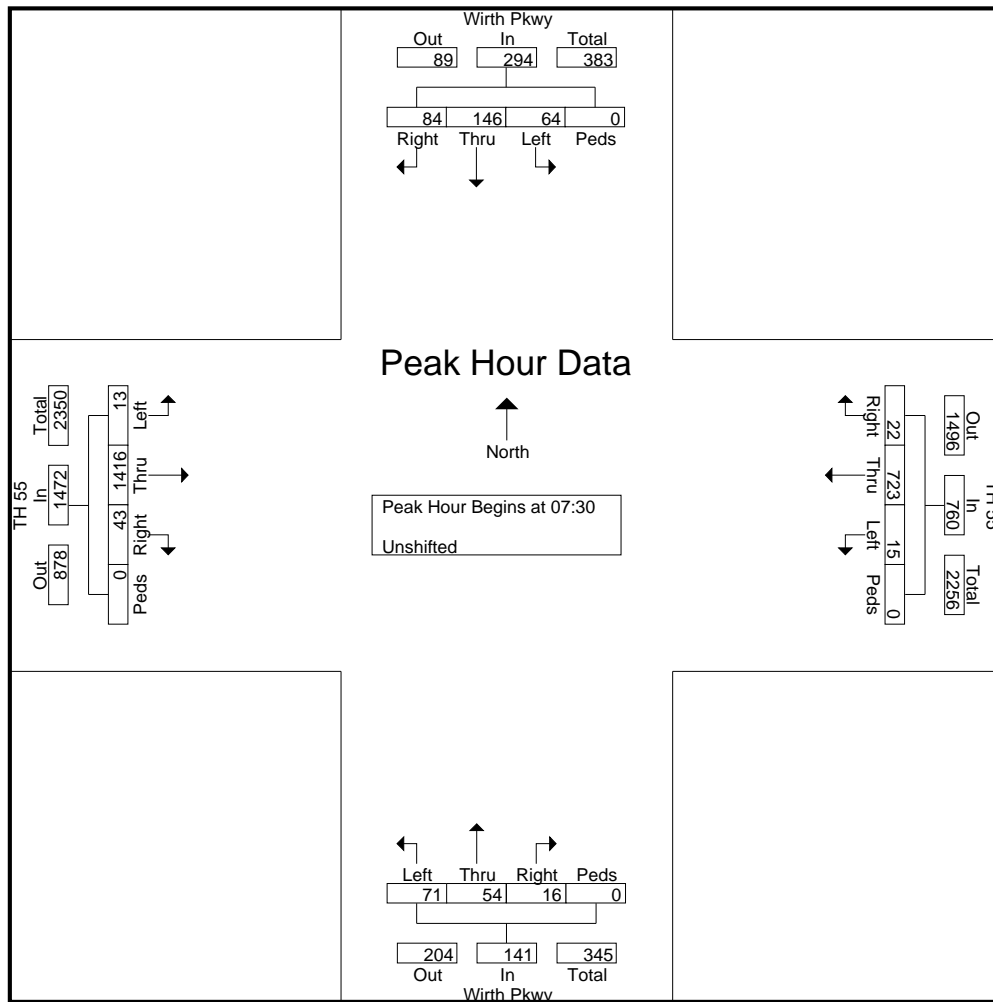


MINNESOTA DEPT OF TRANSPORTATION

TRAFFIC DATA COLLECTION - METRO

File Name : TH 55 @ THEODORE WIRTH PWKY 2006
 Site Code : 08022712
 Start Date : 8/2/2006
 Page No : 3

Start Time	Wirth Pkwy Southbound					TH 55 Westbound					Wirth Pkwy Northbound					TH 55 Eastbound					Int. Total
	Left	Thru	Right	Peds	App. Total	Left	Thru	Right	Peds	App. Total	Left	Thru	Right	Peds	App. Total	Left	Thru	Right	Peds	App. Total	
Peak Hour Analysis From 06:00 to 09:45 - Peak 1 of 1																					
Peak Hour for Entire Intersection Begins at 07:30																					
07:30	18	48	19	0	85	1	199	8	0	208	17	15	3	0	35	2	321	10	0	333	661
07:45	15	46	21	0	82	2	193	3	0	198	23	18	4	0	45	5	346	11	0	362	687
08:00	14	30	28	0	72	5	172	6	0	183	20	9	4	0	33	4	381	9	0	394	682
08:15	17	22	16	0	55	7	159	5	0	171	11	12	5	0	28	2	368	13	0	383	637
Total Volume	64	146	84	0	294	15	723	22	0	760	71	54	16	0	141	13	1416	43	0	1472	2667
% App. Total	21.8	49.7	28.6	0		2	95.1	2.9	0		50.4	38.3	11.3	0		0.9	96.2	2.9	0		
PHF	.889	.760	.750	.000	.865	.536	.908	.688	.000	.913	.772	.750	.800	.000	.783	.650	.929	.827	.000	.934	.971





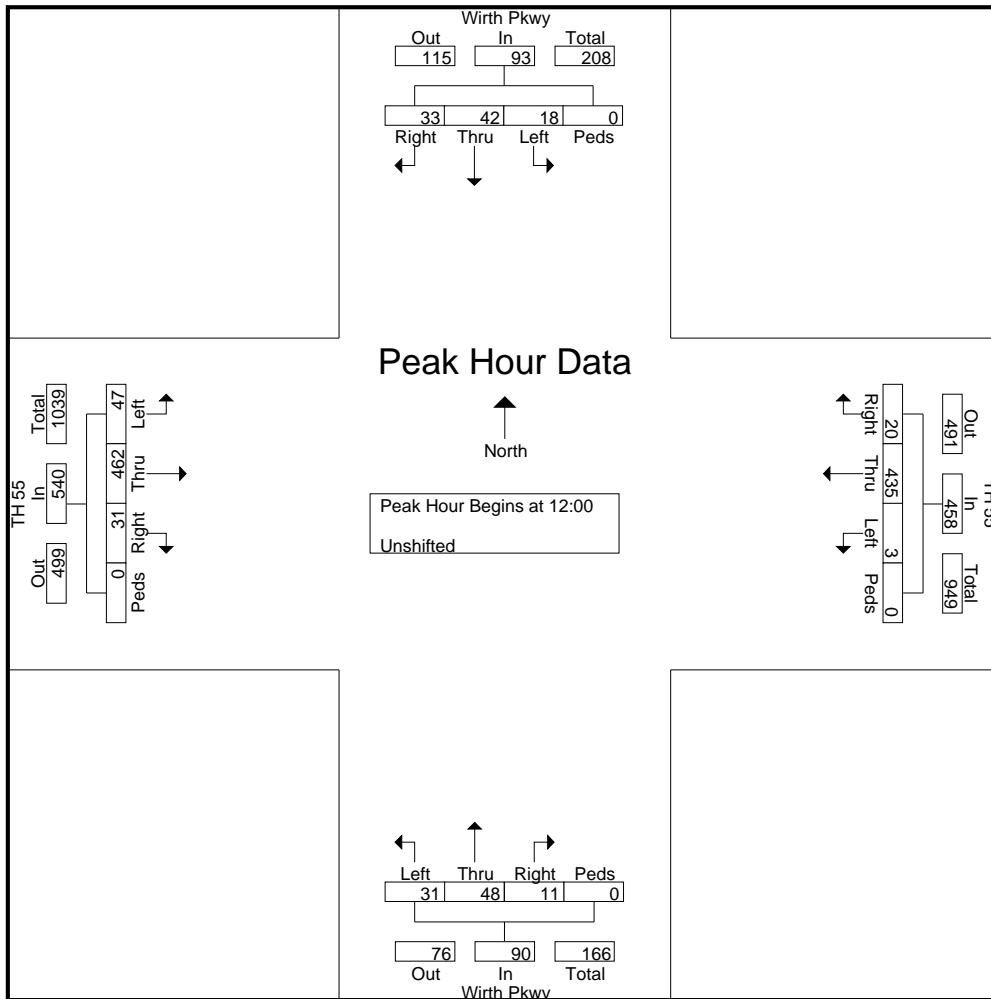
MINNESOTA DEPT OF TRANSPORTATION

TRAFFIC DATA COLLECTION - METRO

File Name : TH 55 @ THEODORE WIRTH PWKY 2006
 Site Code : 08022712
 Start Date : 8/2/2006
 Page No : 4

Start Time	Wirth Pkwy Southbound					TH 55 Westbound					Wirth Pkwy Northbound					TH 55 Eastbound					Int. Total
	Left	Thru	Right	Peds	App. Total	Left	Thru	Right	Peds	App. Total	Left	Thru	Right	Peds	App. Total	Left	Thru	Right	Peds	App. Total	
12:00	8	8	9	0	25	0	92	5	0	97	9	6	2	0	17	9	101	10	0	120	259
12:15	5	15	9	0	29	0	118	3	0	121	8	13	2	0	23	9	138	6	0	153	326
12:30	1	10	5	0	16	3	91	5	0	99	4	13	5	0	22	4	109	9	0	122	259
12:45	4	9	10	0	23	0	134	7	0	141	10	16	2	0	28	25	114	6	0	145	337
Total Volume	18	42	33	0	93	3	435	20	0	458	31	48	11	0	90	47	462	31	0	540	1181
% App. Total	19.4	45.2	35.5	0		0.7	95	4.4	0		34.4	53.3	12.2	0		8.7	85.6	5.7	0		
PHF	.563	.700	.825	.000	.802	.250	.812	.714	.000	.812	.775	.750	.550	.000	.804	.470	.837	.775	.000	.882	.876

Peak Hour Analysis From 10:00 to 13:45 - Peak 1 of 1
 Peak Hour for Entire Intersection Begins at 12:00





MINNESOTA DEPT OF TRANSPORTATION

TRAFFIC DATA COLLECTION - METRO

File Name : TH 55 @ THEODORE WIRTH PWKY 2006
 Site Code : 08022712
 Start Date : 8/2/2006
 Page No : 5

Start Time	Wirth Pkwy Southbound					TH 55 Westbound					Wirth Pkwy Northbound					TH 55 Eastbound					Int. Total
	Left	Thru	Right	Peds	App. Total	Left	Thru	Right	Peds	App. Total	Left	Thru	Right	Peds	App. Total	Left	Thru	Right	Peds	App. Total	
16:45	4	23	10	1	38	1	215	13	0	229	11	25	18	0	54	13	249	12	0	274	595
17:00	6	34	17	0	57	5	301	30	0	336	14	57	7	0	78	8	240	30	0	278	749
17:15	9	33	12	0	54	5	297	18	0	320	13	60	13	0	86	15	240	17	0	272	732
17:30	10	29	9	0	48	11	294	13	0	318	18	53	11	0	82	17	226	21	0	264	712
Total Volume	29	119	48	1	197	22	1107	74	0	1203	56	195	49	0	300	53	955	80	0	1088	2788
% App. Total	14.7	60.4	24.4	0.5		1.8	92	6.2	0		18.7	65	16.3	0		4.9	87.8	7.4	0		
PHF	.725	.875	.706	.250	.864	.500	.919	.617	.000	.895	.778	.813	.681	.000	.872	.779	.959	.667	.000	.978	.931

Peak Hour Analysis From 14:00 to 17:45 - Peak 1 of 1
 Peak Hour for Entire Intersection Begins at 16:45

