



MINNESOTA DEPT OF TRANSPORTATION

TRAFFIC DATA COLLECTION - METRO

MN-55 AT MN-13
 REF.PT.: 199.935
 DATA COLLECTED BY TDI
 TURN MOVEMENT COUNT

File Name : mn-55 at mn-13 2007
 Site Code : 00198713
 Start Date : 5/15/2007
 Page No : 1

Groups Printed- Unshifted

Start Time	MN-55 Southbound				MN-13 Westbound				MN-55 Northbound				MN-13 Eastbound				Int. Total
	Left	Thru	Right	Peds	Left	Thru	Right	Peds	Left	Thru	Right	Peds	Left	Thru	Right	Peds	
06:00	0	110	23	0	3	3	1	0	6	152	0	1	46	6	1	0	352
06:15	0	148	50	0	1	6	1	0	1	234	3	0	70	5	0	0	519
06:30	1	204	37	0	1	4	0	0	4	271	1	0	105	16	3	0	647
06:45	1	256	68	0	0	11	3	0	3	267	4	0	109	15	7	0	744
Total	2	718	178	0	5	24	5	0	14	924	8	1	330	42	11	0	2262
07:00	0	227	50	0	6	6	4	0	4	363	1	0	174	26	5	0	866
07:15	2	288	65	0	7	9	5	0	2	383	5	0	169	30	11	0	976
07:30	0	304	90	0	12	18	2	0	1	398	3	0	186	23	11	0	1048
07:45	1	315	89	0	11	14	1	0	4	333	5	0	143	34	19	0	969
Total	3	1134	294	0	36	47	12	0	11	1477	14	0	672	113	46	0	3859
08:00	3	293	106	0	7	15	1	0	8	337	10	0	128	30	11	0	949
08:15	2	276	89	0	2	15	2	0	8	254	6	0	118	22	12	0	806
08:30	3	222	64	0	5	8	1	0	5	248	4	0	104	24	14	0	702
08:45	1	219	66	0	6	15	1	0	6	171	5	0	83	17	7	0	597
Total	9	1010	325	0	20	53	5	0	27	1010	25	0	433	93	44	0	3054
*** BREAK ***																	
11:00	6	113	30	0	5	10	2	0	6	121	4	0	35	15	6	0	353
11:15	1	111	39	0	2	13	3	0	4	136	1	0	38	12	4	0	364
11:30	0	142	30	0	1	13	4	0	4	123	9	0	39	20	8	0	393
11:45	0	120	42	0	3	15	1	0	6	136	2	0	49	18	7	0	399
Total	7	486	141	0	11	51	10	0	20	516	16	0	161	65	25	0	1509
12:00	4	128	50	0	4	14	0	0	12	154	14	0	38	9	8	0	435
12:15	2	127	38	0	8	13	0	0	11	120	5	0	37	21	14	0	396
12:30	3	135	39	0	3	13	1	0	5	104	5	0	36	25	10	0	379
12:45	4	136	40	0	2	12	0	0	10	103	2	0	54	22	6	0	391
Total	13	526	167	0	17	52	1	0	38	481	26	0	165	77	38	0	1601
*** BREAK ***																	
15:00	2	192	73	1	1	12	0	0	6	226	6	0	50	16	13	1	599
15:15	4	238	77	0	7	16	1	0	7	165	5	0	44	20	8	0	592
15:30	2	240	124	0	7	19	2	0	8	255	5	0	78	22	8	0	770
15:45	2	247	128	0	5	17	2	0	4	245	6	0	47	29	13	0	745
Total	10	917	402	1	20	64	5	0	25	891	22	0	219	87	42	1	2706
16:00	5	280	166	0	2	19	2	0	9	261	9	0	92	18	5	0	868
16:15	2	328	199	0	7	14	0	0	14	255	4	0	67	28	9	0	927
16:30	4	354	240	0	4	18	1	0	12	306	9	0	98	33	11	0	1090
16:45	3	377	244	0	6	19	3	0	14	307	9	0	75	30	6	0	1093
Total	14	1339	849	0	19	70	6	0	49	1129	31	0	332	109	31	0	3978
17:00	3	367	223	0	6	31	1	0	19	355	15	0	125	43	8	0	1196
17:15	5	401	274	0	5	30	3	2	18	360	11	1	86	35	4	0	1235
17:30	3	343	229	0	5	32	4	0	9	285	14	0	92	35	4	0	1055
17:45	3	413	247	0	4	23	2	0	18	238	16	0	56	24	7	0	1051
Total	14	1524	973	0	20	116	10	2	64	1238	56	1	359	137	23	0	4537



MINNESOTA DEPT OF TRANSPORTATION
 TRAFFIC DATA COLLECTION - METRO

MN-55 AT MN-13
 REF.PT.: 199.935
 DATA COLLECTED BY TDI
 TURN MOVEMENT COUNT

File Name : mn-55 at mn-13 2007
 Site Code : 00198713
 Start Date : 5/15/2007
 Page No : 2

Groups Printed- Unshifted

	MN-55 Southbound				MN-13 Westbound				MN-55 Northbound				MN-13 Eastbound				Int. Total
	Left	Thru	Right	Peds	Left	Thru	Right	Peds	Left	Thru	Right	Peds	Left	Thru	Right	Peds	
Grand Total	72	7654	3329	1	148	477	54	2	248	7666	198	2	2671	723	260	1	23506
Apprch %	0.7	69.2	30.1	0	21.7	70	7.9	0.3	3.1	94.5	2.4	0	73.1	19.8	7.1	0	
Total %	0.3	32.6	14.2	0	0.6	2	0.2	0	1.1	32.6	0.8	0	11.4	3.1	1.1	0	



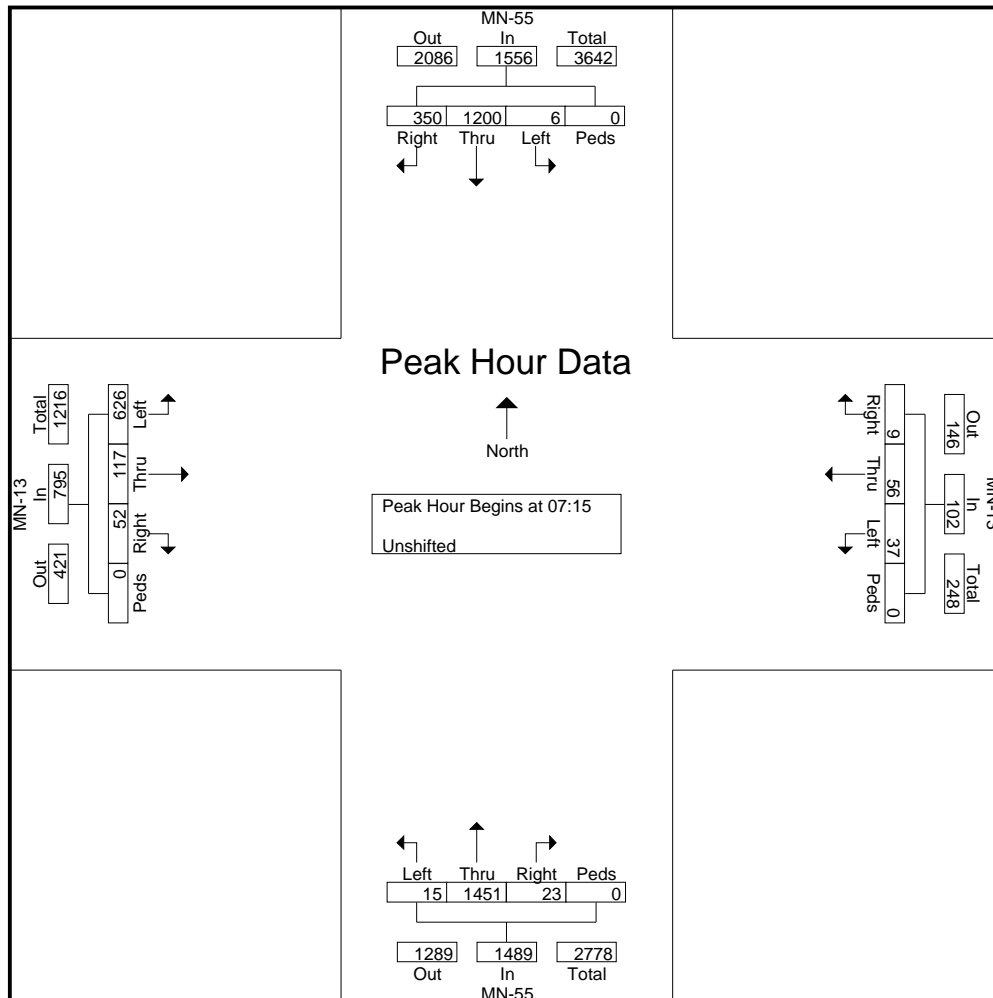
MINNESOTA DEPT OF TRANSPORTATION

TRAFFIC DATA COLLECTION - METRO

MN-55 AT MN-13
 REF.PT.: 199.935
 DATA COLLECTED BY TDI
 TURN MOVEMENT COUNT

File Name : mn-55 at mn-13 2007
 Site Code : 00198713
 Start Date : 5/15/2007
 Page No : 3

Start Time	MN-55 Southbound					MN-13 Westbound					MN-55 Northbound					MN-13 Eastbound					Int. Total
	Left	Thru	Right	Peds	App. Total	Left	Thru	Right	Peds	App. Total	Left	Thru	Right	Peds	App. Total	Left	Thru	Right	Peds	App. Total	
Peak Hour Analysis From 06:00 to 08:45 - Peak 1 of 1																					
Peak Hour for Entire Intersection Begins at 07:15																					
07:15	2	288	65	0	355	7	9	5	0	21	2	383	5	0	390	169	30	11	0	210	976
07:30	0	304	90	0	394	12	18	2	0	32	1	398	3	0	402	186	23	11	0	220	1048
07:45	1	315	89	0	405	11	14	1	0	26	4	333	5	0	342	143	34	19	0	196	969
08:00	3	293	106	0	402	7	15	1	0	23	8	337	10	0	355	128	30	11	0	169	949
Total Volume	6	1200	350	0	1556	37	56	9	0	102	15	1451	23	0	1489	626	117	52	0	795	3942
% App. Total	0.4	77.1	22.5	0		36.3	54.9	8.8	0		1	97.4	1.5	0		78.7	14.7	6.5	0		
PHF	.500	.952	.825	.000	.960	.771	.778	.450	.000	.797	.469	.911	.575	.000	.926	.841	.860	.684	.000	.903	.940





MINNESOTA DEPT OF TRANSPORTATION

TRAFFIC DATA COLLECTION - METRO

MN-55 AT MN-13
 REF.PT.: 199.935
 DATA COLLECTED BY TDI
 TURN MOVEMENT COUNT

File Name : mn-55 at mn-13 2007
 Site Code : 00198713
 Start Date : 5/15/2007
 Page No : 4

Start Time	MN-55 Southbound					MN-13 Westbound					MN-55 Northbound					MN-13 Eastbound					Int. Total
	Left	Thru	Right	Peds	App. Total	Left	Thru	Right	Peds	App. Total	Left	Thru	Right	Peds	App. Total	Left	Thru	Right	Peds	App. Total	
Peak Hour Analysis From 15:00 to 17:45 - Peak 1 of 1																					
Peak Hour for Entire Intersection Begins at 16:30																					
16:30	4	354	240	0	598	4	18	1	0	23	12	306	9	0	327	98	33	11	0	142	1090
16:45	3	377	244	0	624	6	19	3	0	28	14	307	9	0	330	75	30	6	0	111	1093
17:00	3	367	223	0	593	6	31	1	0	38	19	355	15	0	389	125	43	8	0	176	1196
17:15	5	401	274	0	680	5	30	3	2	40	18	360	11	1	390	86	35	4	0	125	1235
Total Volume	15	1499	981	0	2495	21	98	8	2	129	63	1328	44	1	1436	384	141	29	0	554	4614
% App. Total	0.6	60.1	39.3	0		16.3	76	6.2	1.6		4.4	92.5	3.1	0.1		69.3	25.5	5.2	0		
PHF	.750	.935	.895	.000	.917	.875	.790	.667	.250	.806	.829	.922	.733	.250	.921	.768	.820	.659	.000	.787	.934

