



MINNESOTA DEPT OF TRANSPORTATION

TRAFFIC DATA COLLECTION - METRO

2nd St W (main street) at Eddy St
 Ref.Pt.: HASTINGS
 JAMAR #632 DR
 TURN MOVEMENT COUNT

File Name : 2nd St W at Eddy St HASTINGS 2008
 Site Code : 00000000
 Start Date : 4/30/2008
 Page No : 1

Groups Printed- Cars & Trucks

Start Time	Business Driveway Southbound				2nd St W Westbound				Eddy St. Northbound				2nd St W Eastbound				Int. Total
	Left	Thru	Right	Peds	Left	Thru	Right	Peds	Left	Thru	Right	Peds	Left	Thru	Right	Peds	
06:00	0	0	0	0	1	25	0	0	3	0	2	0	0	25	0	0	56
06:15	0	0	0	0	0	35	0	0	0	0	1	0	0	21	0	0	57
06:30	0	0	0	0	0	53	0	0	2	0	1	0	0	35	2	0	93
06:45	0	0	0	0	0	68	1	0	1	0	0	0	1	40	0	0	111
Total	0	0	0	0	1	181	1	0	6	0	4	0	1	121	2	0	317
07:00	0	0	0	0	1	53	1	0	3	0	0	0	1	42	3	0	104
07:15	0	0	0	0	1	83	0	0	3	0	0	0	1	58	3	0	149
07:30	0	0	0	0	0	107	0	0	1	0	4	0	1	54	1	0	168
07:45	0	0	0	0	1	64	0	0	3	0	4	0	0	61	2	0	135
Total	0	0	0	0	3	307	1	0	10	0	8	0	3	215	9	0	556
08:00	0	0	0	0	1	54	1	0	2	0	2	0	0	44	1	0	105
08:15	0	1	0	0	1	41	0	0	4	1	2	0	0	36	0	0	86
08:30	0	0	0	0	2	49	0	0	4	0	3	0	0	44	1	0	103
08:45	0	0	0	0	1	58	0	0	5	0	2	0	0	56	3	0	125
Total	0	1	0	0	5	202	1	0	15	1	9	0	0	180	5	0	419
*** BREAK ***																	
15:00	0	0	0	0	3	58	0	0	2	0	3	0	0	69	1	0	136
15:15	0	0	0	0	6	58	1	0	3	0	10	0	0	78	1	0	157
15:30	0	1	0	0	13	58	0	0	4	0	4	0	0	84	5	0	169
15:45	0	0	1	0	4	58	0	0	2	0	5	0	0	83	9	0	162
Total	0	1	1	0	26	232	1	0	11	0	22	0	0	314	16	0	624
16:00	1	1	2	0	6	48	1	0	5	1	5	0	0	81	2	0	153
16:15	2	0	1	0	2	55	0	0	3	0	4	0	0	72	5	0	144
16:30	0	0	1	0	5	58	0	0	6	0	4	0	0	76	5	0	155
16:45	0	0	0	0	4	59	0	0	5	0	5	0	0	86	4	0	163
Total	3	1	4	0	17	220	1	0	19	1	18	0	0	315	16	0	615
17:00	0	0	0	0	0	66	0	0	5	0	1	0	0	81	1	0	154
17:15	0	0	0	0	4	57	0	0	6	0	2	0	0	118	8	0	195
17:30	0	0	0	0	0	47	0	0	2	0	7	0	0	89	4	0	149
17:45	0	0	0	0	4	45	0	0	3	0	7	0	0	94	2	0	155
Total	0	0	0	0	8	215	0	0	16	0	17	0	0	382	15	0	653
Grand Total	3	3	5	0	60	1357	5	0	77	2	78	0	4	1527	63	0	3184
Apprch %	27.3	27.3	45.5	0	4.2	95.4	0.4	0	49	1.3	49.7	0	0.3	95.8	4	0	
Total %	0.1	0.1	0.2	0	1.9	42.6	0.2	0	2.4	0.1	2.4	0	0.1	48	2	0	



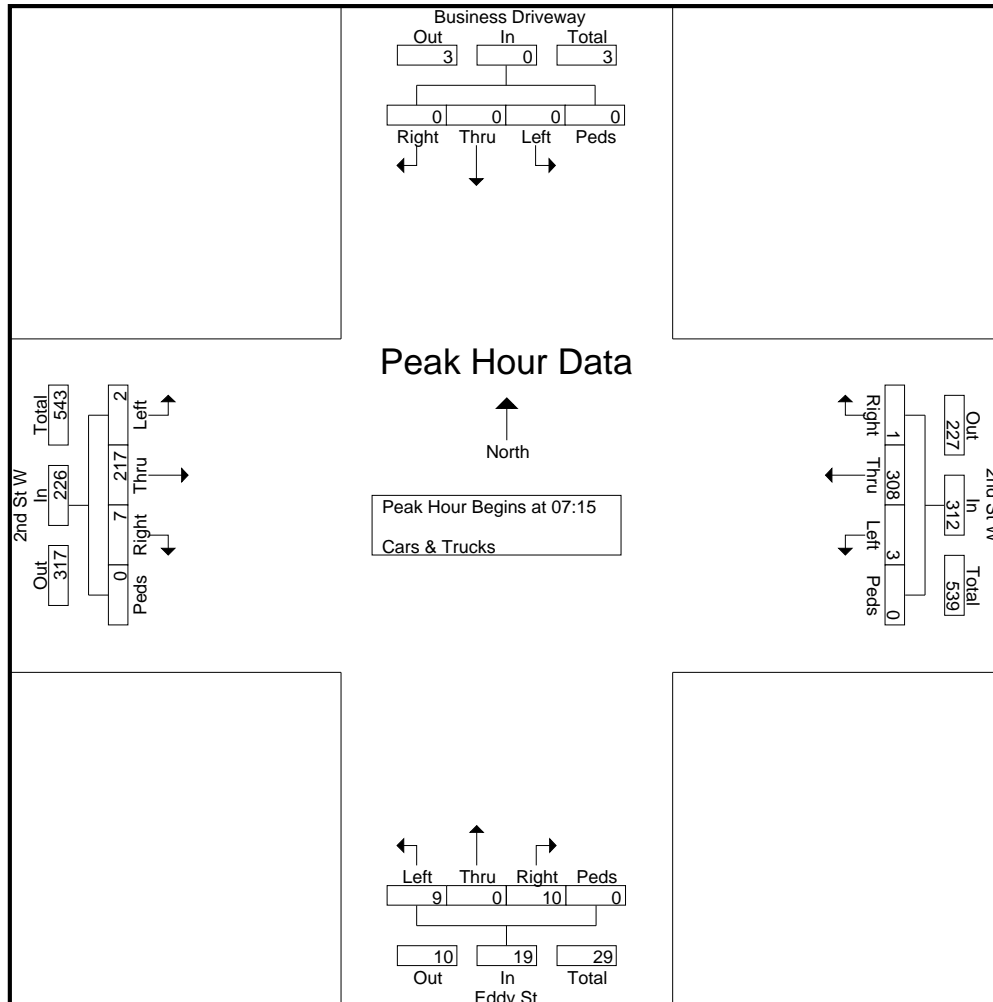
MINNESOTA DEPT OF TRANSPORTATION

TRAFFIC DATA COLLECTION - METRO

2nd St W (main street) at Eddy St
 Ref.Pt.: HASTINGS
 JAMAR #632 DR
 TURN MOVEMENT COUNT

File Name : 2nd St W at Eddy St HASTINGS 2008
 Site Code : 00000000
 Start Date : 4/30/2008
 Page No : 2

Start Time	Business Driveway Southbound					2nd St W Westbound					Eddy St. Northbound					2nd St W Eastbound					Int. Total
	Left	Thru	Right	Peds	App. Total	Left	Thru	Right	Peds	App. Total	Left	Thru	Right	Peds	App. Total	Left	Thru	Right	Peds	App. Total	
Peak Hour Analysis From 06:00 to 08:45 - Peak 1 of 1																					
Peak Hour for Entire Intersection Begins at 07:15																					
07:15	0	0	0	0	0	1	83	0	0	84	3	0	0	0	3	1	58	3	0	62	149
07:30	0	0	0	0	0	0	107	0	0	107	1	0	4	0	5	1	54	1	0	56	168
07:45	0	0	0	0	0	1	64	0	0	65	3	0	4	0	7	0	61	2	0	63	135
08:00	0	0	0	0	0	1	54	1	0	56	2	0	2	0	4	0	44	1	0	45	105
Total Volume	0	0	0	0	0	3	308	1	0	312	9	0	10	0	19	2	217	7	0	226	557
% App. Total																					
PHF	.000	.000	.000	.000	.000	.750	.720	.250	.000	.729	.750	.000	.625	.000	.679	.500	.889	.583	.000	.897	.829





MINNESOTA DEPT OF TRANSPORTATION

TRAFFIC DATA COLLECTION - METRO

2nd St W (main street) at Eddy St
 Ref.Pt.: HASTINGS
 JAMAR #632 DR
 TURN MOVEMENT COUNT

File Name : 2nd St W at Eddy St HASTINGS 2008
 Site Code : 00000000
 Start Date : 4/30/2008
 Page No : 3

Start Time	Business Driveway Southbound					2nd St W Westbound					Eddy St. Northbound					2nd St W Eastbound					Int. Total
	Left	Thru	Right	Peds	App. Total	Left	Thru	Right	Peds	App. Total	Left	Thru	Right	Peds	App. Total	Left	Thru	Right	Peds	App. Total	
Peak Hour Analysis From 15:00 to 17:45 - Peak 1 of 1																					
Peak Hour for Entire Intersection Begins at 16:30																					
16:30	0	0	1	0	1	5	58	0	0	63	6	0	4	0	10	0	76	5	0	81	155
16:45	0	0	0	0	0	4	59	0	0	63	5	0	5	0	10	0	86	4	0	90	163
17:00	0	0	0	0	0	0	66	0	0	66	5	0	1	0	6	0	81	1	0	82	154
17:15	0	0	0	0	0	4	57	0	0	61	6	0	2	0	8	0	118	8	0	126	195
Total Volume	0	0	1	0	1	13	240	0	0	253	22	0	12	0	34	0	361	18	0	379	667
% App. Total																					
PHF	.000	.000	.250	.000	.250	.650	.909	.000	.000	.958	.917	.000	.600	.000	.850	.000	.765	.563	.000	.752	.855

