

ALLIANT ENGINEERING INC.

733 S Marquette Ave #700, Minneapolis, MN 55402

520_TH 61 & Buffalo St
 Ref. Pt: 148+00.663
 data by: Alliant Inc
 TURN MOVEMENT COUNT

File Name : 520_TH 61 & Buffalo Street
 Site Code : 00000520
 Start Date : 11/7/2019
 Page No : 1

Groups Printed- Class 1 - Class 2

Start Time	TH 61 From North					4th St From East					TH 61 From South					4th St From West					Int. Total	
	Right	Thru	Left	Peds	App. Total	Right	Thru	Left	Peds	App. Total	Right	Thru	Left	Peds	App. Total	Right	Thru	Left	Peds	App. Total		
06:00 AM	4	155	3	0	162	5	2	9	0	16	2	28	1	0	31	8	0	2	0	10	10	219
06:15 AM	8	216	4	0	228	9	4	21	0	34	1	43	1	0	45	6	0	8	0	14	14	321
06:30 AM	16	287	6	0	309	10	6	19	0	35	0	71	4	0	75	13	7	5	0	25	25	444
06:45 AM	20	284	19	0	323	14	16	30	0	60	1	87	3	0	91	13	5	8	0	26	26	500
Total	48	942	32	0	1022	38	28	79	0	145	4	229	9	0	242	40	12	23	0	75	75	1484
07:00 AM	24	270	6	0	300	15	33	39	0	87	5	50	1	0	56	19	13	9	0	41	41	484
07:15 AM	31	332	7	0	370	15	22	31	0	68	2	79	4	0	85	10	9	15	0	34	34	557
07:30 AM	8	336	12	0	356	16	21	33	0	70	2	56	7	0	65	22	15	13	0	50	50	541
07:45 AM	15	288	9	0	312	17	15	34	0	66	5	68	1	0	74	18	7	6	0	31	31	483
Total	78	1226	34	0	1338	63	91	137	0	291	14	253	13	0	280	69	44	43	0	156	156	2065
08:00 AM	15	217	12	0	244	15	10	18	0	43	8	106	3	0	117	10	6	16	0	32	32	436
08:15 AM	7	179	8	0	194	11	4	16	0	31	4	78	7	0	89	4	3	11	0	18	18	332
08:30 AM	4	176	14	0	194	8	11	15	0	34	7	71	11	0	89	5	7	4	0	16	16	333
08:45 AM	16	196	9	0	221	7	15	15	0	37	7	71	2	0	80	13	5	6	0	24	24	362
Total	42	768	43	0	853	41	40	64	0	145	26	326	23	0	375	32	21	37	0	90	90	1463
09:00 AM	11	161	10	0	182	6	9	12	0	27	6	88	4	0	98	9	6	10	0	25	25	332
09:15 AM	8	132	10	0	150	8	5	11	0	24	9	89	4	0	102	13	7	6	0	26	26	302
*** BREAK ***																						
Total	19	293	20	0	332	14	14	23	0	51	15	177	8	0	200	22	13	16	0	51	51	634
*** BREAK ***																						
10:30 AM	5	119	8	0	132	7	3	11	0	21	7	89	7	0	103	8	5	6	0	19	19	275
10:45 AM	4	96	5	0	105	10	0	15	0	25	6	99	4	0	109	8	9	10	0	27	27	266
Total	9	215	13	0	237	17	3	26	0	46	13	188	11	0	212	16	14	16	0	46	46	541
11:00 AM	7	114	6	0	127	9	5	16	0	30	8	100	5	0	113	4	2	9	0	15	15	285
11:15 AM	7	120	11	0	138	10	5	15	0	30	9	87	6	0	102	9	4	7	0	20	20	290
11:30 AM	3	124	4	0	131	8	4	14	0	26	9	108	12	0	129	10	5	6	0	21	21	307
11:45 AM	3	121	4	0	128	5	3	3	0	11	8	107	2	0	117	7	6	8	0	21	21	277
Total	20	479	25	0	524	32	17	48	0	97	34	402	25	0	461	30	17	30	0	77	77	1159
12:00 PM	9	128	10	0	147	3	5	10	0	18	9	108	4	0	121	11	5	10	0	26	26	312
12:15 PM	5	101	8	0	114	11	3	11	0	25	6	78	3	0	87	6	4	5	0	15	15	241
12:30 PM	5	120	7	0	132	5	5	4	0	14	8	122	9	0	139	9	8	8	0	25	25	310
12:45 PM	6	110	9	0	125	8	4	10	0	22	8	134	9	0	151	10	5	6	0	21	21	319
Total	25	459	34	0	518	27	17	35	0	79	31	442	25	0	498	36	22	29	0	87	87	1182
01:00 PM	7	95	3	0	105	4	6	8	0	18	10	110	10	0	130	13	4	5	0	22	22	275
01:15 PM	4	89	8	0	101	12	5	6	0	23	11	117	7	0	135	11	1	12	0	24	24	283
*** BREAK ***																						
Total	11	184	11	0	206	16	11	14	0	41	21	227	17	0	265	24	5	17	0	46	46	558
*** BREAK ***																						
02:30 PM	8	103	20	0	131	9	5	6	0	20	11	164	6	0	181	8	12	12	0	32	32	364
02:45 PM	11	100	6	0	117	17	16	11	0	44	16	190	9	0	215	12	5	8	0	25	25	401
Total	19	203	26	0	248	26	21	17	0	64	27	354	15	0	396	20	17	20	0	57	57	765
03:00 PM	14	153	10	0	177	23	10	11	0	44	16	216	12	0	244	6	8	18	0	32	32	497
03:15 PM	8	126	6	0	140	20	9	14	0	43	16	190	19	0	225	7	16	18	0	41	41	449
03:30 PM	10	138	9	0	157	16	6	8	0	30	16	200	13	0	229	9	8	19	0	36	36	452
03:45 PM	5	153	10	0	168	12	11	10	0	33	23	239	9	0	271	13	18	14	0	45	45	517
Total	37	570	35	0	642	71	36	43	0	150	71	845	53	0	969	35	50	69	0	154	154	1915

ALLIANT ENGINEERING INC.

733 S Marquette Ave #700, Minneapolis, MN 55402

520_TH 61 & Buffalo St
 Ref. Pt: 148+00.663
 data by: Alliant Inc
 TURN MOVEMENT COUNT

File Name : 520_TH 61 & Buffalo Street
 Site Code : 00000520
 Start Date : 11/7/2019
 Page No : 2

Groups Printed- Class 1 - Class 2

Start Time	TH 61 From North					4th St From East					TH 61 From South					4th St From West					Int. Total
	Right	Thru	Left	Peds	App. Total	Right	Thru	Left	Peds	App. Total	Right	Thru	Left	Peds	App. Total	Right	Thru	Left	Peds	App. Total	
04:00 PM	12	156	9	0	177	11	14	6	0	31	23	256	16	0	295	10	21	10	0	41	544
04:15 PM	8	124	10	0	142	17	5	5	0	27	21	200	10	0	231	11	18	14	0	43	443
04:30 PM	10	165	11	0	186	22	17	20	0	59	21	224	12	0	257	10	14	18	0	42	544
04:45 PM	15	180	8	0	203	10	10	16	0	36	25	272	12	0	309	14	15	15	0	44	592
Total	45	625	38	0	708	60	46	47	0	153	90	952	50	0	1092	45	68	57	0	170	2123
05:00 PM	7	166	10	0	183	17	9	13	0	39	19	230	12	0	261	11	18	16	0	45	528
05:15 PM	6	133	16	0	155	14	6	12	0	32	28	227	14	0	269	8	21	10	0	39	495
05:30 PM	7	158	7	0	172	19	11	18	0	48	21	217	16	0	254	12	19	12	0	43	517
05:45 PM	13	121	14	0	148	14	10	10	0	34	16	198	16	0	230	15	13	5	0	33	445
Total	33	578	47	0	658	64	36	53	0	153	84	872	58	0	1014	46	71	43	0	160	1985
Grand Total	386	6542	358	0	7286	469	360	586	0	1415	430	5267	307	0	6004	415	354	400	0	1169	15874
Apprch %	5.3	89.8	4.9	0		33.1	25.4	41.4	0		7.2	87.7	5.1	0		35.5	30.3	34.2	0		
Total %	2.4	41.2	2.3	0	45.9	3	2.3	3.7	0	8.9	2.7	33.2	1.9	0	37.8	2.6	2.2	2.5	0	7.4	
Class 1	355	6225	344	0	6924	445	354	581	0	1380	421	4992	297	0	5710	409	346	347	0	1102	15116
% Class 1	92	95.2	96.1	0	95	94.9	98.3	99.1	0	97.5	97.9	94.8	96.7	0	95.1	98.6	97.7	86.8	0	94.3	95.2
Class 2	31	317	14	0	362	24	6	5	0	35	9	275	10	0	294	6	8	53	0	67	758
% Class 2	8	4.8	3.9	0	5	5.1	1.7	0.9	0	2.5	2.1	5.2	3.3	0	4.9	1.4	2.3	13.2	0	5.7	4.8

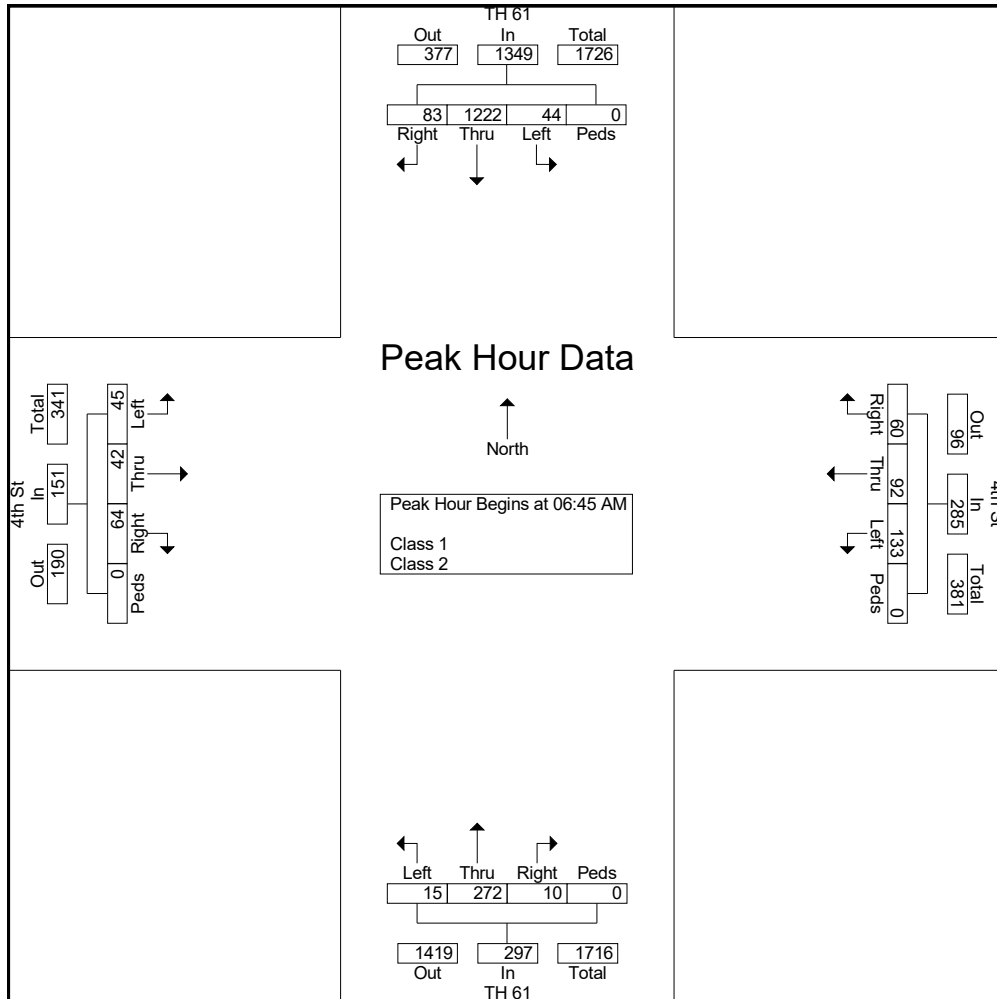
ALLIANT ENGINEERING INC.

733 S Marquette Ave #700, Minneapolis, MN 55402

520_TH 61 & Buffalo St
 Ref. Pt: 148+00.663
 data by: Alliant Inc
TURN MOVEMENT COUNT

File Name : 520_TH 61 & Buffalo Street
 Site Code : 00000520
 Start Date : 11/7/2019
 Page No : 3

Start Time	TH 61 From North					4th St From East					TH 61 From South					4th St From West					Int. Total
	Right	Thru	Left	Peds	App. Total	Right	Thru	Left	Peds	App. Total	Right	Thru	Left	Peds	App. Total	Right	Thru	Left	Peds	App. Total	
Peak Hour Analysis From 06:00 AM to 11:45 AM - Peak 1 of 1																					
Peak Hour for Entire Intersection Begins at 06:45 AM																					
06:45 AM	20	284	19	0	323	14	16	30	0	60	1	87	3	0	91	13	5	8	0	26	500
07:00 AM	24	270	6	0	300	15	33	39	0	87	5	50	1	0	56	19	13	9	0	41	484
07:15 AM	31	332	7	0	370	15	22	31	0	68	2	79	4	0	85	10	9	15	0	34	557
07:30 AM	8	336	12	0	356	16	21	33	0	70	2	56	7	0	65	22	15	13	0	50	541
Total Volume	83	1222	44	0	1349	60	92	133	0	285	10	272	15	0	297	64	42	45	0	151	2082
% App. Total	6.2	90.6	3.3	0		21.1	32.3	46.7	0		3.4	91.6	5.1	0		42.4	27.8	29.8	0		
PHF	.669	.909	.579	.000	.911	.938	.697	.853	.000	.819	.500	.782	.536	.000	.816	.727	.700	.750	.000	.755	.934



ALLIANT ENGINEERING INC.

733 S Marquette Ave #700, Minneapolis, MN 55402

520_TH 61 & Buffalo St
 Ref. Pt: 148+00.663
 data by: Alliant Inc
 TURN MOVEMENT COUNT

File Name : 520_TH 61 & Buffalo Street
 Site Code : 00000520
 Start Date : 11/7/2019
 Page No : 4

Start Time	TH 61 From North					4th St From East					TH 61 From South					4th St From West					Int. Total
	Right	Thru	Left	Peds	App. Total	Right	Thru	Left	Peds	App. Total	Right	Thru	Left	Peds	App. Total	Right	Thru	Left	Peds	App. Total	
Peak Hour Analysis From 12:00 PM to 05:45 PM - Peak 1 of 1																					
Peak Hour for Entire Intersection Begins at 04:30 PM																					
04:30 PM	10	165	11	0	186	22	17	20	0	59	21	224	12	0	257	10	14	18	0	42	544
04:45 PM	15	180	8	0	203	10	10	16	0	36	25	272	12	0	309	14	15	15	0	44	592
05:00 PM	7	166	10	0	183	17	9	13	0	39	19	230	12	0	261	11	18	16	0	45	528
05:15 PM	6	133	16	0	155	14	6	12	0	32	28	227	14	0	269	8	21	10	0	39	495
Total Volume	38	644	45	0	727	63	42	61	0	166	93	953	50	0	1096	43	68	59	0	170	2159
% App. Total	5.2	88.6	6.2	0		38	25.3	36.7	0		8.5	87	4.6	0		25.3	40	34.7	0		
PHF	.633	.894	.703	.000	.895	.716	.618	.763	.000	.703	.830	.876	.893	.000	.887	.768	.810	.819	.000	.944	.912

