



MINNESOTA DEPT OF TRANSPORTATION

TRAFFIC DATA COLLECTION - METRO

TH-61 at 125th St N HUGO
 Ref.Pt.: 150.550
 JAMAR # T2638 CAH
 TURN MOVEMENT COUNT

File Name : TH-61 at 125th Ave N HUGO 2012
 Site Code : 00000000
 Start Date : 1/5/2012
 Page No : 1

Groups Printed- Cars & Trucks

Start Time	TH-61 Southbound				125th St N Westbound				TH-61 Northbound				125th St N Eastbound				Int. Total
	Left	Thru	Right	Peds	Left	Thru	Right	Peds	Left	Thru	Right	Peds	Left	Thru	Right	Peds	
06:00	0	87	0	0	0	0	0	0	0	19	0	0	2	0	0	0	108
06:15	0	118	0	0	0	0	0	0	1	27	0	0	1	0	2	0	149
06:30	0	158	1	0	2	0	0	0	0	59	0	0	1	0	1	0	222
06:45	0	167	0	0	0	0	1	0	1	52	0	0	0	0	1	0	222
Total	0	530	1	0	2	0	1	0	2	157	0	0	4	0	4	0	701
07:00	2	172	1	0	2	0	0	0	0	33	1	0	0	1	1	0	213
07:15	3	237	0	0	1	0	0	0	1	95	0	0	1	1	1	0	340
07:30	1	249	2	0	0	0	0	0	0	76	0	0	1	0	1	0	330
07:45	1	218	2	0	1	0	0	0	0	87	0	1	1	0	0	0	311
Total	7	876	5	0	4	0	0	0	1	291	1	1	3	2	3	0	1194
08:00	0	138	0	0	2	0	0	0	0	71	1	1	1	0	1	0	215
08:15	0	121	2	0	2	0	1	0	2	82	0	0	0	0	0	0	210
08:30	0	88	1	0	1	0	0	0	3	34	0	0	1	0	0	0	128
08:45	0	136	1	0	3	0	0	0	0	61	0	0	3	1	3	0	208
Total	0	483	4	0	8	0	1	0	5	248	1	1	5	1	4	0	761
*** BREAK ***																	
15:00	0	65	1	0	2	1	0	0	4	89	3	0	1	0	0	0	166
15:15	1	99	2	0	2	0	1	0	5	184	0	0	1	0	1	0	296
15:30	1	127	2	0	0	0	1	0	3	167	3	0	2	0	0	0	306
15:45	0	33	0	0	0	0	0	0	1	62	1	0	0	0	0	0	97
Total	2	324	5	0	4	1	2	0	13	502	7	0	4	0	1	0	865
16:00	0	47	0	0	0	0	0	0	1	84	1	0	0	0	0	0	133
16:15	1	103	3	0	0	0	1	0	2	176	2	0	3	2	0	0	293
16:30	2	145	1	0	0	1	2	0	2	223	2	0	0	0	0	0	378
16:45	1	127	3	0	0	0	1	0	10	209	2	0	1	1	0	0	355
Total	4	422	7	0	0	1	4	0	15	692	7	0	4	3	0	0	1159
17:00	0	131	4	0	0	0	0	0	3	213	2	0	2	0	2	0	357
17:15	0	110	2	0	0	0	0	0	2	217	3	0	3	0	1	0	338
17:30	0	121	3	0	0	0	1	0	3	191	1	0	4	0	2	0	326
17:45	0	104	2	0	0	0	1	0	1	172	0	0	0	0	0	0	280
Total	0	466	11	0	0	0	2	0	9	793	6	0	9	0	5	0	1301
Grand Total	13	3101	33	0	18	2	10	0	45	2683	22	2	29	6	17	0	5981
Apprch %	0.4	98.5	1	0	60	6.7	33.3	0	1.6	97.5	0.8	0.1	55.8	11.5	32.7	0	
Total %	0.2	51.8	0.6	0	0.3	0	0.2	0	0.8	44.9	0.4	0	0.5	0.1	0.3	0	



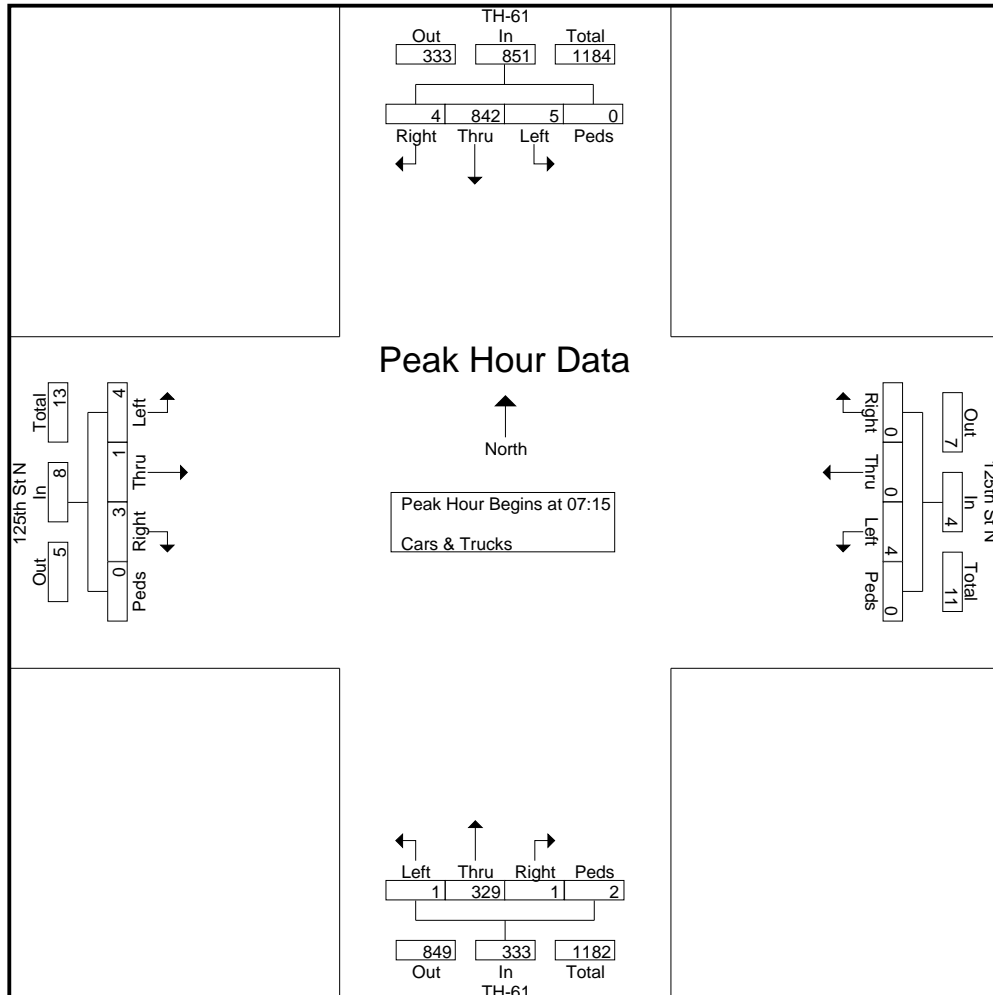
MINNESOTA DEPT OF TRANSPORTATION

TRAFFIC DATA COLLECTION - METRO

TH-61 at 125th St N HUGO
 Ref.Pt.: 150.550
 JAMAR # T2638 CAH
 TURN MOVEMENT COUNT

File Name : TH-61 at 125th Ave N HUGO 2012
 Site Code : 00000000
 Start Date : 1/5/2012
 Page No : 2

Start Time	TH-61 Southbound					125th St N Westbound					TH-61 Northbound					125th St N Eastbound					Int. Total
	Left	Thru	Right	Peds	App. Total	Left	Thru	Right	Peds	App. Total	Left	Thru	Right	Peds	App. Total	Left	Thru	Right	Peds	App. Total	
Peak Hour Analysis From 06:00 to 08:45 - Peak 1 of 1																					
Peak Hour for Entire Intersection Begins at 07:15																					
07:15	3	237	0	0	240	1	0	0	0	1	1	95	0	0	96	1	1	1	0	3	340
07:30	1	249	2	0	252	0	0	0	0	0	0	76	0	0	76	1	0	1	0	2	330
07:45	1	218	2	0	221	1	0	0	0	1	0	87	0	1	88	1	0	0	0	1	311
08:00	0	138	0	0	138	2	0	0	0	2	0	71	1	1	73	1	0	1	0	2	215
Total Volume	5	842	4	0	851	4	0	0	0	4	1	329	1	2	333	4	1	3	0	8	1196
% App. Total	0.6	98.9	0.5	0		100	0	0	0		0.3	98.8	0.3	0.6		50	12.5	37.5	0		
PHF	.417	.845	.500	.000	.844	.500	.000	.000	.000	.500	.250	.866	.250	.500	.867	1.000	.250	.750	.000	.667	.879





MINNESOTA DEPT OF TRANSPORTATION

TRAFFIC DATA COLLECTION - METRO

TH-61 at 125th St N HUGO
 Ref.Pt.: 150.550
 JAMAR # T2638 CAH
 TURN MOVEMENT COUNT

File Name : TH-61 at 125th Ave N HUGO 2012
 Site Code : 00000000
 Start Date : 1/5/2012
 Page No : 3

Start Time	TH-61 Southbound					125th St N Westbound					TH-61 Northbound					125th St N Eastbound					Int. Total
	Left	Thru	Right	Peds	App. Total	Left	Thru	Right	Peds	App. Total	Left	Thru	Right	Peds	App. Total	Left	Thru	Right	Peds	App. Total	
16:30	2	145	1	0	148	0	1	2	0	3	2	223	2	0	227	0	0	0	0	0	378
16:45	1	127	3	0	131	0	0	1	0	1	10	209	2	0	221	1	1	0	0	2	355
17:00	0	131	4	0	135	0	0	0	0	0	3	213	2	0	218	2	0	2	0	4	357
17:15	0	110	2	0	112	0	0	0	0	0	2	217	3	0	222	3	0	1	0	4	338
Total Volume	3	513	10	0	526	0	1	3	0	4	17	862	9	0	888	6	1	3	0	10	1428
% App. Total	0.6	97.5	1.9	0		0	25	75	0		1.9	97.1	1	0		60	10	30	0		
PHF	.375	.884	.625	.000	.889	.000	.250	.375	.000	.333	.425	.966	.750	.000	.978	.500	.250	.375	.000	.625	.944

Peak Hour Analysis From 15:00 to 17:45 - Peak 1 of 1
 Peak Hour for Entire Intersection Begins at 16:30

