

Location: TH 65 at 45th Avenue
 Count Date: 4/18/2017
 Counted By: JDA



TURNING MOVEMENT COUNT DATA
 All Vehicles

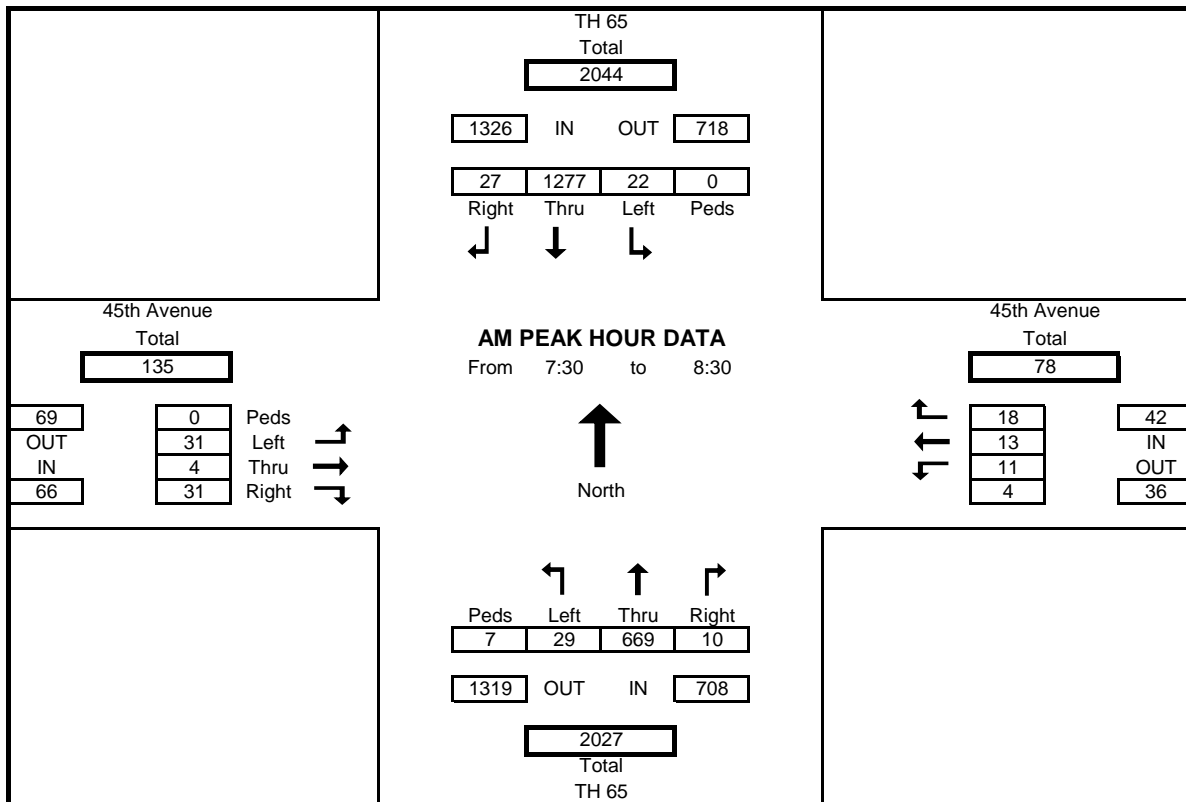
Start Time	TH 65				45th Avenue				TH 65				45th Avenue				Int. Total
	Southbound				Westbound				Northbound				Eastbound				
	Left	Thru	Right	Peds	Left	Thru	Right	Peds	Left	Thru	Right	Peds	Left	Thru	Right	Peds	
6:00	0	111	1	0	3	1	4	0	2	75	0	0	2	0	5	0	204
6:15	0	167	1	0	7	2	1	2	1	77	2	0	1	0	3	0	262
6:30	3	212	4	0	5	1	4	0	2	93	2	0	9	1	8	0	344
6:45	0	211	2	0	0	1	2	0	3	99	0	0	3	3	3	0	327
7:00	2	233	3	0	4	0	4	0	2	120	1	0	2	1	3	0	375
7:15	2	279	3	1	4	4	5	0	3	146	1	1	7	1	3	0	458
7:30	3	341	7	0	2	2	4	0	5	217	1	1	8	1	3	0	594
7:45	8	339	9	0	4	4	4	1	7	168	2	2	5	3	12	0	565
8:00	7	298	10	0	1	4	6	0	7	157	2	3	11	0	9	0	512
8:15	4	299	1	0	4	3	4	3	10	127	5	1	7	0	7	0	471
8:30	2	221	6	0	4	2	6	0	5	140	1	2	2	3	10	0	402
8:45	4	217	6	1	3	0	2	0	9	147	3	0	10	1	8	0	410
9:00	3	189	5	1	4	3	6	1	6	135	3	0	2	1	8	0	365
9:15	3	188	4	0	4	1	5	0	7	126	1	0	6	1	4	0	350
9:30	3	176	8	1	3	1	3	1	13	143	1	0	8	0	6	0	365
9:45	2	147	12	0	3	4	3	0	6	114	0	0	11	0	10	0	312
10:00	4	132	12	1	4	3	2	1	13	149	1	1	14	3	11	0	348
10:15	3	146	8	0	4	3	5	0	10	141	4	0	9	3	10	0	346
10:30	2	162	11	0	5	4	3	0	6	143	1	0	16	1	8	0	362
10:45	3	148	3	0	2	3	1	0	11	157	4	1	22	0	9	0	363
11:00	3	156	15	1	3	6	5	1	17	174	2	1	19	2	8	0	410
11:15	5	170	6	1	2	0	4	2	16	183	1	0	25	0	8	0	420
11:30	3	144	13	2	1	4	3	0	12	179	1	0	28	5	13	1	406
11:45	4	176	8	1	2	5	7	1	19	177	2	0	19	4	11	0	434
12:00	5	162	16	0	6	2	2	0	13	214	8	0	34	2	14	0	478
12:15	8	157	7	3	4	2	3	0	15	204	1	0	23	3	9	0	436
12:30	7	173	14	1	1	1	3	1	13	210	2	2	13	2	10	0	449
12:45	5	178	10	6	2	4	4	1	14	197	3	1	27	3	14	1	461
13:00	9	190	12	2	3	2	7	0	12	220	1	0	26	1	7	0	490
13:15	2	158	7	0	3	5	4	1	16	193	2	0	10	4	19	0	423
13:30	4	175	11	5	2	2	3	1	16	225	4	0	16	3	10	0	471
13:45	2	201	12	1	2	1	5	2	12	191	4	1	15	2	10	0	457
14:00	4	187	14	2	3	6	6	3	21	223	2	0	15	1	10	1	492
14:15	6	213	11	2	8	5	5	2	10	241	4	1	25	4	12	0	544
14:30	3	183	10	1	4	2	6	1	23	231	7	1	23	5	15	0	512
14:45	4	177	8	1	6	5	5	3	19	242	3	1	26	3	10	2	508
15:00	4	181	8	2	3	7	12	2	18	319	2	4	25	4	5	0	588
15:15	10	271	20	2	3	5	7	1	16	306	5	2	28	4	6	2	681
15:30	4	225	15	4	3	4	4	5	9	280	3	0	28	2	14	1	591
15:45	7	213	17	1	4	6	3	3	26	338	3	0	19	4	10	1	650
16:00	5	210	11	6	6	4	5	6	20	335	3	0	31	4	16	0	650
16:15	13	213	14	0	5	4	4	4	26	327	3	0	20	2	11	2	642
16:30	3	199	10	0	7	3	5	1	19	356	3	0	21	6	10	1	642
16:45	7	225	3	1	4	6	3	2	19	340	6	0	28	2	11	4	654
17:00	3	225	8	2	5	8	12	1	29	339	5	0	31	6	10	1	681
17:15	6	244	15	3	2	2	2	2	19	337	3	0	34	3	11	2	678
17:30	5	242	0	3	6	4	4	1	22	351	3	0	19	3	17	0	676
17:45	9	205	9	3	1	7	4	0	25	285	3	0	24	11	11	0	594
18:00	6	210	12	1	3	4	7	2	25	229	3	0	37	5	12	2	553
18:15	5	195	20	2	6	5	6	0	16	228	2	0	30	3	11	1	527
18:30	6	173	15	7	1	8	4	1	20	234	3	0	31	2	16	2	513
18:45	7	182	12	1	3	5	4	0	12	215	3	0	24	6	12	0	485
Total	232	10429	479	72	184	180	232	59	697	10797	135	26	929	134	503	24	24931
Cars+	226	10112	469	69	178	179	227	56	687	10478	129	25	904	131	499	22	24219
Trucks	6	317	10	3	6	1	5	3	10	319	6	1	25	3	4	2	712
% Trucks	2.7	3.1	2.1	4.3	3.4	0.6	2.2	5.4	1.5	3.0	4.7	4.0	2.8	2.3	0.8	9.1	2.9
	3.1				2.1				3.0				2.1				

Location: TH 65 at 45th Avenue
 Count Date: 4/18/2017
 Counted By: JDA



AM PEAK HOUR TURNING MOVEMENT DATA
 All Vehicles

Start Time	TH 65				45th Avenue				TH 65				45th Avenue				Int. Total
	Southbound				Westbound				Northbound				Eastbound				
	Left	Thru	Right	Peds	Left	Thru	Right	Peds	Left	Thru	Right	Peds	Left	Thru	Right	Peds	
7:30	3	341	7	0	2	2	4	0	5	217	1	1	8	1	3	0	594
7:45	8	339	9	0	4	4	4	1	7	168	2	2	5	3	12	0	565
8:00	7	298	10	0	1	4	6	0	7	157	2	3	11	0	9	0	512
8:15	4	299	1	0	4	3	4	3	10	127	5	1	7	0	7	0	471
Total	22	1277	27	0	11	13	18	4	29	669	10	7	31	4	31	0	2142
% App. Total	1.7	96.3	2.0	0.0	0.8	1.0	1.4	0.3	2.2	50.5	0.8	0.5	2.3	0.3	2.3	0.0	
PHF	0.688	0.936	0.675	0.000	0.688	0.813	0.750	0.333	0.725	0.771	0.500	0.583	0.705	0.333	0.646	0.000	0.902
% Trucks	10.0	3.1	3.8	0.0	10.0	0.0	0.0	0.0	7.4	6.0	42.9	0.0	6.9	0.0	0.0	0.0	4.2
	3.2				2.4				6.5				3.1				

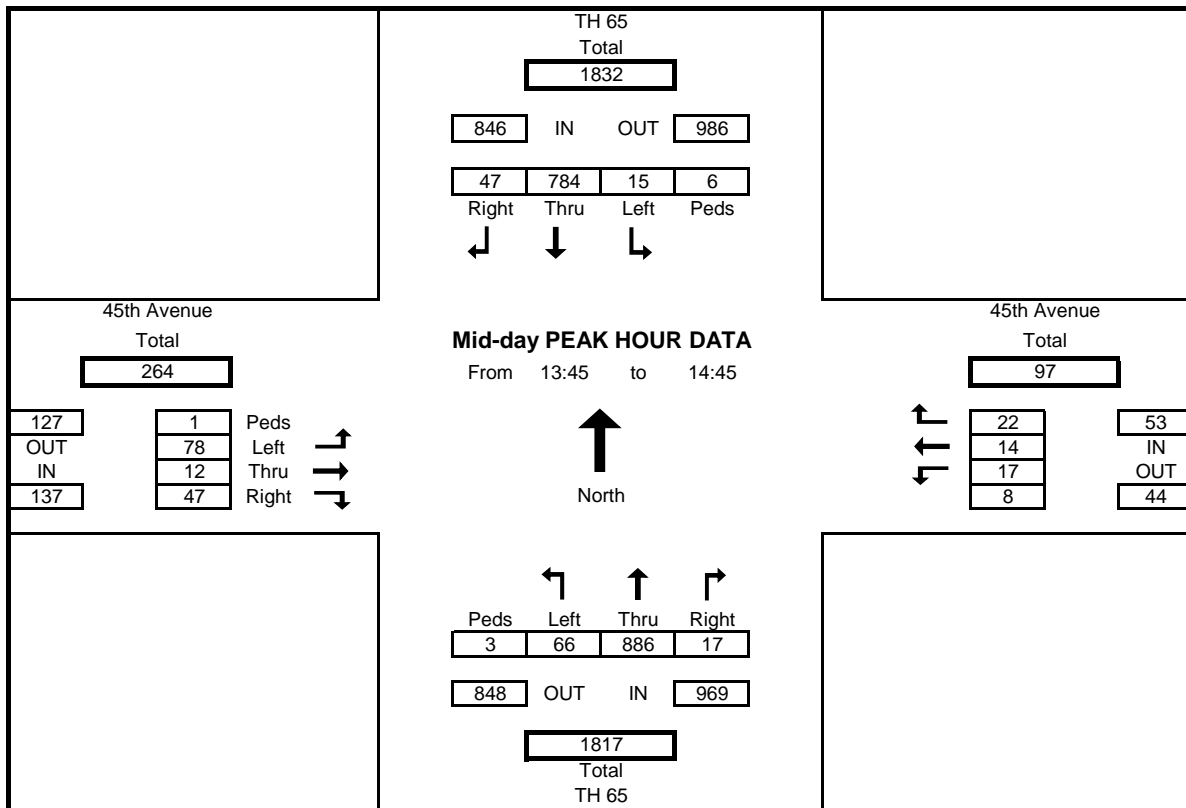


Location: TH 65 at 45th Avenue
 Count Date: 4/18/2017
 Counted By: JDA



Mid-Day PEAK HOUR TURNING MOVEMENT DATA
 All Vehicles

Start Time	TH 65 Southbound				45th Avenue Westbound				TH 65 Northbound				45th Avenue Eastbound				Int. Total
	Left	Thru	Right	Peds	Left	Thru	Right	Peds	Left	Thru	Right	Peds	Left	Thru	Right	Peds	
	13:45	2	201	12	1	2	1	5	2	12	191	4	1	15	2	10	
14:00	4	187	14	2	3	6	6	3	21	223	2	0	15	1	10	1	492
14:15	6	213	11	2	8	5	5	2	10	241	4	1	25	4	12	0	544
14:30	3	183	10	1	4	2	6	1	23	231	7	1	23	5	15	0	512
Total	15	784	47	6	17	14	22	8	66	886	17	3	78	12	47	1	2005
% App. Total	1.8	92.0	5.5	0.7	2.0	1.6	2.6	0.9	7.7	104.0	2.0	0.4	9.2	1.4	5.5	0.1	
PHF	0.625	0.920	0.839	0.750	0.531	0.583	0.917	0.667	0.717	0.919	0.607	0.750	0.780	0.600	0.783	0.250	0.921
% Trucks	0.0	4.5	4.4	0.0	6.3	0.0	4.8	14.3	0.0	2.8	6.3	0.0	5.4	0.0	0.0	0.0	3.5
		4.4				3.9				2.6				3.0			

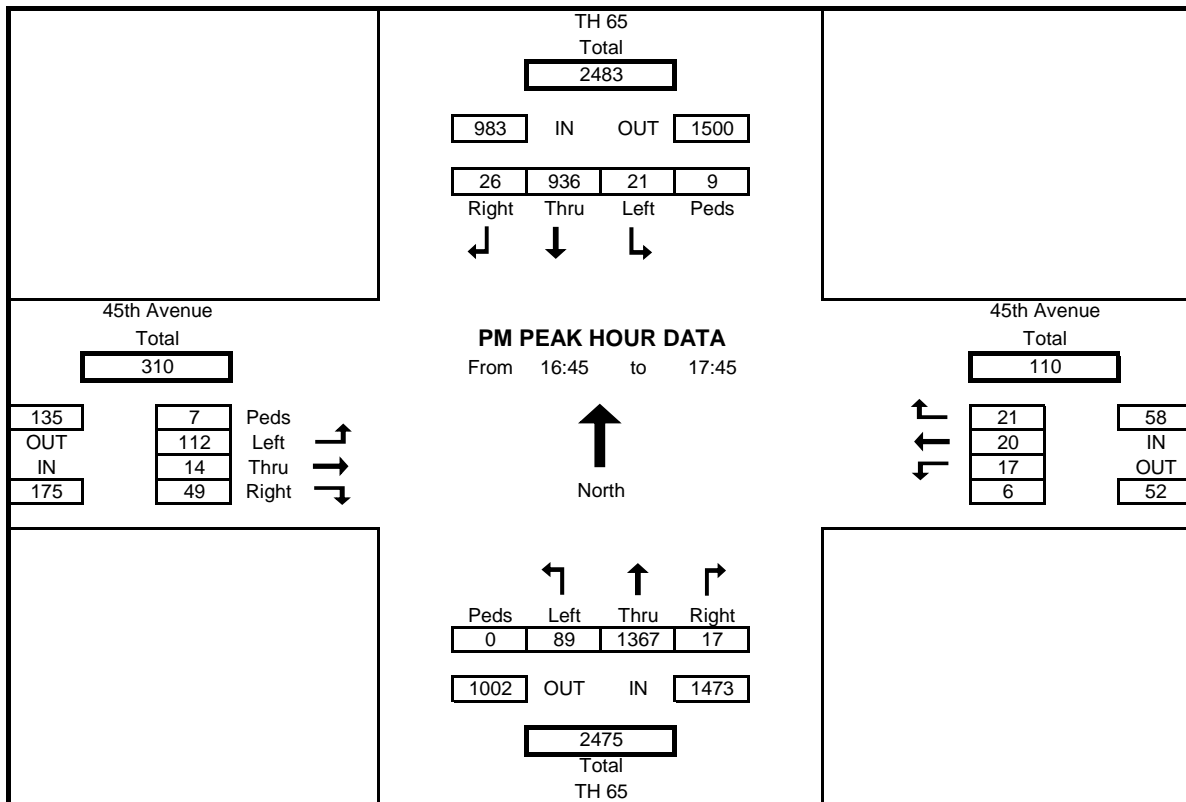


Location: TH 65 at 45th Avenue
 Count Date: 4/18/2017
 Counted By: JDA



AM PEAK HOUR TURNING MOVEMENT DATA
 All Vehicles

Start Time	TH 65				45th Avenue				TH 65				45th Avenue				Int. Total
	Southbound				Westbound				Northbound				Eastbound				
	Left	Thru	Right	Peds	Left	Thru	Right	Peds	Left	Thru	Right	Peds	Left	Thru	Right	Peds	
16:45	7	225	3	1	4	6	3	2	19	340	6	0	28	2	11	4	654
17:00	3	225	8	2	5	8	12	1	29	339	5	0	31	6	10	1	681
17:15	6	244	15	3	2	2	2	2	19	337	3	0	34	3	11	2	678
17:30	5	242	0	3	6	4	4	1	22	351	3	0	19	3	17	0	676
Total	21	936	26	9	17	20	21	6	89	1367	17	0	112	14	49	7	2689
% App. Total	2.1	94.4	2.6	0.9	1.7	2.0	2.1	0.6	9.0	137.8	1.7	0.0	11.3	1.4	4.9	0.7	
PHF	0.750	0.959	0.433	0.750	0.708	0.625	0.438	0.750	0.767	0.974	0.708	0.000	0.824	0.583	0.721	0.438	0.987
% Trucks	0.0	1.8	0.0	0.0	0.0	0.0	0.0	0.0	0.0	2.6	0.0	0.0	0.9	0.0	0.0	16.7	2.0
		1.8			0.0				2.4				0.6				



Location: TH 65 at 45th Avenue
 Count Date: 4/18/2017
 Counted By: JDA



TURNING MOVEMENT COUNT DATA

Cars+

Start Time	TH 65				45th Avenue				TH 65				45th Avenue				Int. Total
	Southbound				Westbound				Northbound				Eastbound				
	Left	Thru	Right	Peds	Left	Thru	Right	Peds	Left	Thru	Right	Peds	Left	Thru	Right	Peds	
6:00	0	102	1	0	3	1	4	0	1	70	0	0	2	0	4	0	188
6:15	0	161	1	0	7	2	1	2	1	70	1	0	1	0	3	0	248
6:30	3	201	4	0	5	1	4	0	2	88	2	0	9	1	8	0	328
6:45	0	198	2	0	0	1	2	0	3	95	0	0	3	3	3	0	310
7:00	2	223	3	0	3	0	4	0	2	112	1	0	1	0	3	0	354
7:15	2	271	3	1	4	4	5	0	3	141	1	1	7	1	3	0	445
7:30	3	329	7	0	2	2	4	0	5	210	1	1	8	1	3	0	575
7:45	8	332	8	0	4	4	4	1	7	156	2	2	5	3	12	0	545
8:00	6	292	10	0	0	4	6	0	7	145	1	3	10	0	9	0	490
8:15	3	286	1	0	4	3	4	3	8	120	3	1	6	0	7	0	445
8:30	2	214	6	0	4	2	6	0	4	135	1	2	2	3	10	0	389
8:45	3	214	6	1	3	0	2	0	9	138	3	0	10	1	8	0	397
9:00	2	185	5	1	4	3	6	1	6	132	3	0	2	1	7	0	356
9:15	3	184	4	0	4	1	5	0	7	122	1	0	6	1	4	0	342
9:30	3	166	8	1	3	1	3	1	13	137	1	0	8	0	6	0	349
9:45	2	144	12	0	3	4	3	0	6	104	0	0	10	0	10	0	298
10:00	4	130	10	1	4	3	2	1	13	146	1	1	14	3	11	0	341
10:15	2	143	7	0	4	3	4	0	10	136	4	0	7	3	10	0	333
10:30	2	157	11	0	5	4	3	0	6	137	1	0	15	1	8	0	350
10:45	3	141	3	0	2	3	1	0	11	144	4	1	21	0	9	0	342
11:00	3	147	13	1	2	6	5	1	16	168	1	1	18	2	8	0	389
11:15	5	164	6	1	2	0	3	2	16	179	1	0	23	0	8	0	407
11:30	3	140	13	2	1	4	3	0	11	174	1	0	27	5	13	1	395
11:45	4	169	8	1	2	5	7	1	19	173	2	0	19	3	11	0	422
12:00	5	158	16	0	6	2	2	0	13	209	8	0	33	2	14	0	468
12:15	8	150	7	2	4	2	3	0	14	200	1	0	23	3	9	0	424
12:30	7	168	14	1	1	1	3	1	13	207	2	2	13	2	10	0	441
12:45	5	169	9	6	2	4	4	1	14	189	3	1	26	3	14	1	442
13:00	8	185	12	2	3	2	7	0	12	217	1	0	26	1	7	0	481
13:15	2	149	7	0	3	5	4	1	16	187	2	0	10	4	18	0	407
13:30	4	172	11	4	2	2	3	1	15	220	4	0	15	3	10	0	461
13:45	2	193	11	1	1	1	5	2	12	190	4	1	13	2	10	0	444
14:00	4	181	13	2	3	6	6	3	21	216	2	0	14	1	10	1	477
14:15	6	204	11	2	8	5	4	1	10	233	4	1	25	4	12	0	526
14:30	3	172	10	1	4	2	6	1	23	223	6	1	22	5	15	0	491
14:45	4	171	8	1	5	4	4	3	18	234	3	1	24	3	10	1	488
15:00	4	174	8	2	3	7	11	1	18	310	2	4	23	4	5	0	569
15:15	10	253	20	2	2	5	7	1	15	298	5	1	27	4	6	2	652
15:30	4	222	14	4	3	4	4	5	9	278	3	0	28	2	13	1	584
15:45	7	210	17	0	4	6	3	3	26	326	3	0	19	4	10	1	635
16:00	5	208	11	6	6	4	5	5	20	330	3	0	31	4	16	0	643
16:15	13	210	14	0	5	4	4	4	26	324	3	0	20	2	11	2	636
16:30	3	196	10	0	7	3	5	1	19	352	3	0	21	6	10	1	635
16:45	7	220	3	1	4	6	3	2	19	333	6	0	28	2	11	3	642
17:00	3	222	8	2	5	8	12	1	29	330	5	0	31	6	10	1	669
17:15	6	240	15	3	2	2	2	2	19	326	3	0	33	3	11	2	662
17:30	5	237	0	3	6	4	4	1	22	343	3	0	19	3	17	0	663
17:45	9	203	9	3	1	7	4	0	25	280	3	0	24	11	11	0	587
18:00	6	208	12	1	3	4	7	2	25	225	3	0	37	5	12	2	547
18:15	5	193	20	2	6	5	6	0	16	225	2	0	30	3	11	1	522
18:30	6	172	15	7	1	8	4	1	20	231	3	0	31	2	16	2	509
18:45	7	179	12	1	3	5	4	0	12	210	3	0	24	5	12	0	476
Total	226	10112	469	69	178	179	227	56	687	10478	129	25	904	131	499	22	24219
Cars+	226	10112	469	69	178	179	227	56	687	10478	129	25	904	131	499	22	24219
Trucks	6	317	10	3	6	1	5	3	10	319	6	1	25	3	4	2	712
% Trucks	2.7	3.1	2.1	4.3	3.4	0.6	2.2	5.4	1.5	3.0	4.7	4.0	2.8	2.3	0.8	9.1	2.9
	3.1				2.1				3.0				2.1				

Location: TH 65 at 45th Avenue
 Count Date: 4/18/2017
 Counted By: JDA



TURNING MOVEMENT COUNT DATA
Heavy Vehicles

Start Time	TH 65				45th Avenue				TH 65				45th Avenue				Int. Total
	Southbound				Westbound				Northbound				Eastbound				
	Left	Thru	Right	Bikes	Left	Thru	Right	Bikes	Left	Thru	Right	Bikes	Left	Thru	Right	Bikes	
6:00	0	9	0	0	0	0	0	0	1	5	0	0	0	0	1	0	16
6:15	0	6	0	0	0	0	0	0	0	7	1	0	0	0	0	0	14
6:30	0	11	0	0	0	0	0	0	0	5	0	0	0	0	0	0	16
6:45	0	13	0	0	0	0	0	0	0	4	0	0	0	0	0	0	17
7:00	0	10	0	0	1	0	0	0	0	8	0	0	1	1	0	0	21
7:15	0	8	0	0	0	0	0	0	0	5	0	0	0	0	0	0	13
7:30	0	12	0	0	0	0	0	0	0	7	0	0	0	0	0	0	19
7:45	0	7	1	0	0	0	0	0	0	12	0	0	0	0	0	0	20
8:00	1	6	0	0	1	0	0	0	0	12	1	0	1	0	0	0	22
8:15	1	13	0	0	0	0	0	0	2	7	2	0	1	0	0	0	26
8:30	0	7	0	0	0	0	0	0	1	5	0	0	0	0	0	0	13
8:45	1	3	0	0	0	0	0	0	0	9	0	0	0	0	0	0	13
9:00	1	4	0	0	0	0	0	0	0	3	0	0	0	0	1	0	9
9:15	0	4	0	0	0	0	0	0	0	4	0	0	0	0	0	0	8
9:30	0	10	0	0	0	0	0	0	0	6	0	0	0	0	0	0	16
9:45	0	3	0	0	0	0	0	0	0	10	0	0	1	0	0	0	14
10:00	0	2	2	0	0	0	0	0	0	3	0	0	0	0	0	0	7
10:15	1	3	1	0	0	0	1	0	0	5	0	0	2	0	0	0	13
10:30	0	5	0	0	0	0	0	0	0	6	0	0	1	0	0	0	12
10:45	0	7	0	0	0	0	0	0	0	13	0	0	1	0	0	0	21
11:00	0	9	2	0	1	0	0	0	1	6	1	0	1	0	0	0	21
11:15	0	6	0	0	0	0	1	0	0	4	0	0	2	0	0	0	13
11:30	0	4	0	0	0	0	0	0	1	5	0	0	1	0	0	0	11
11:45	0	7	0	0	0	0	0	0	0	4	0	0	0	1	0	0	12
12:00	0	4	0	0	0	0	0	0	0	5	0	0	1	0	0	0	10
12:15	0	7	0	1	0	0	0	0	1	4	0	0	0	0	0	0	12
12:30	0	5	0	0	0	0	0	0	0	3	0	0	0	0	0	0	8
12:45	0	9	1	0	0	0	0	0	0	8	0	0	1	0	0	0	19
13:00	1	5	0	0	0	0	0	0	0	3	0	0	0	0	0	0	9
13:15	0	9	0	0	0	0	0	0	0	6	0	0	0	0	1	0	16
13:30	0	3	0	1	0	0	0	0	1	5	0	0	1	0	0	0	10
13:45	0	8	1	0	1	0	0	0	0	1	0	0	2	0	0	0	13
14:00	0	6	1	0	0	0	0	0	0	7	0	0	1	0	0	0	15
14:15	0	9	0	0	0	0	1	1	0	8	0	0	0	0	0	0	18
14:30	0	11	0	0	0	0	0	0	0	8	1	0	1	0	0	0	21
14:45	0	6	0	0	1	1	1	0	1	8	0	0	2	0	0	1	20
15:00	0	7	0	0	0	0	1	1	0	9	0	0	2	0	0	0	19
15:15	0	18	0	0	1	0	0	0	1	8	0	1	1	0	0	0	29
15:30	0	3	1	0	0	0	0	0	0	2	0	0	0	0	1	0	7
15:45	0	3	0	1	0	0	0	0	0	12	0	0	0	0	0	0	15
16:00	0	2	0	0	0	0	0	1	0	5	0	0	0	0	0	0	7
16:15	0	3	0	0	0	0	0	0	0	3	0	0	0	0	0	0	6
16:30	0	3	0	0	0	0	0	0	0	4	0	0	0	0	0	0	7
16:45	0	5	0	0	0	0	0	0	0	7	0	0	0	0	0	1	12
17:00	0	3	0	0	0	0	0	0	0	9	0	0	0	0	0	0	12
17:15	0	4	0	0	0	0	0	0	0	11	0	0	1	0	0	0	16
17:30	0	5	0	0	0	0	0	0	0	8	0	0	0	0	0	0	13
17:45	0	2	0	0	0	0	0	0	0	5	0	0	0	0	0	0	7
18:00	0	2	0	0	0	0	0	0	0	4	0	0	0	0	0	0	6
18:15	0	2	0	0	0	0	0	0	0	3	0	0	0	0	0	0	5
18:30	0	1	0	0	0	0	0	0	0	3	0	0	0	0	0	0	4
18:45	0	3	0	0	0	0	0	0	0	5	0	0	0	1	0	0	9
Total	6	317	10	3	6	1	5	3	10	319	6	1	25	3	4	2	712
Cars+	226	10112	469	69	178	179	227	56	687	10478	129	25	904	131	499	22	24219
Trucks	6	317	10	3	6	1	5	3	10	319	6	1	25	3	4	2	712
% Trucks	2.7	3.1	2.1	4.3	3.4	0.6	2.2	5.4	1.5	3.0	4.7	4.0	2.8	2.3	0.8	9.1	2.9
	3.1				2.1				3.0				2.1				